

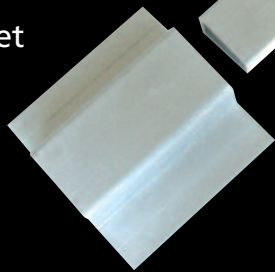
aalco[®]

Lightweight Dropside System

Left and Right
End Caps



Centre Pillar Set



Corner Pillar Set



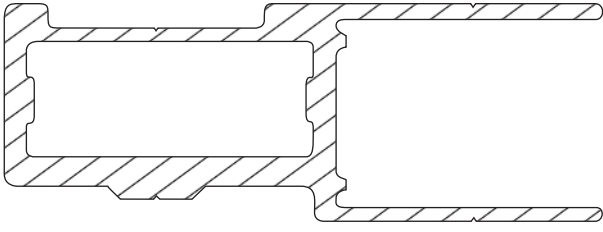
Aalco has extended the stock range of lightweight body-building components to include Heavy Duty Aluminium Dropside Pillars. These provide high strength without the additional weight penalty of steel sections thus maximising payload. Customers can now source a complete lightweight aluminium dropside system from Aalco including:

- Bulkhead Section
- One Piece Dropside Plank
- Runner section
- Side Rave
- Aalcodek Floor Plank

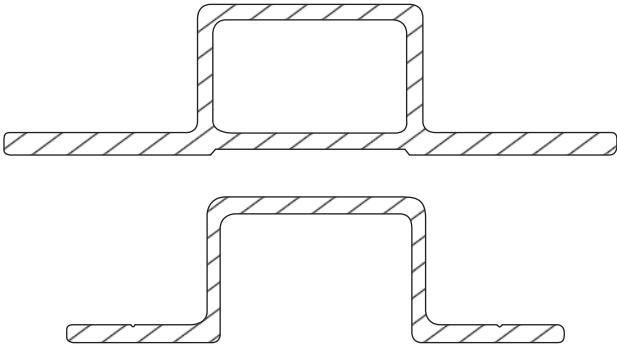


For further information, prices, and a copy of the full RT Products Catalogue please contact your local Aalco Service Centre.

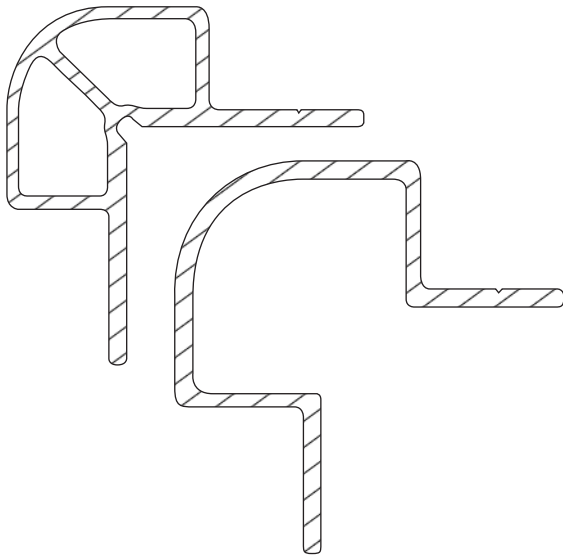
EC8A



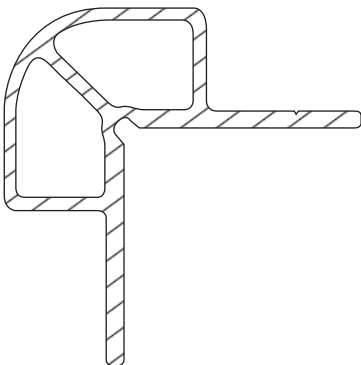
CTR7A



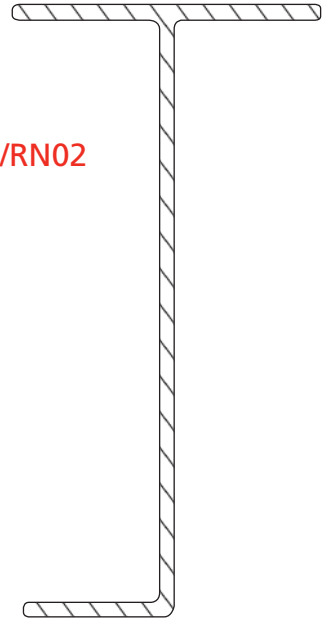
CNR6A



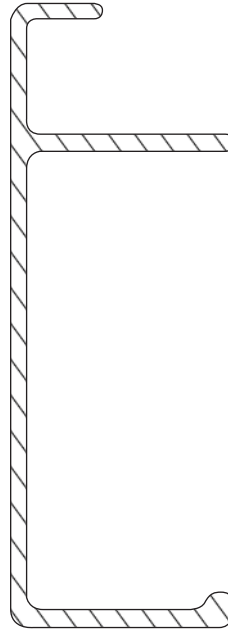
BHCP34



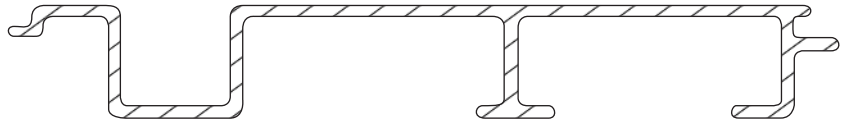
LM/RN02



LM/SR01



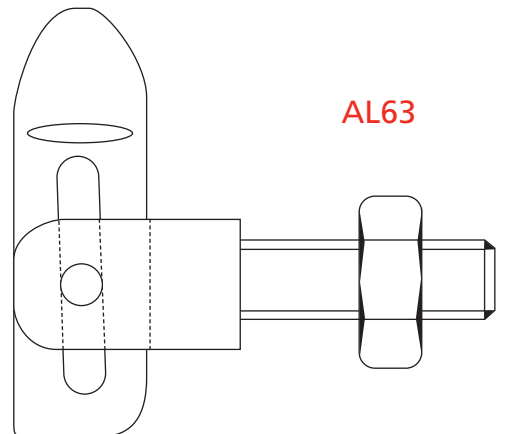
LM/FP01



DS400



AL63





Lightweight Double Dropside

Dimensions: 4150mm Long x 2150mm Wide

Body weight (with full tank): 280 kilos

Total weight with chassis/cab: 1940 kilos

Payload: 1560 kilos

Cutting/Parts List:

Description of part	Aalco Ref.	Size	Quantity
Body Mounting Brackets	-	-	16
Runners	LM/RN02	5000mm Long	2
Channels	-	3" x 1½" x ⅛" x 980mm Long	3
Floor Planks	LM/FP01	2140mm Long	28
Bearers	LM/FB01	2140mm Long	2
Side Raves	LM/SR01	5000mm Long	2
Angles	-	3" x 2" x ¼" x 1400mm Long	2
Corner Pillars	BHCP34	1530mm Long	2
Angle - Top Rail	-	3" x 2" x ¼" x 2150mm Long	1
Angle - Lower Rave Gussets	-	3" x 2" x ¼"	2
Headboard Planks	FP15	2140mm Long	4
Corner Pillars & Sockets	CNR6A-400	400mm Long	1 Set
Centre Pillars & Sockets	CTR7A-400	400mm Long	1 Set
Hinge Sets	DH300lw	-	14
End Caps (Aluminium)	EC8A-400	400mm Long	5 Sets
One Piece Dropside	DS400	2100mm Long	5
Lashing Rings	LR310	-	6
Flat Top Wings	J22a	-	1 Pair

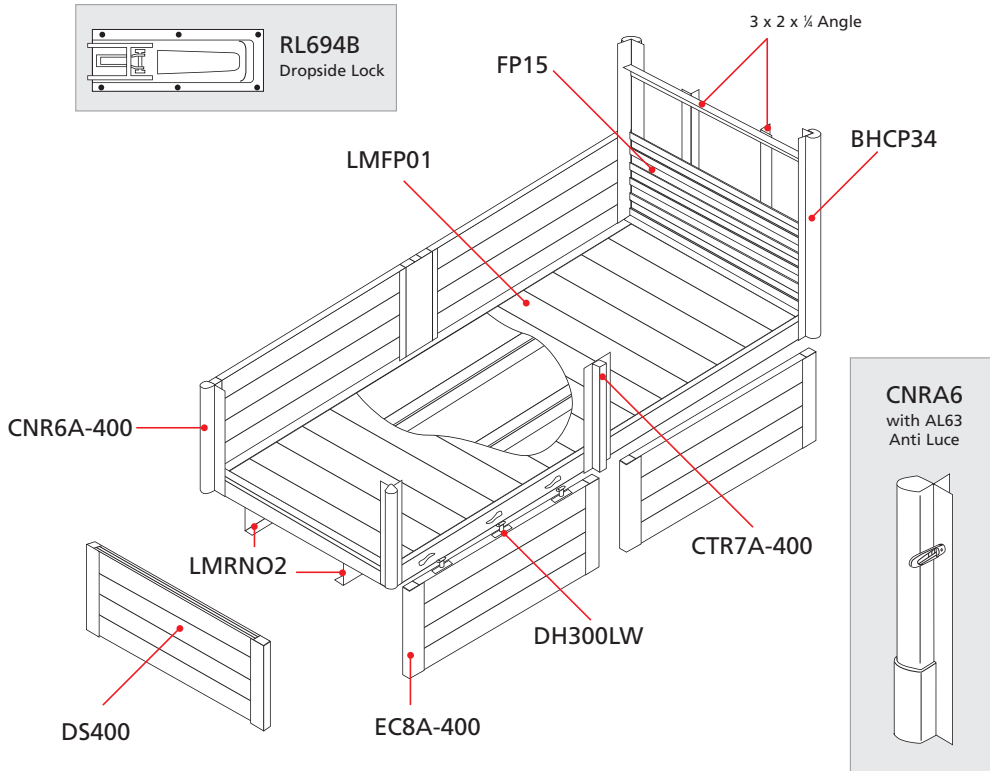


For more information, visit our website:

www.aalco.co.uk

Dropside Assembly

aalco[®]



Description of part

Aalco Ref.

Length mm

Description of part	Aalco Ref.	Length mm
Left and Right Aluminium End Caps with Flush Plastic Inserts	EC8A (4 parts)	400 & 600
Centre Pillar Set comprising Intermediate Pillar and Intermediate Socket	CTR7A (4 parts)	400 & 600
Corner Pillar Set comprising Corner Pillar and Corner Pillar Socket	CNR6A (4 parts)	400 & 600
Bulkhead Pillar (<i>same section as CNR6A</i>)	BHCP34	5000
One Piece Dropside Plank	DS400	2500, 3500 & 4500
Runner Section	LM/RN02	5000
Side Rave	LM/SR01	5000
Aalcodek Floor Plank	LM/FP01	2140
Fastening Lug	AL63	–

Aalco is the UK's largest independent multi-metals stockholder offering customers the benefits of:

- 20 local Service Centres throughout the UK and Ireland
- A complete stock range of RT products
- An inventory that includes aluminium, stainless steel, copper, brass & bronze

For further information, prices, and a copy of the full RT Products Catalogue please contact your local Aalco Service Centre.



aalco[®]

The UK's largest independent
multi-metals stockholder

www.aalco.co.uk

ABERDEEN

Tel 01224 854810
Fax 01224 871982
e-mail aberdeen@aalco.co.uk

AYLESBURY

Tel 01296 461700
Fax 01296 339923
e-mail aylesbury@aalco.co.uk

BELFAST

Tel 02890 838838
Fax 02890 837837
e-mail belfast@aalco.co.uk

BIRMINGHAM

Tel 0121 5853600
Fax 0121 5856864
e-mail birmingham@aalco.co.uk

CHEPSTOW

Tel 01291 638638
Fax 01291 638600
e-mail chepstow@aalco.co.uk

DYFED

Tel 01269 842044
Fax 01269 845276
e-mail dyfed@aalco.co.uk

ESSEX

Tel 01268 884200
Fax 01268 884220
e-mail essex@aalco.co.uk

GLASGOW

Tel 0141 6463200
Fax 0141 6463260
e-mail glasgow@aalco.co.uk

HULL

Tel 01482 626262
Fax 01482 626263
e-mail hull@aalco.co.uk

LEEDS

Tel 0113 2763300
Fax 0113 2760382
e-mail leeds@aalco.co.uk

LIVERPOOL

Tel 0151 2073551
Fax 0151 2072657
e-mail liverpool@aalco.co.uk

MANCHESTER

Tel 01204 863456
Fax 01204 863430
e-mail manchester@aalco.co.uk

NEWCASTLE

Tel 0191 4911133
Fax 0191 4911177
e-mail newcastle@aalco.co.uk

NORWICH

Tel 01603 787878
Fax 01603 789999
e-mail norwich@aalco.co.uk

NOTTINGHAM

Tel 0115 9882600
Fax 0115 9882636
e-mail nottingham@aalco.co.uk

SOUTHAMPTON

Tel 02380 875200
Fax 02380 875275
e-mail southampton@aalco.co.uk

STOKE

Tel 01782 375700
Fax 01782 375701
e-mail stoke@aalco.co.uk

SWANLEY

Tel 01322 610900
Fax 01322 610910
e-mail swanley@aalco.co.uk