

**aalco**<sup>®</sup>



**RT**

**ROAD  
TRANSPORT**

**SYSTEMS &  
COMPONENTS**



Aalco is the UK'S largest independent multi-metals service provider to the Road Transport Industry.

## CONTENTS

FLOORS.....	4
SIDE RAVES.....	18
SIDE GUARDS.....	26
CORNER PILLARS.....	29
CANT RAILS.....	36
ROOFING.....	41
TOP HATS.....	45
DROPSIDE BODIES.....	49
ZEDS & MOULDINGS.....	62
DOOR CAPPINGS.....	66
ALUMINIUM CASTINGS.....	68
CURTAIN TRACK.....	73
GRP SYSTEMS.....	75
CURTAINSIDER BODY.....	91
LIVESTOCK.....	93
TIPPER BODIES.....	95
30MM TIPPER BODY PROFILES.....	101
ALUMINIUM.....	105
STAINLESS STEEL.....	111
AALCO SERVICE CENTRES.....	114
NOTES PAGES.....	116

## INTRODUCTION TO AALCO

Your first choice supplier for all your metal needs.

Aalco is the UK's largest independent multi-metals stockholder, with unrivalled stock of aluminium, stainless steel, copper, brass and bronze in all semi-finished forms.

### Flexible, responsive, trusted service

We carry over 10,000 stock items covering a wide range of grades/alloys, shapes and sizes, and can cater for all your metal needs - from industry standards to special or bespoke items for particular applications or individual customers. With 18 service centres nationwide and the largest fleet of delivery vehicles in the industry, Aalco delivers on-time to every corner of the UK. Every Aalco service centre holds stocks to meet the immediate needs of customers in their local area, backed up by bulk stocks held at a central warehouse.

Everything we do at Aalco is done with the customer in mind, and we are a trusted supplier to organisations of all sizes from small local businesses to major multinational corporations. Our service is responsive and competitive, and customers benefit from a cost-effective and reliable single source. No order is too large or too small and we supply anything from single item orders to major JIT contracts, tailoring this service to the individual needs of every customer.

Whatever your requirement, in whatever quantity, your local Aalco service centre is ready and willing to satisfy your needs.

If you don't see what you want within these pages, give us a call - our range is continually expanding!

 [aalco.co.uk](http://aalco.co.uk)

### DISCLAIMER

The information contained herein is based on our present knowledge and experience and is given in good faith. However, no liability will be accepted by the Company in respect of any action taken by any third party in reliance thereon.

As the products used herein may be used for a wide variety of purposes and as the Company has no control over their use, the Company specifically excludes all conditions and warranties expressed or implied by statute or otherwise as to dimensions, properties and/or their fitness for any particular purpose. Any advice given by the Company to any third party is given for that party's assistance only and without any liability on the part of the Company.

Any contract between the Company and a customer will be subject to the Company's Conditions of Sale. The extent of the Company's liabilities to any customer is clearly set out in these Conditions; a copy of which is available on request.

Weights

All weights shown in this publication are for guidance only. They are calculated using nominal dimensions and scientifically recognised densities. Please note that in practice, the actual weight can vary significantly from theoretical weight due to variations in manufacturing tolerances and compositions.

Aalco is a registered trademark of Aalco Metals Ltd.

# FLOORS

**FLOORING DIAGRAM** Page 5

**RUNNERS & BEARERS**

FB1	Page 6
FB4	Page 6
LM/RN02	Page 6
FB58	Page 7
FB8	Page 7
FB11	Page 8
FB2	Page 8
Galvanised Steel Lipped Runners / Bearers	Page 9
Galvanised Steel Plain Runners	Page 9

**FLOOR PLANKS**

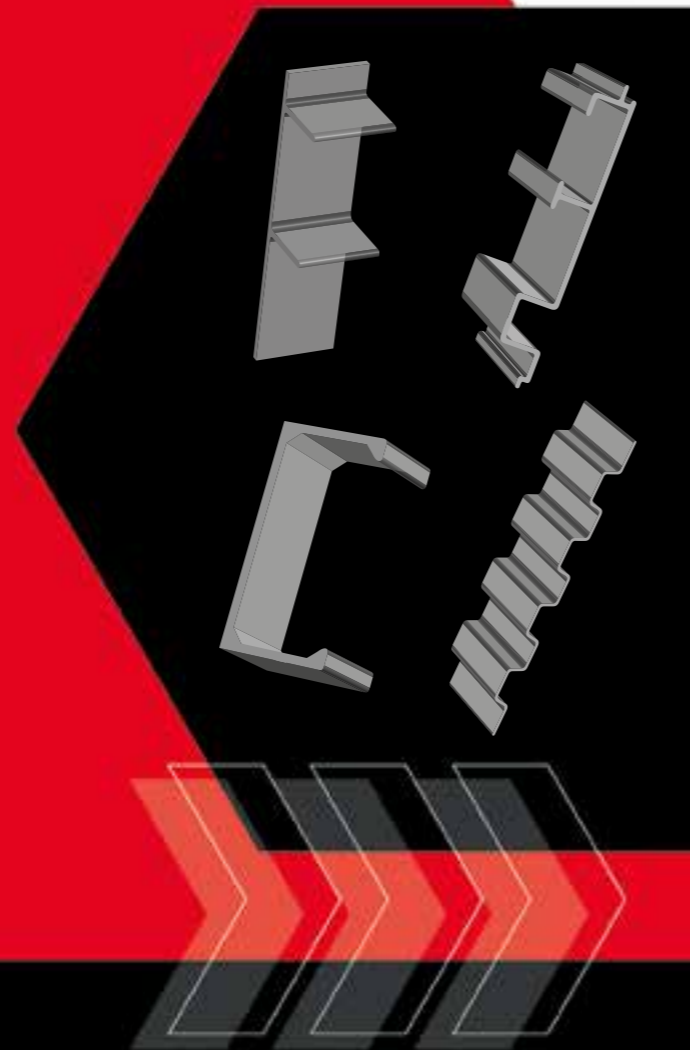
LM/FP01 - AalcoDek	Page 10
FP12 (9" smooth)	Page 10
FP24	Page 10
FP1 (8" smooth)	Page 11
FP2 (8" ribbed)	Page 11
FP4	Page 12
FP15	Page 12

**FLOORING MATERIALS**

Anti-Slip Flooring	Page 13
AalcoMesh	Page 14
Aalco HexaGrip	Page 14
AalcoTrans	Page 14
Technical Data	Page 15
EGL laminate	Page 16
Keruing	Page 16

**KICK STRIPS**

KS1	Page 27
KS456	Page 27
GRP15	Page 27



**Side Raves**  
SR3, SR4, SR5,  
SR11, SR22, SR56,  
SR61, SR1P, SR2P

**Galvanised v-groove**  
RSRV125

**Aluminium Floor Planks**  
FP1, FP2, FP12, FP24

AalcoMesh (9mm - 30mm),  
Aalco HexaGrip (9mm - 30mm)  
and AalcoTrans (24mm & 27mm).  
Keruing and EGL laminate



**Aluminium Runners**  
FB1, FB58

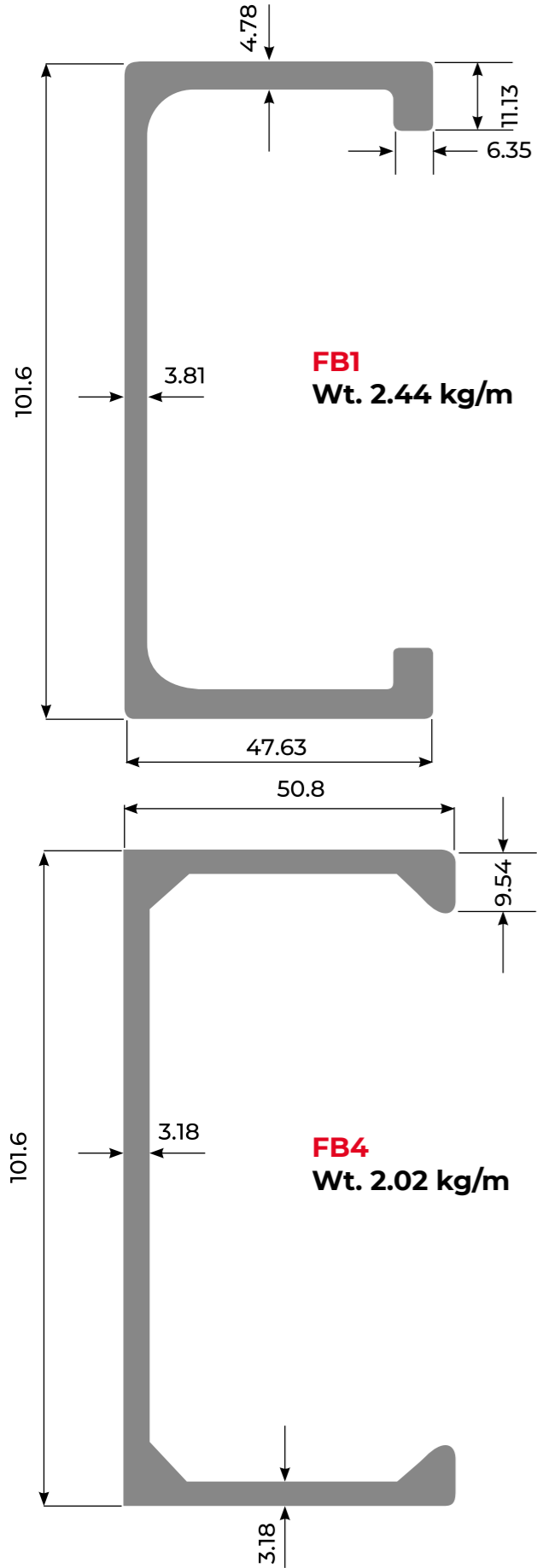
**Galvanised Runners**  
GB3-7620, GR5-100-6,  
GR5-100-7, GR5-100-9,  
GR5-127-7, GR5-127-9,  
GR5-150-7, GR5-150-9

**Aluminium Bearers**  
FB1, FB4, FB8

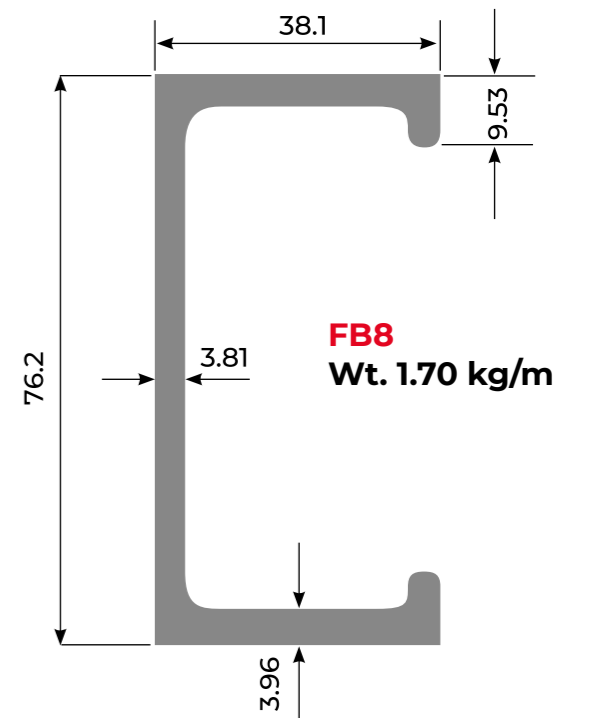
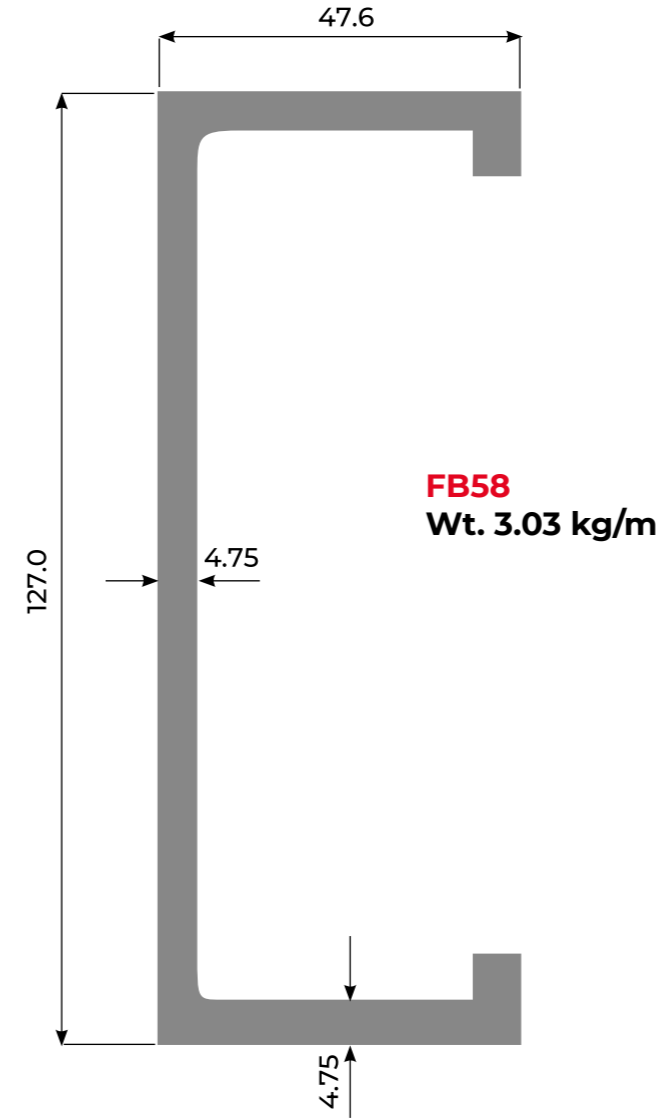
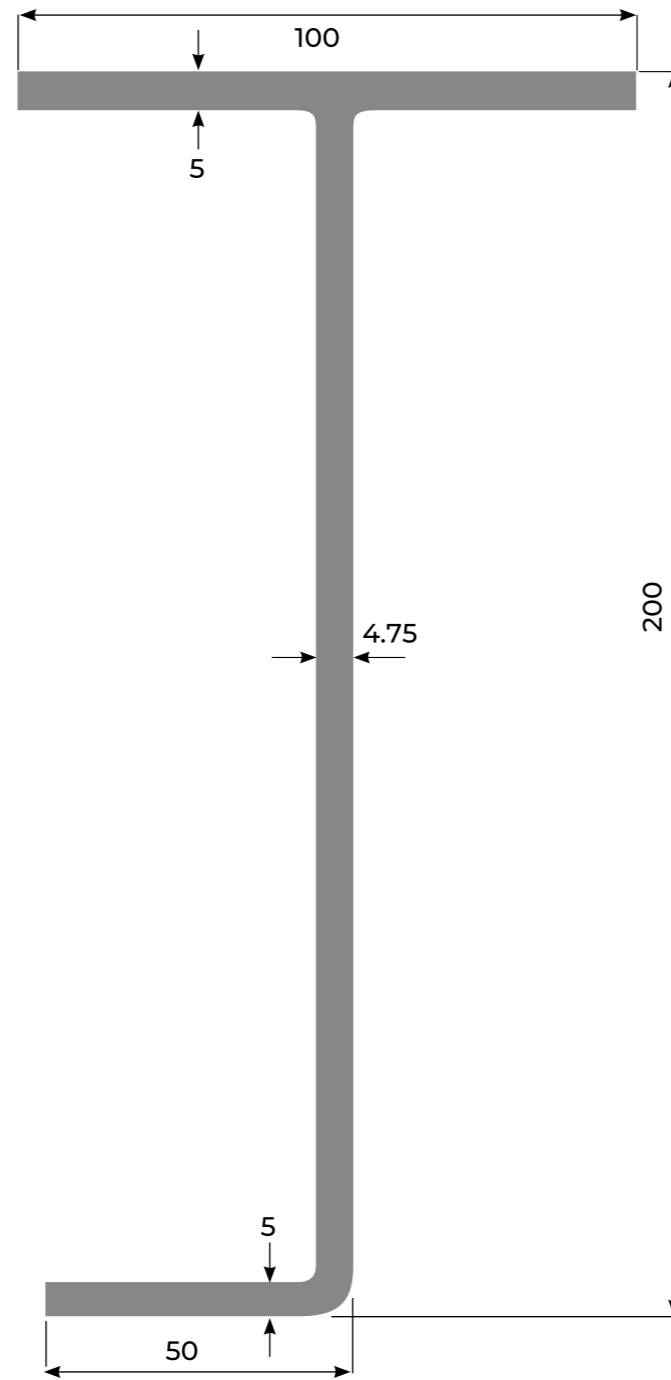
**Aluminium Rear Bearers**  
FB1, FB2  
(note only one used per build)

**Galvanised Bearers**  
GB2-2134, GB23-2438, GB23-2540,  
GB23-2550, GB3-2438, GB3-2550

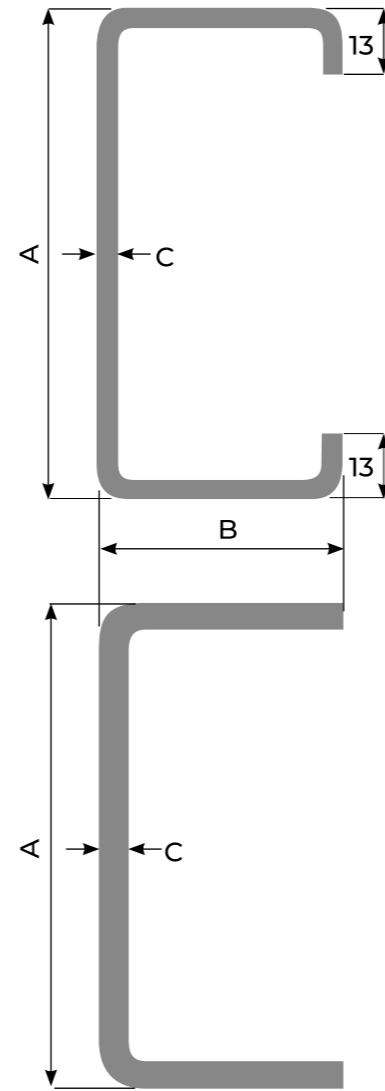
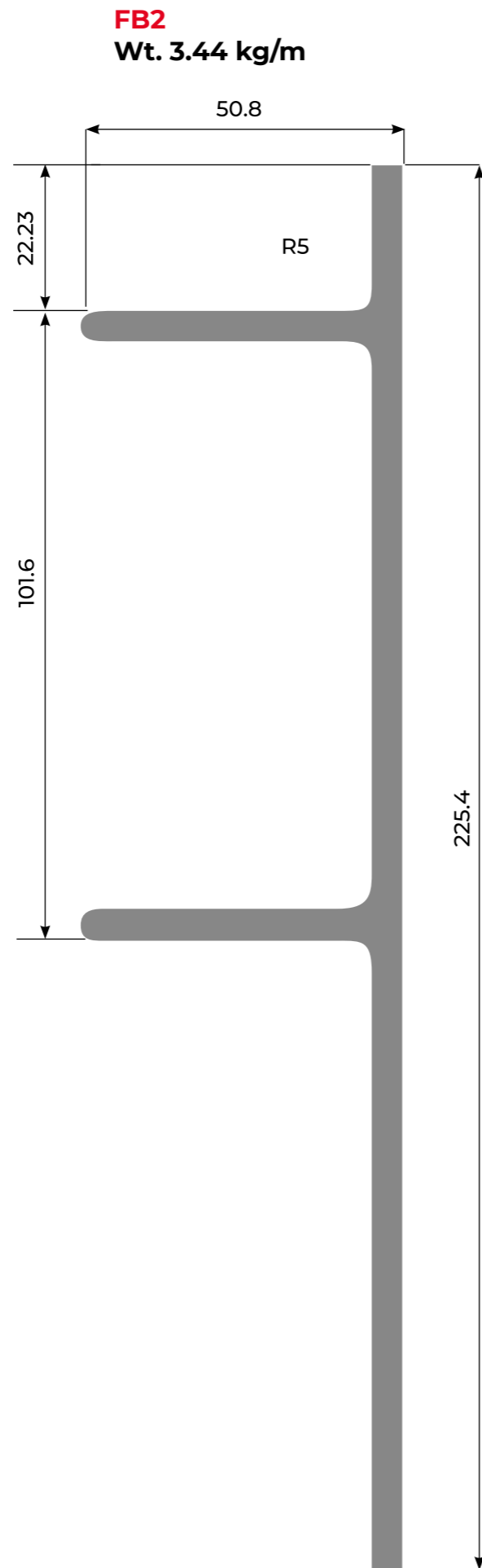
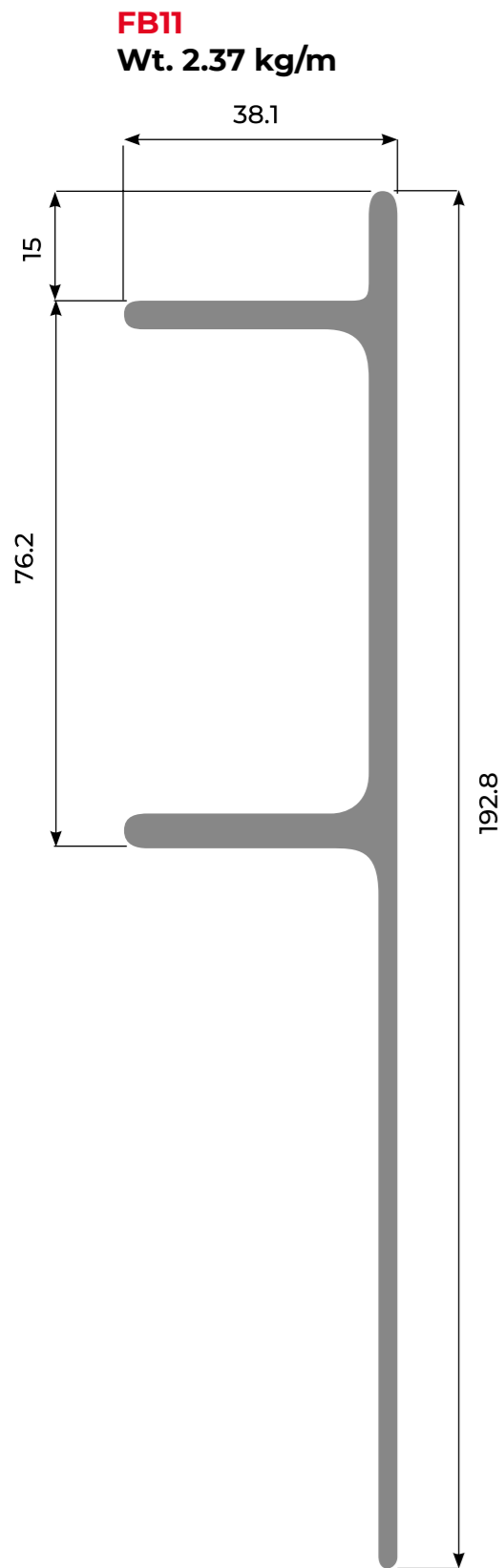
Please note other sizes are available. Bearer spacings are recommended at 400mm



**LM/RN02**  
Wt. 2.61 kg/m



## RUNNERS AND BEARERS (RBA)



## RUNNERS AND BEARERS (RBG)

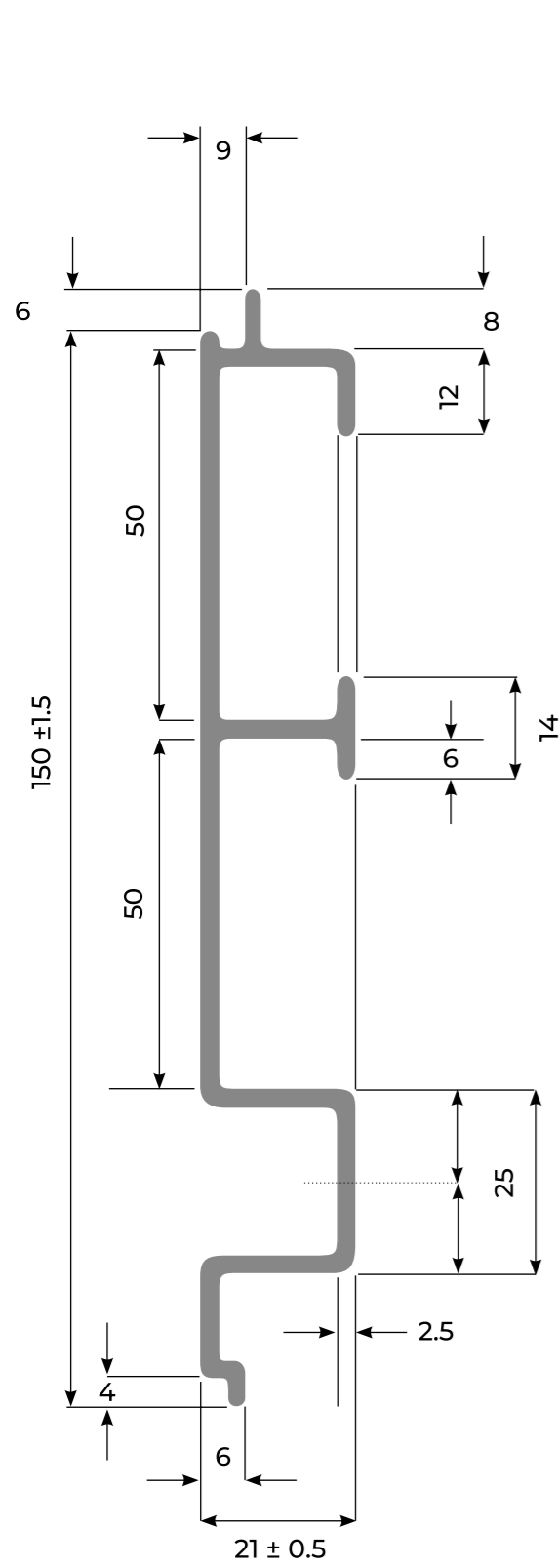
Galvanised Steel Lipped Runners/BearersO/D

Aalco Part No	Description	A	B	C	Length	Weight
GB2-2134	Lipped Channels	75	50	2	2134mm	5.6 kg
GB23-2438	Lipped Channels	100	50	2.3	2438mm	8.9 kg
GB23-2550	Lipped Channels	100	50	2.3	2550mm	9.3 kg
GB3-2550	Lipped Channels	100	50	3	2550mm	12.1 kg
GB3-7620	Lipped Channels	100	50	3	7600mm	36.3 kg
GB3-9144	Lipped Channels	100	50	3	9144mm	43.4 kg

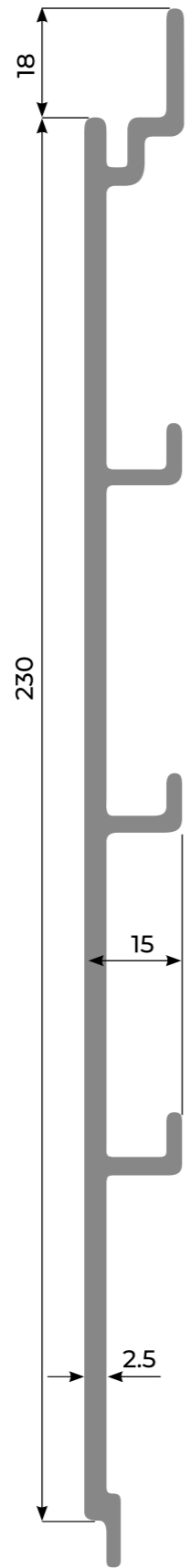
Galvanised Steel Plain Runners - Main Sides

Aalco Part No	Description	A	B	C	Length	Weight
GR3-130-7	Plain Channels	130	50	3	7600mm	36.1 kg
GR3-150-7	Plain Channels	150	50	3	7600mm	39.3 kg
GR3-150-9	Plain Channels	150	50	3	9144mm	47.1 kg
GR5-100-7	Plain Channels	100	50	5	7600mm	53.9 kg
GR5-100-9	Plain Channels	100	50	5	9144mm	64.6 kg
GR5-127-7	Plain Channels	127	50	5	7600mm	61.3 kg
GR5-127-9	Plain Channels	127	50	5	9144mm	73.6 kg
GR5-150-7	Plain Channels	150	50	5	7600mm	68.8 kg
GR5-150-9	Plain Channels	150	50	5	9144mm	82.6 kg

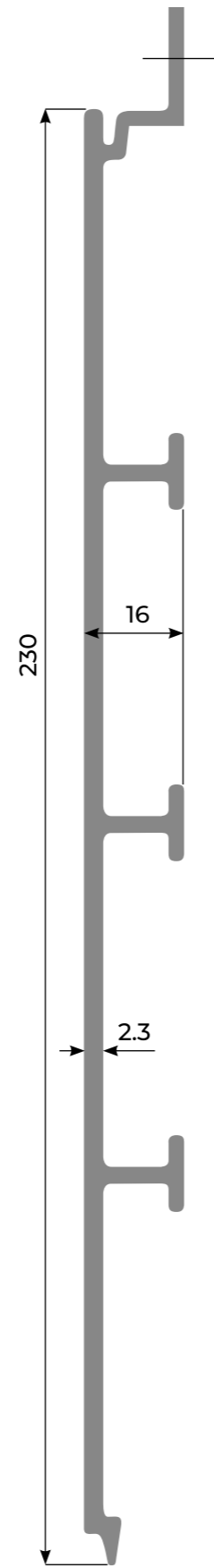
**LM/FP01 - AalcoDek**  
Wt. 1.44 kg/m



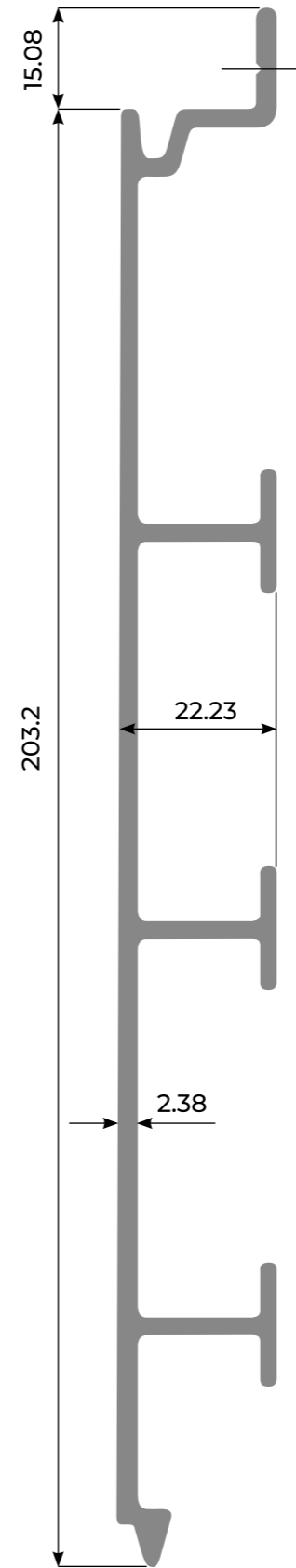
**FP12 (9" smooth)**  
Wt. 2.38 kg/m



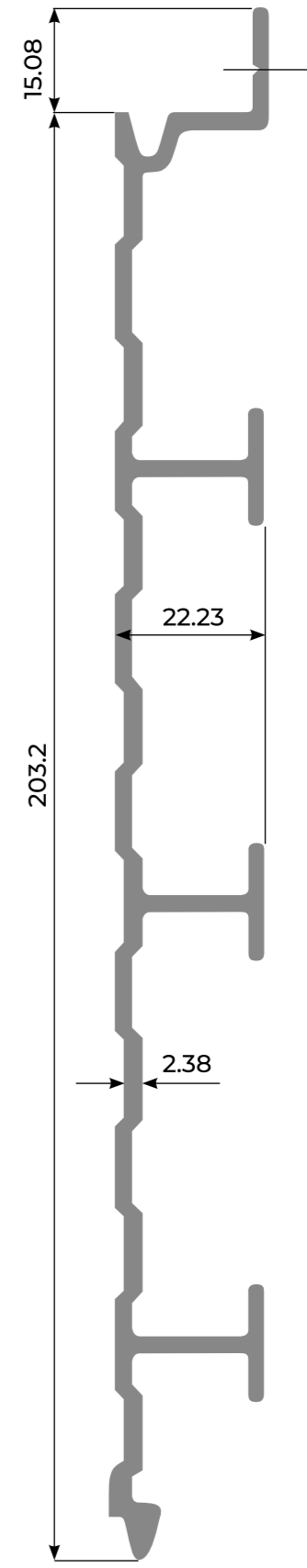
**FP24**  
Wt. 2.14 kg/m



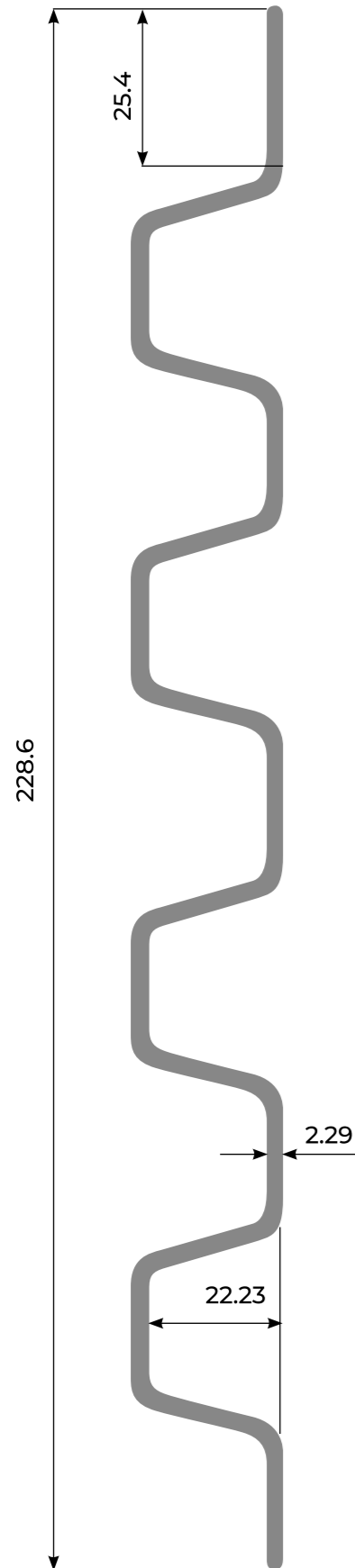
**FP1 (8" smooth)**  
Wt. 2.34 kg/m



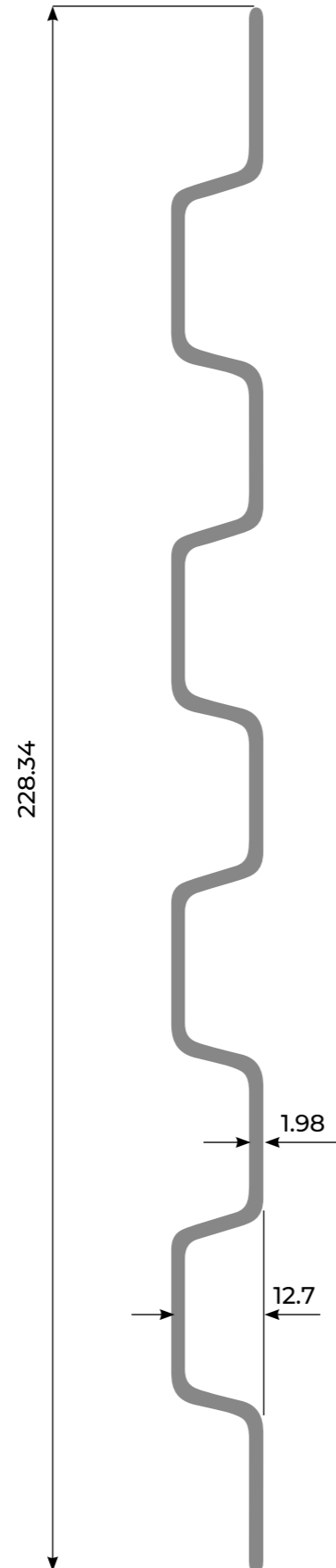
**FP2 (8" ribbed)**  
Wt. 2.38 kg/m



**FP4**  
Wt. 2.17 kg/m



**FP15**  
Wt. 1.52 kg/m



**Anti-Slip Phenolic Mesh Flooring**

Aalco stocks a wide range of 100% European Birch, FSC® certified anti-slip plywood products offering customers a much improved choice for their RT flooring needs.

Our anti-slip flooring features quality European birch plywood in which veneers are bonded with phenolic “weather and boil proof” glue lines throughout known as WBP plywood. The anti-slip face is produced with a heavier weight of phenolic film or multi layer special film pressed with a patterned platen (MESH, HEXA or TRANS) to create a slip-resistant surface.

We recognise that today’s market offers many different anti-slip flooring panels and they often differ in quality. Aalco wants to give its customers the assurance that each batch delivered comes from the same manufacturer and will meet your quality expectations. Original Aalco Flooring panels can be recognised by the RT logo (below) printed on the smooth side of the panels.

**Benefits**

**Slip Resistance**

The patterned film face provides slip resistance and a hard-wearing surface. Taber Test results (A11) show the range of results/options available.

**Predictable Performance**

Tight Quality Control in selection of materials and manufacture ensures consistent performance.

**Stability**

The high temperature pressing of 1.4mm thick birch veneers together with the thick film face gives long life and wear resistance.

**Film Faced Reverse**

The smooth film face on the reverse provides protection from damp environments.

**Environmentally Friendly**

Our anti-slip plywood is FSC certified.

**Guidance For Installation**

**Re-sealing of Cut or Drilled Areas**

Our phenolic anti-slip plywoods are edge sealed at the factory. For long life, all cut edges and drilled holes must be sealed before fixing. Water entering unsealed areas can cause localised swelling and reduce the service life of the plywood.

**Fixings**

Galvanised or stainless steel fixings will resist corrosion and unsightly damage to the board.

**Mechanical Support**

Adequate mechanical support will prevent excessive flexing of the board in service and reduce the possibility of fracturing the phenolic coating.

**Regular Maintenance**

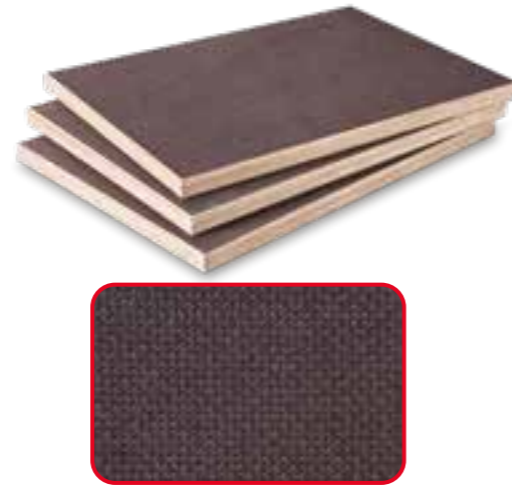
The boards require minimal maintenance in normal use. However, removal of any build-up of dirt and algae on the mesh surface will prevent reduction of slip resistance.

**AalcoMesh**

AalcoMesh is a top quality, mesh patterned birch plywood panel. It has excellent slip and wear resistance as well as market leading durability.

Thickness available: 9mm – 21mm

Sheet Size
2500 X 1220 X 12mm
2500 X 1220 X 15mm
2440 X 1220 X 18mm
2500 X 1220 X 18mm
2500 X 1220 X 21mm
3000 X 1500 X 15mm
3000 X 1500 X 18mm



**Aalco HexaGrip**

Aalco HexaGrip offers an improved slip and wear resistance combined with a decorative appearance of hexa pattern. Quality birch plywood overlayed with 220g/m2 phenolic film to the face, backed with 120g/m2 balancer, makes Aalco HexaGrip an excellent RT flooring panel.

Thickness available: 9mm – 30mm

Sheet Size
2500 X 1220 X 15mm
2500 X 1220 X 18mm
2500 X 1220 X 21mm



**AalcoTrans**

AalcoTrans is a solution for demanding RT flooring applications where high wear resistance and durability are key. Manufactured in Europe, AalcoTrans offers the durability of birch plywood combined with the special, hard wearing thick multi layer film with the imprinted waffle (square) pattern which offer one of the highest Taber Value on the market, over 10,000 rounds (based on independent lab test).

Sheet Size
2500 X 1220 X 24mm
2500 X 1220 X 27mm



The above sizes are stocked in the standard dark brown with 220g/m2. Other options: cut size, CNC machining, T&G, different film grammages and colours, special construction available on request. Original Aalco Flooring panels can be recognised by the RT logo imprinted on the smooth side of plywood. Plywood without logo is also available on a forward order basis

**Technical Data**

**Product**

Phenol film faced plywood in which film is applied by hot pressing

**Structure**

Cross built construction plywood

**Material**

European birch plywood, FSC certified

**Covering**

**AalcoMesh**

Dark brown phenol film (anti-slip side 220g/m2, reverse 120g/m2)

**Aalco HexaGrip**

Grip - dark brown phenol film (anti-slip side 220g/m2, reverse 120g/m2)

**AalcoTrans**

Black hard wearing multilayer film (anti-slip side thick multilayer, reverse 120g/m2)

**Taber Test Value**

Product	Film Thickness (mm)	Colour	Taber Test Value
AalcoMesh	220g/m2	Dark Brown	600
Aalco Hexagrip	220g/m2	Dark Brown	600
Aalco Trans	special hard wearing film	Black	10400

**Length and Width Tolerance**

Tolerance according to EN 315 ± 3.5mm.

**Thickness Tolerances (to EN 315)**

Nominal Thickness (t) mm	Tolerance on Nominal Thickness (mm)	Tolerance Within One Panel (mm)
≥ 6.5	+(0.2 + 0.03 t)	0.6
≤ 25	-(0.4 + 0.03 t)	
> 25	+(0.0 + 0.05 t)	0.8
≤ 30	-(0.4 + 0.05 t)	
> 30	+(0.0 + 0.03 t)	0.8
	-(0.4 + 0.03 t)	

**Squareness**

2mm /1m.

**Quality Requirements**

Categories of Characteristic	Range of Tolerance
Mat Spots	permitted up to 20cm2, up to a number 2pcs / 1m2
Scratch e.g. because of pressing plate	permitted occasionally
Cracks of film on middle of board or through board	not permitted
Defects at the edge of the panel due to cracks of film and parting	permitted up to 2mm from the edges
Streak, fogging colour on film surface	permitted
Visible unevenness because of the surface of the wood	permitted

ATTENTION! Sunlight exposure can change the colour of the film

**Distortion – cup, bow, twist**

In plywood up to 10mm thick distortion is not taken into consideration so the distortion is unlimited. In plywood 10mm thick and thicker distortion is permitted up to 10mm/ 1m of length.

**Bonding quality**

Bonding quality acc. to PN-EN 314-2/class 3 (DIN BFU 100, BS 1203 WBP).

**Formaldehyde release**

Class E1 acc. to PN-EN 636.

**Moisture content plywood:**

4-12%.

(Other conditions can be agreed between the parties.)

**Approvals**

Aalco source this product range from ‘PAGED’, a leading European manufacturer of Plywood products with manufacturing processes and procedures conforming to all relevant standards

The company’s Integrated Management System is approved to ISO 9001: 2015

Environmental Procedures are approved to ISO 14001: 2015

Health & Safety Procedures are approved to ISO 45001: 2018

FSC Certified for Chain of Custody (CoC) to FSC-STD-40-004 V3-1:2021

**EGL Laminate**

Edge Glued Laminate that with care can be crosscut and drilled to suit almost any size of floor

**Outers**

Keruing or Kapur for hardness

**Inners**

Sepetir or mixed red hardwood for rigidity and lighter weight

**Profile:** Machined to half lap pattern with 'crusher bead' to allow expansion without distortion

**Width:** 305mm face / 319mm overall

**Thicknesses:** 22mm & 28mm

**Lengths:** Up to 45ft

**Standard lengths (feet):** 20, 25, 26, 28, 30, 45

**Weight per foot:** 22mm - 1.35kg / 28mm 1.9kg



**Keruing Half Lap Planking**

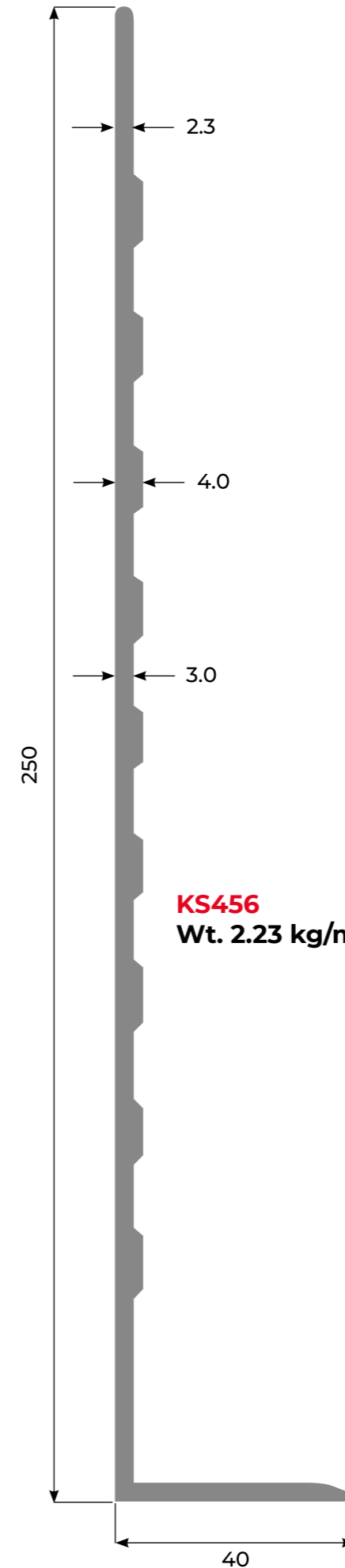
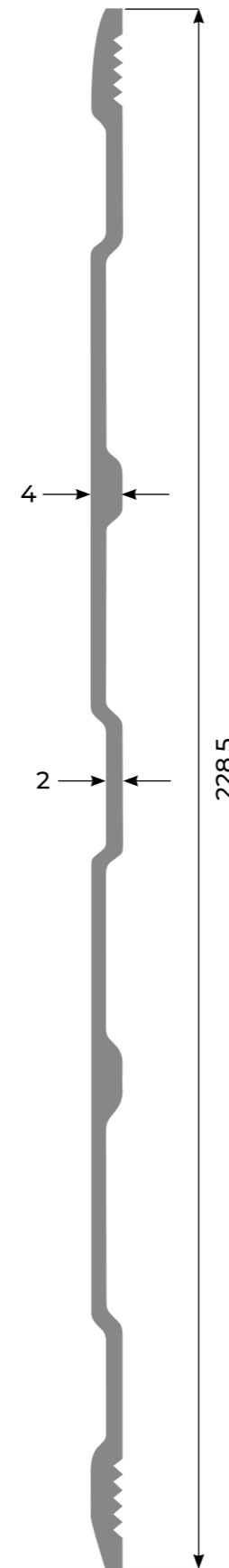
Available in 22mm and 28mm from stock. Other thicknesses available by request.

Available in lengths from 10ft to 26ft

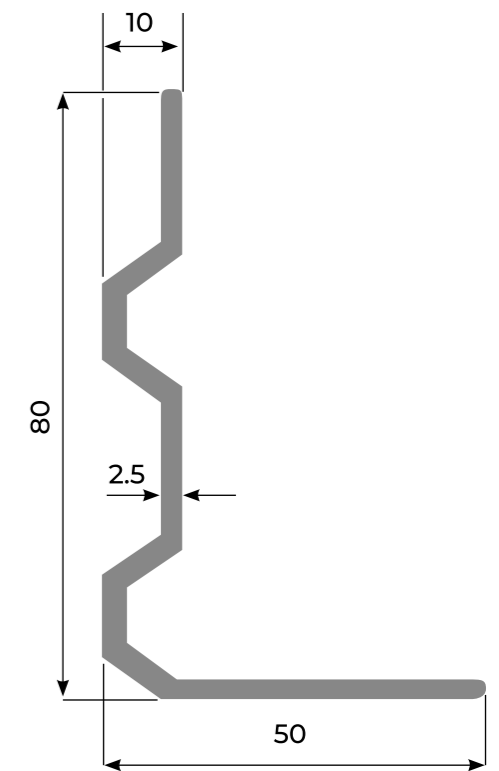
Weight per linear metre is 3.2kg for the 22mm thick and 4.06kg for the 28mm thick



**KS1**  
Wt. 1.46 kg/m



**GRP15**  
Wt. 0.92 kg/m



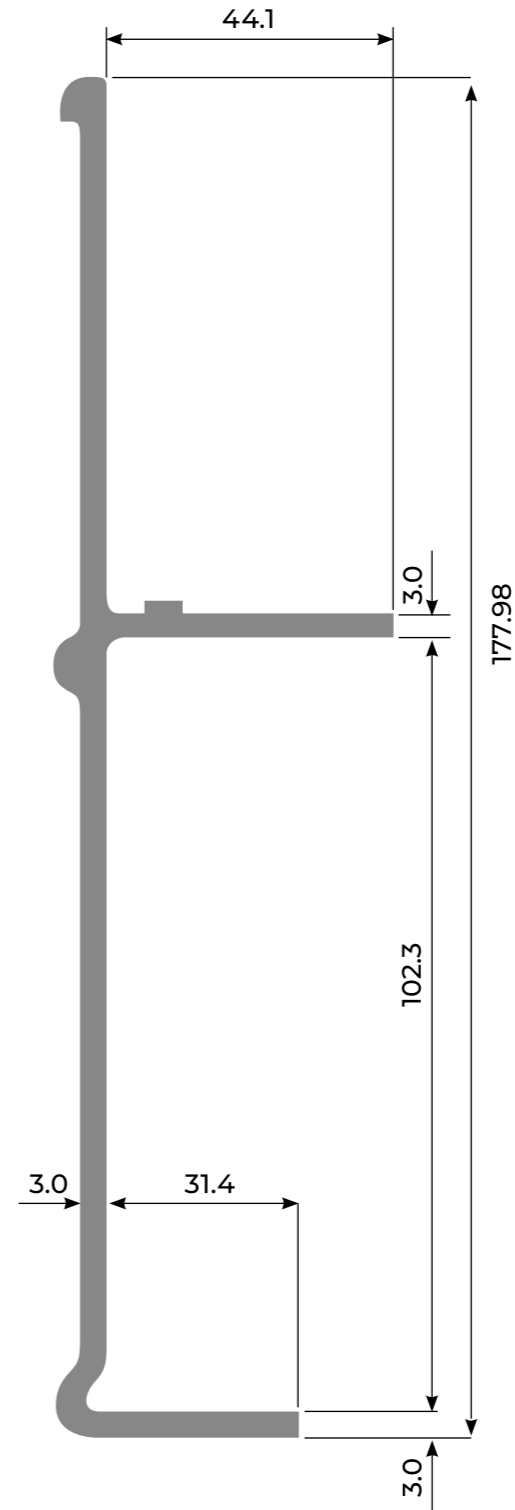
# SIDE RAVES

**SIDE RAVES**

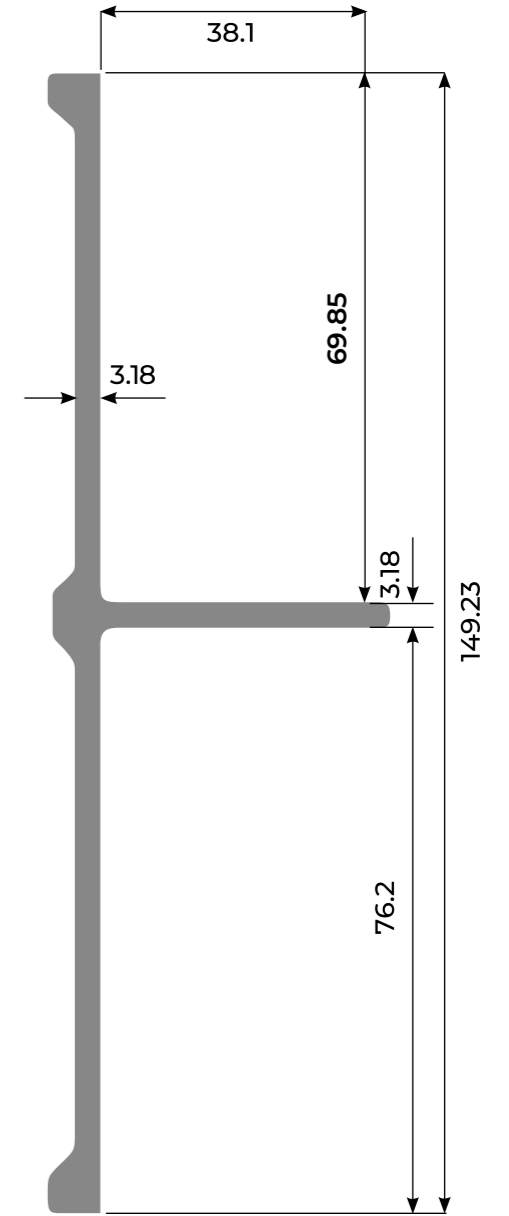
SR56	Page 19
SR61	Page 19
SR1P	Page 20
SR2P	Page 20
SR4	Page 21
SR3	Page 21
LM/SR01	Page 22
SR17	Page 22
SR11	Page 23
SR5	Page 23
RSRAV/9	Page 24
RSRV125/7	Page 25
RSRV125/9	Page 25



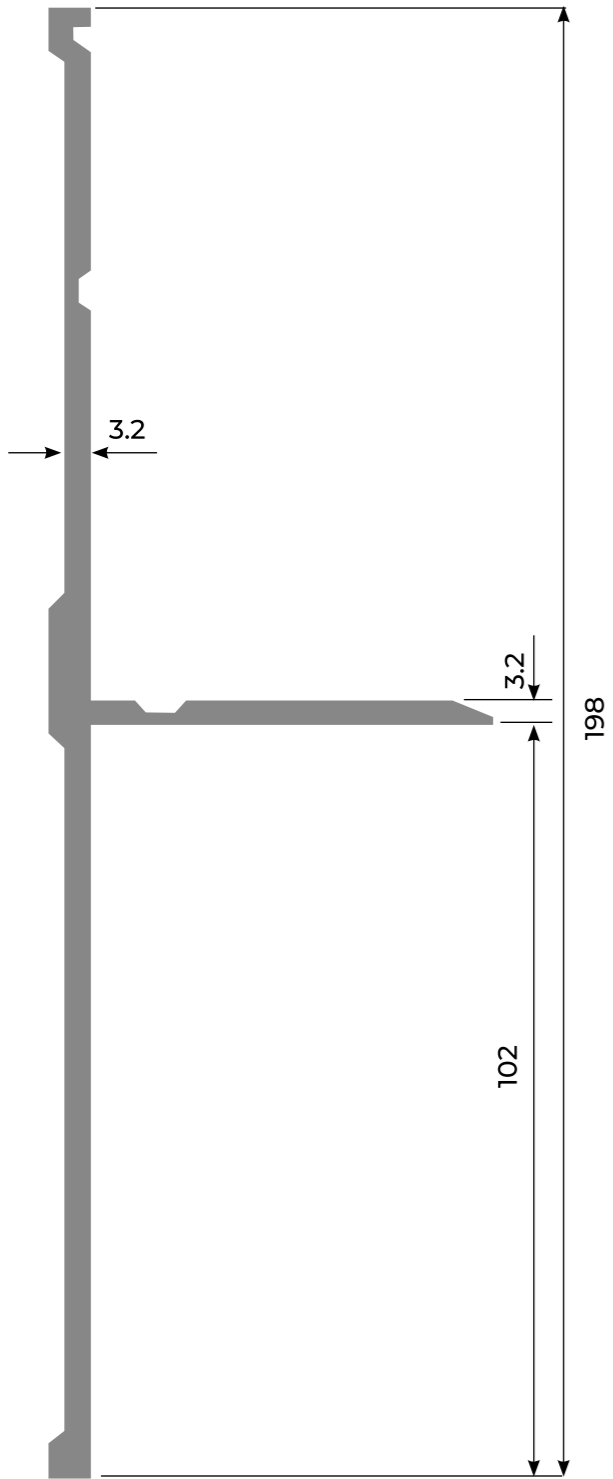
**SR56**  
Wt. 2.10 kg/m



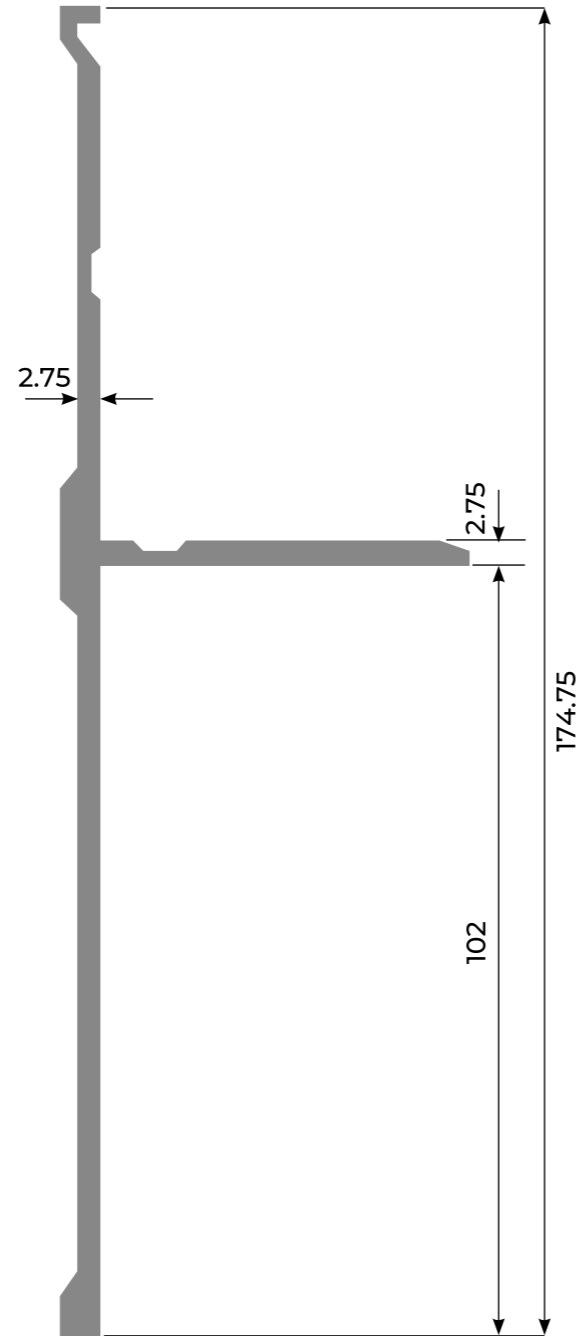
**SR61**  
Wt. 1.8 kg/m



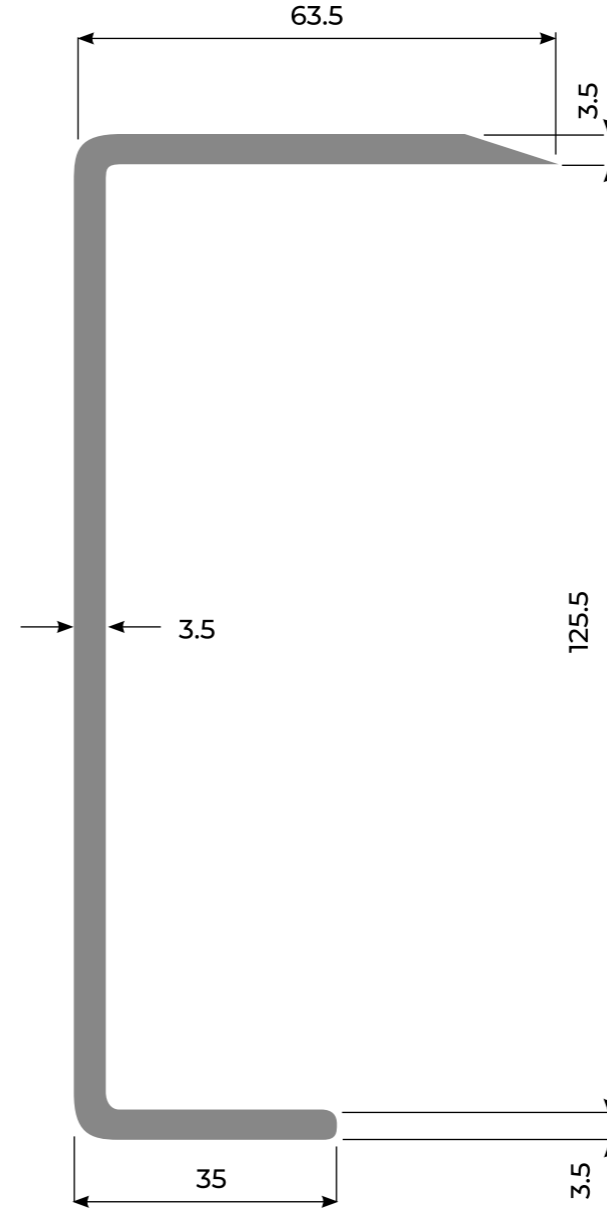
**SR1P**  
Wt. 2.26 kg/m



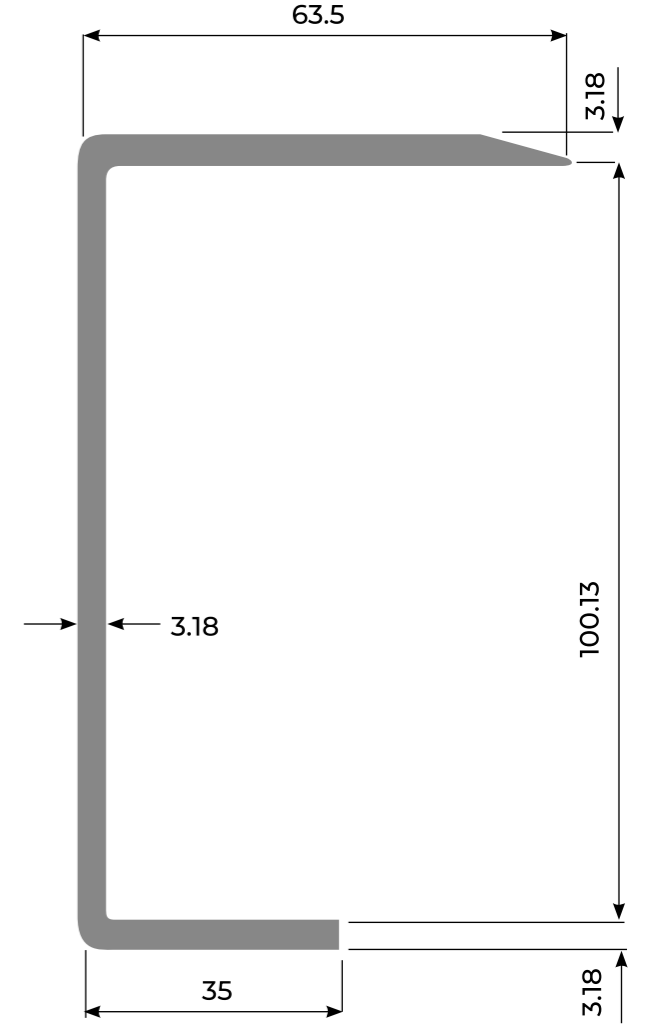
**SR2P**  
Wt. 1.78 kg/m



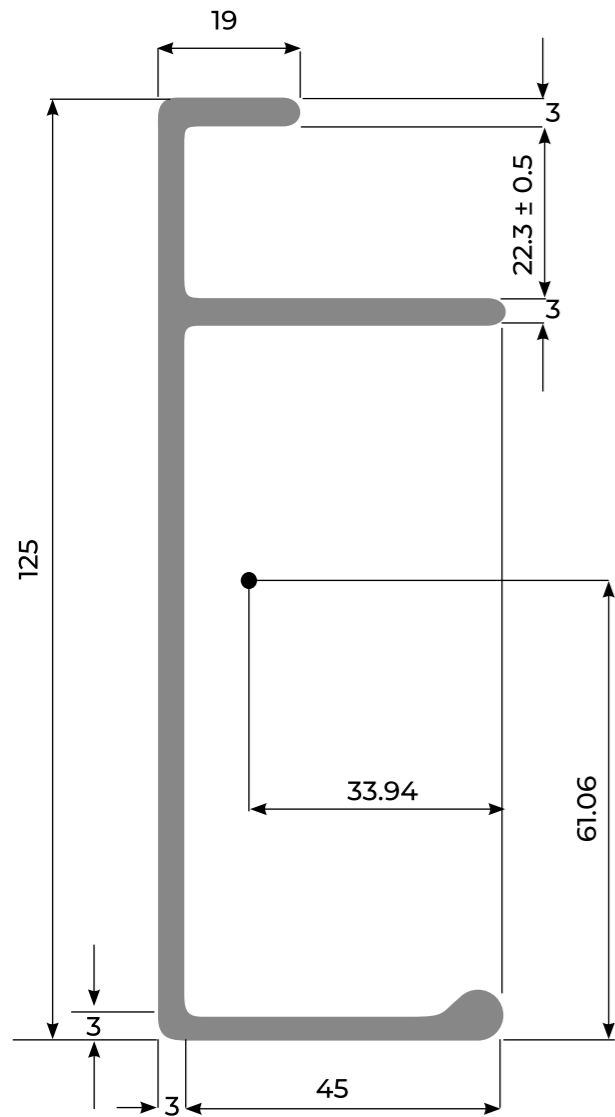
**SR4**  
Wt. 2.07 kg/m



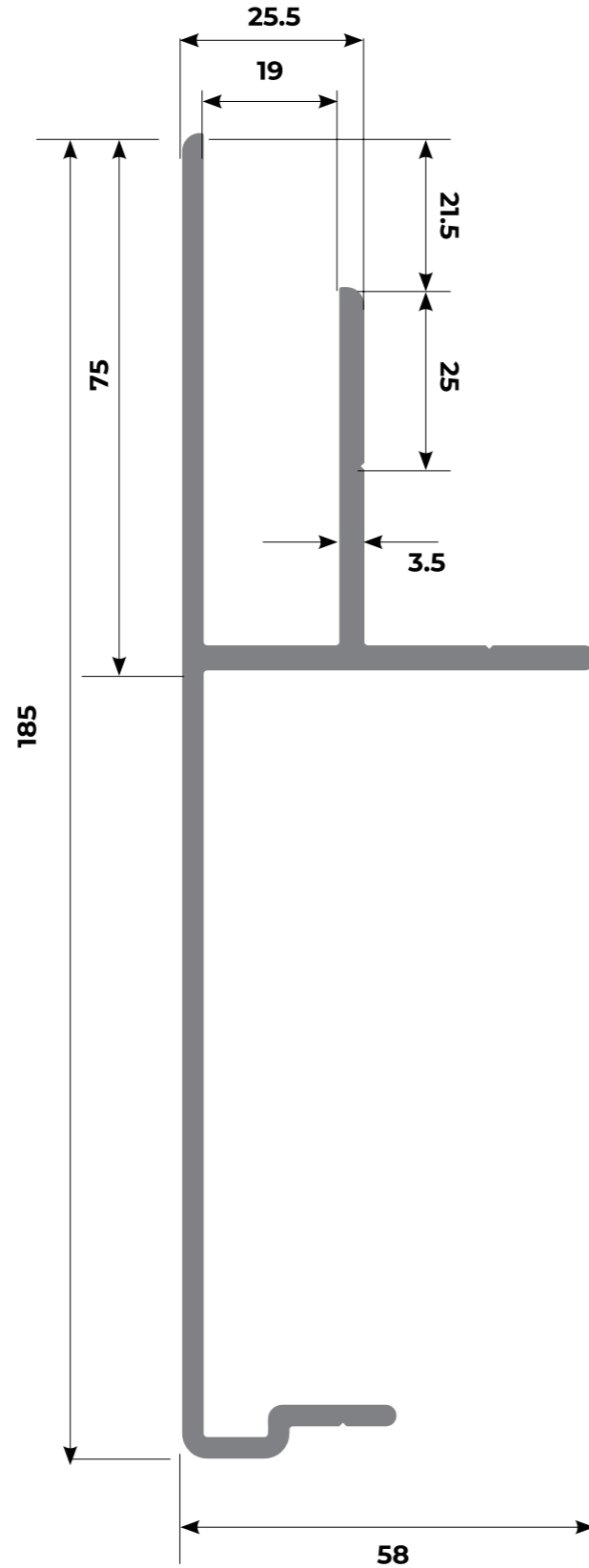
**SR3**  
Wt. 1.66 kg/m



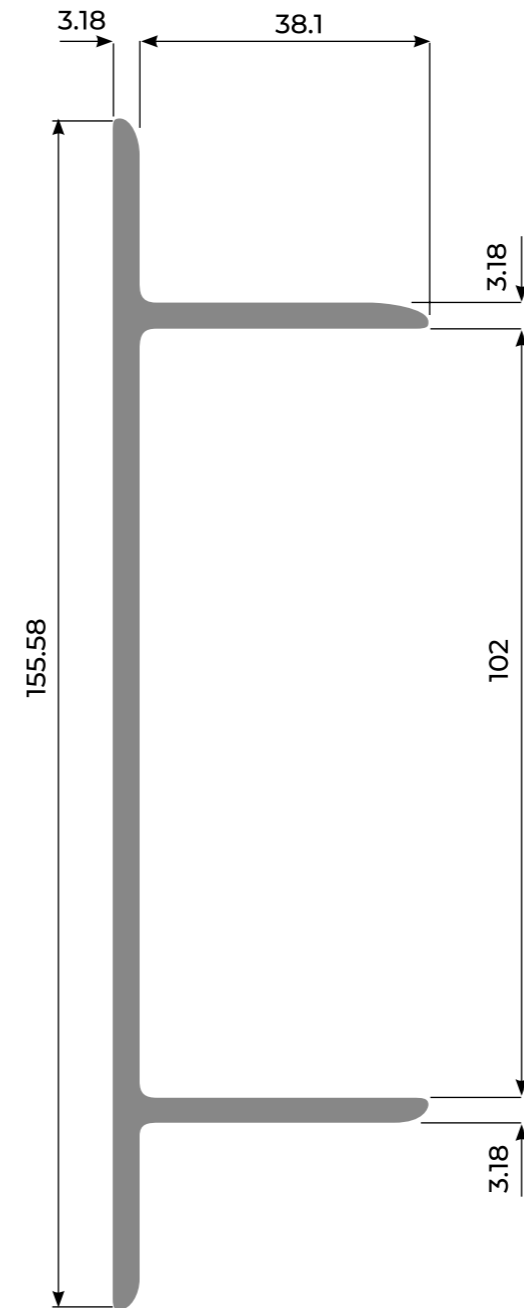
**LM/SR01**  
Wt. 1.86 kg/m



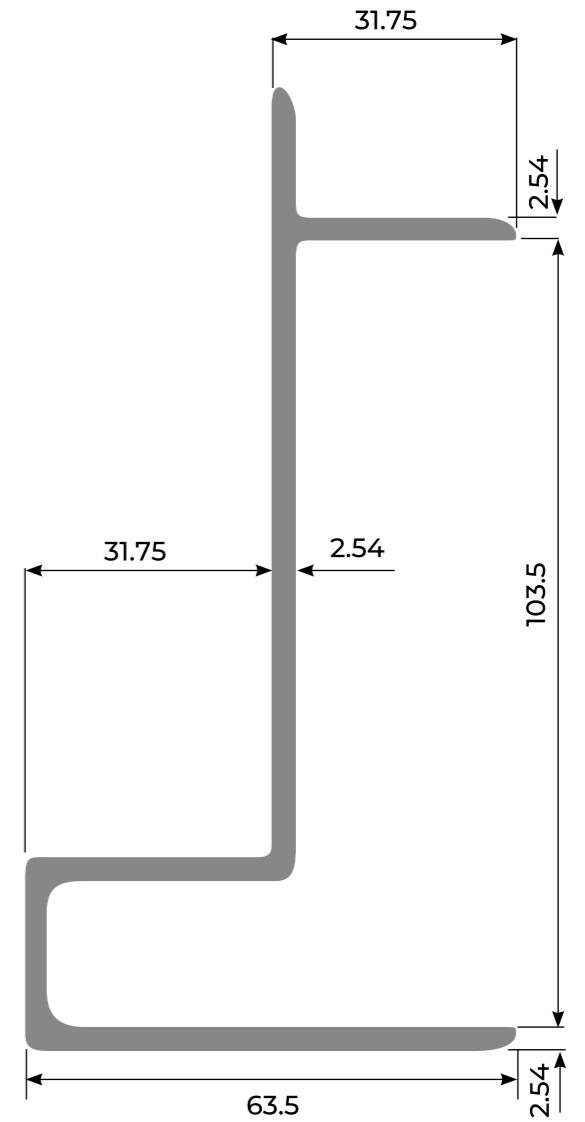
**SR17**  
Wt. 2.735 kg/m



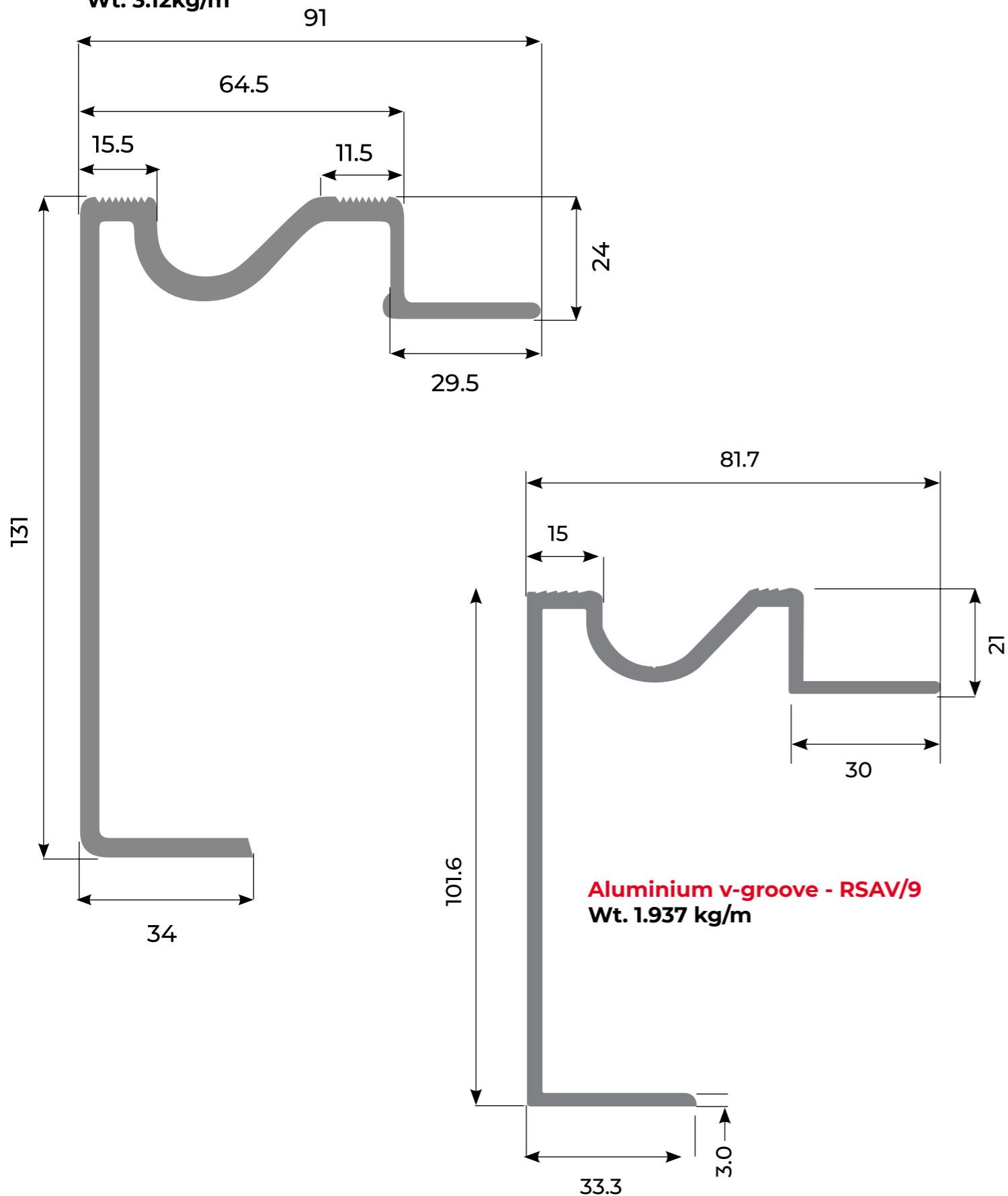
**SR11**  
Wt. 1.98 kg/m



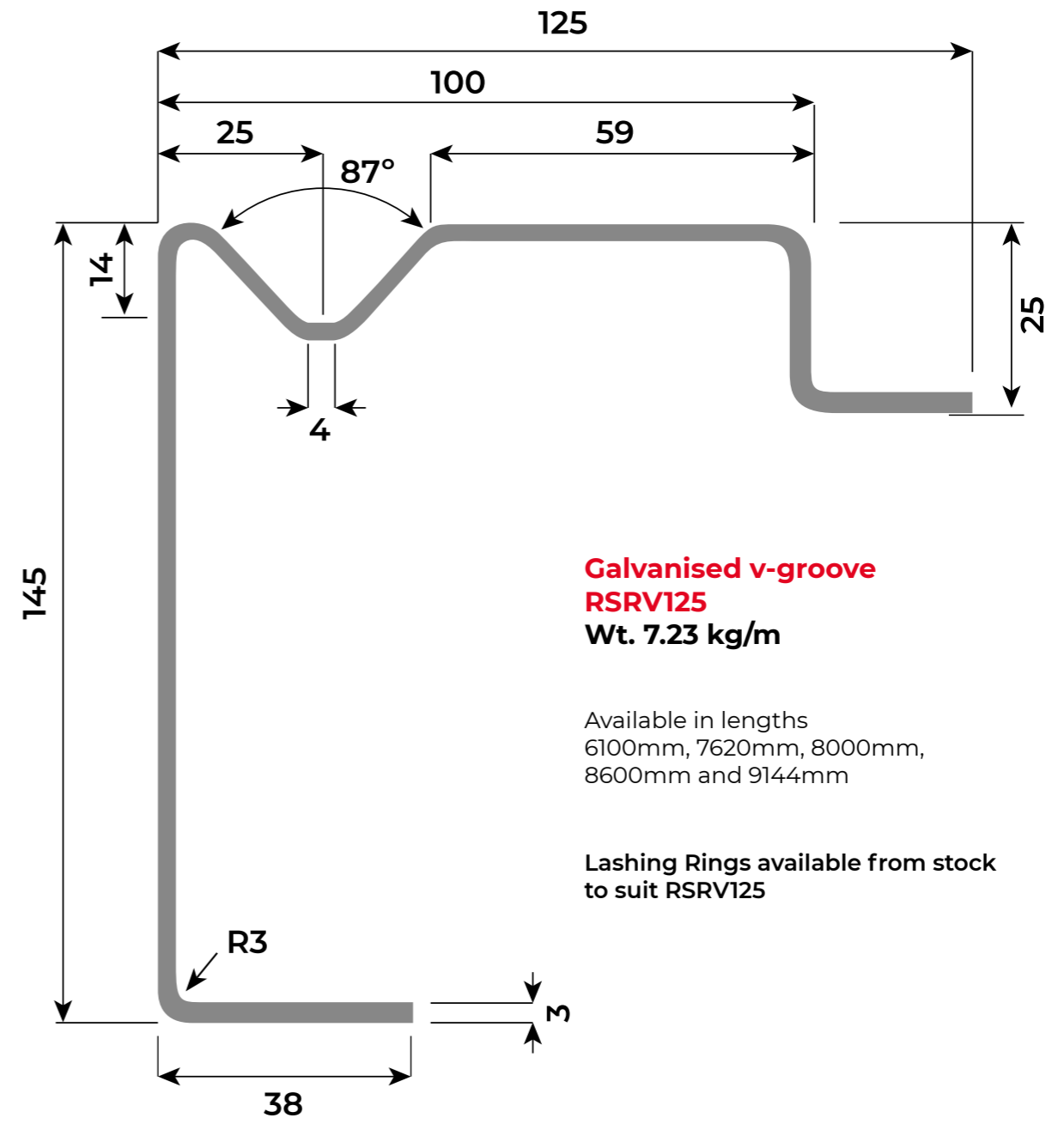
**SR5**  
Wt. 1.73 kg/m



**Aluminium v-groove - RSRAV/9**  
Wt. 3.12kg/m



**Aluminium v-groove - RSAV/9**  
Wt. 1.937 kg/m



**Galvanised v-groove RSRV125**  
Wt. 7.23 kg/m

Available in lengths  
6100mm, 7620mm, 8000mm,  
8600mm and 9144mm

Lashing Rings available from stock  
to suit RSRV125

# SIDE GUARDS

## SIDE GUARDS

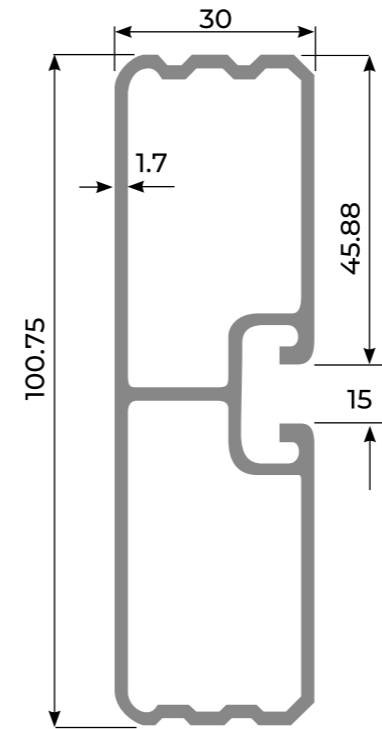
SG132 (Rail)	Page 27
EC-SG132	Page 27
SG132L (Rail)	Page 27
SGP132 (Pillar)	Page 27
REC-SGP132	Page 27
SIDE GUARD LEGS SGL-500 AND SGL-700	Page 28

VISIT [AALCO.CO.UK](http://AALCO.CO.UK) FOR VCA APPROVAL AND ASSEMBLY INSTRUCTIONS



## SIDE GUARD COMPONENTS (RSG)

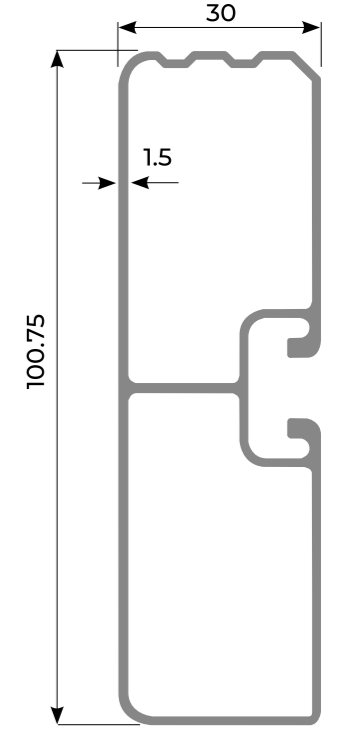
**SG132 (Rail)**  
Wt. 1.43 kg/m



**EC-SG132/EC-SG132L**

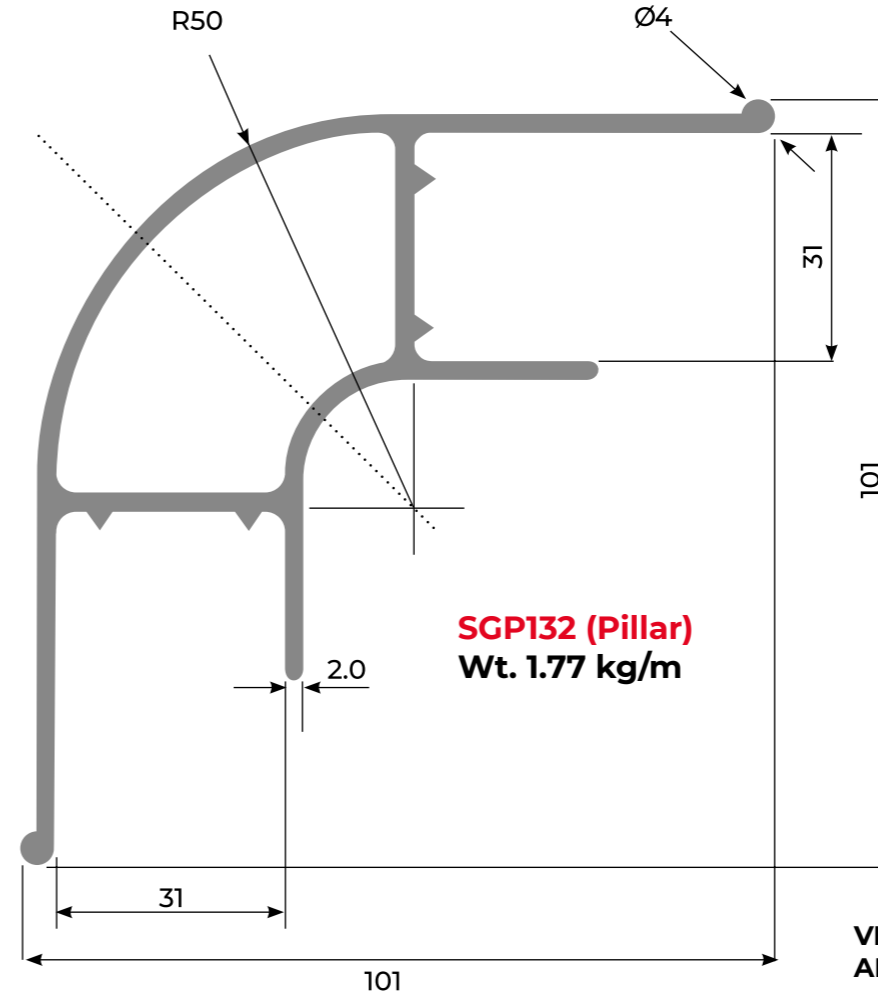


**SG132L (Rail)**  
Wt. 1.189 kg/m

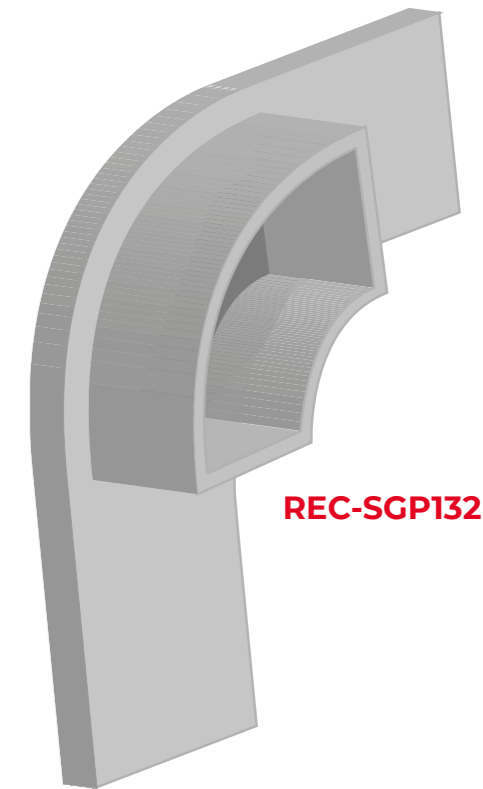


R50

Ø4

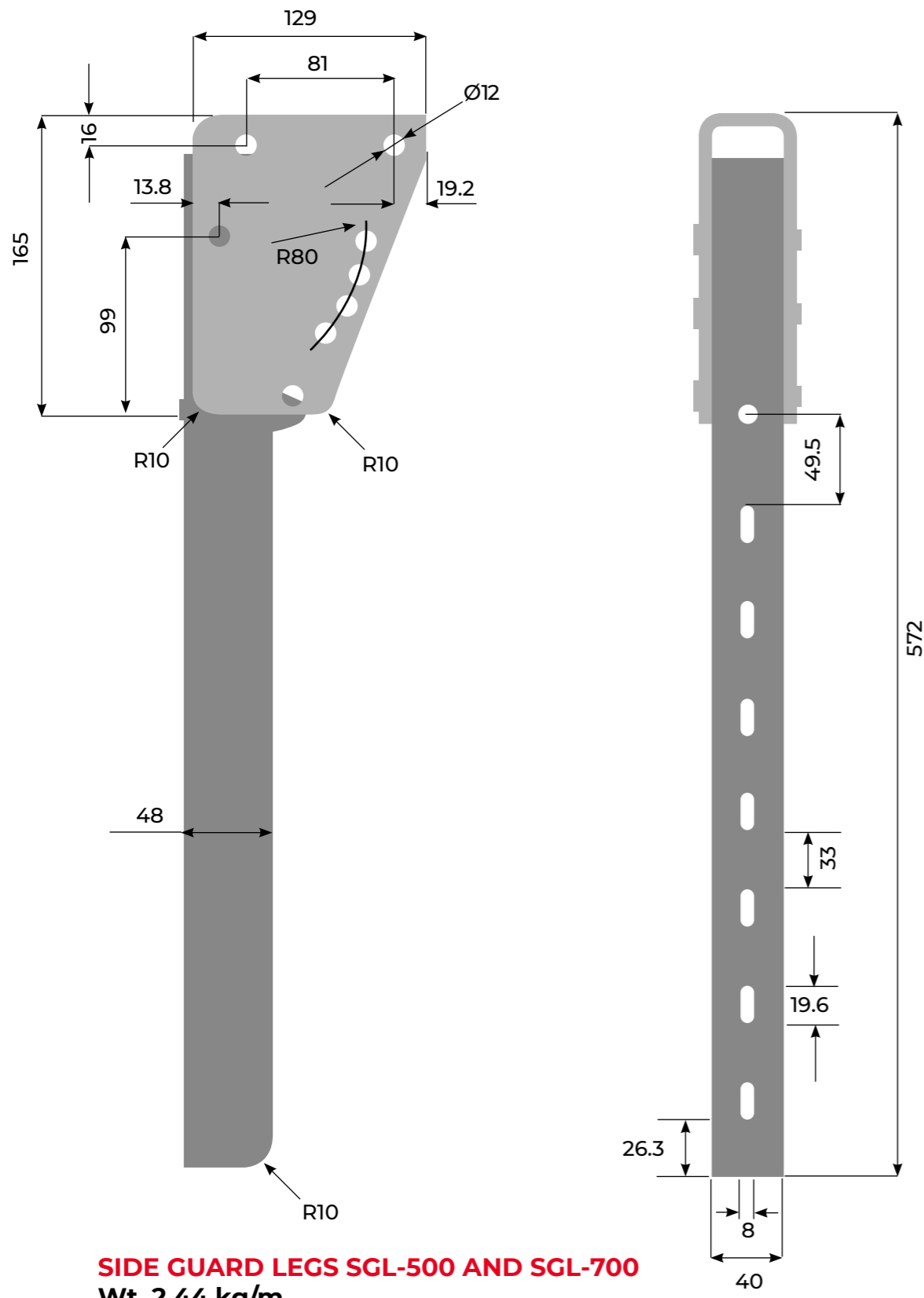


**SGP132 (Pillar)**  
Wt. 1.77 kg/m



**REC-SGP132**

VISIT [AALCO.CO.UK](http://AALCO.CO.UK) FOR VCA APPROVAL AND ASSEMBLY INSTRUCTIONS

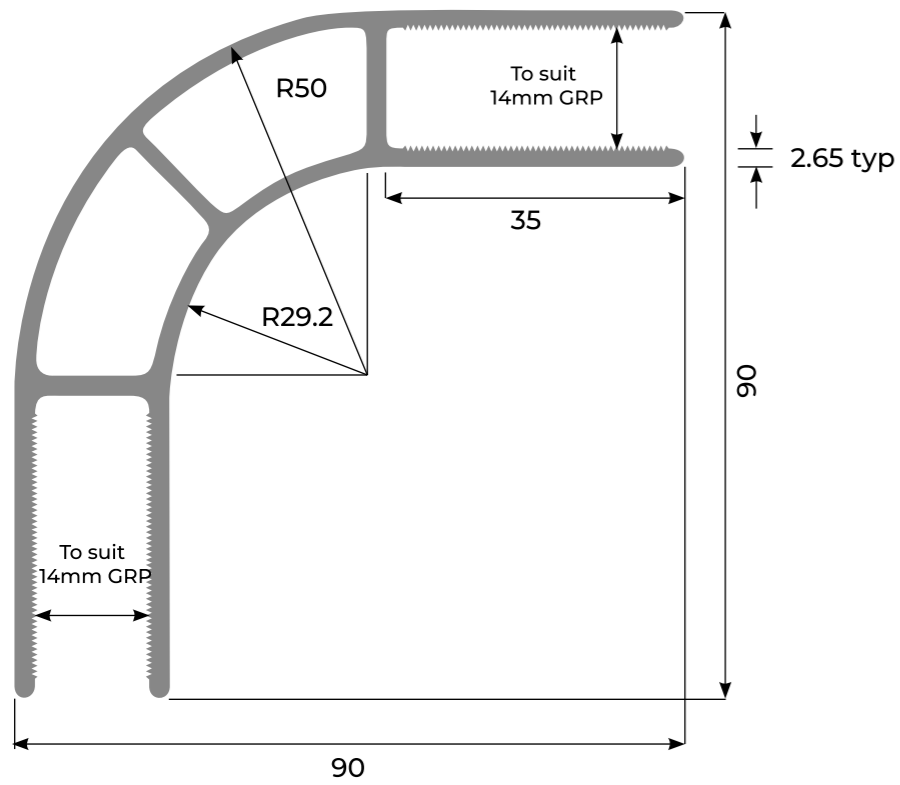


**SIDE GUARD LEGS SGL-500 AND SGL-700**  
Wt. 2.44 kg/m

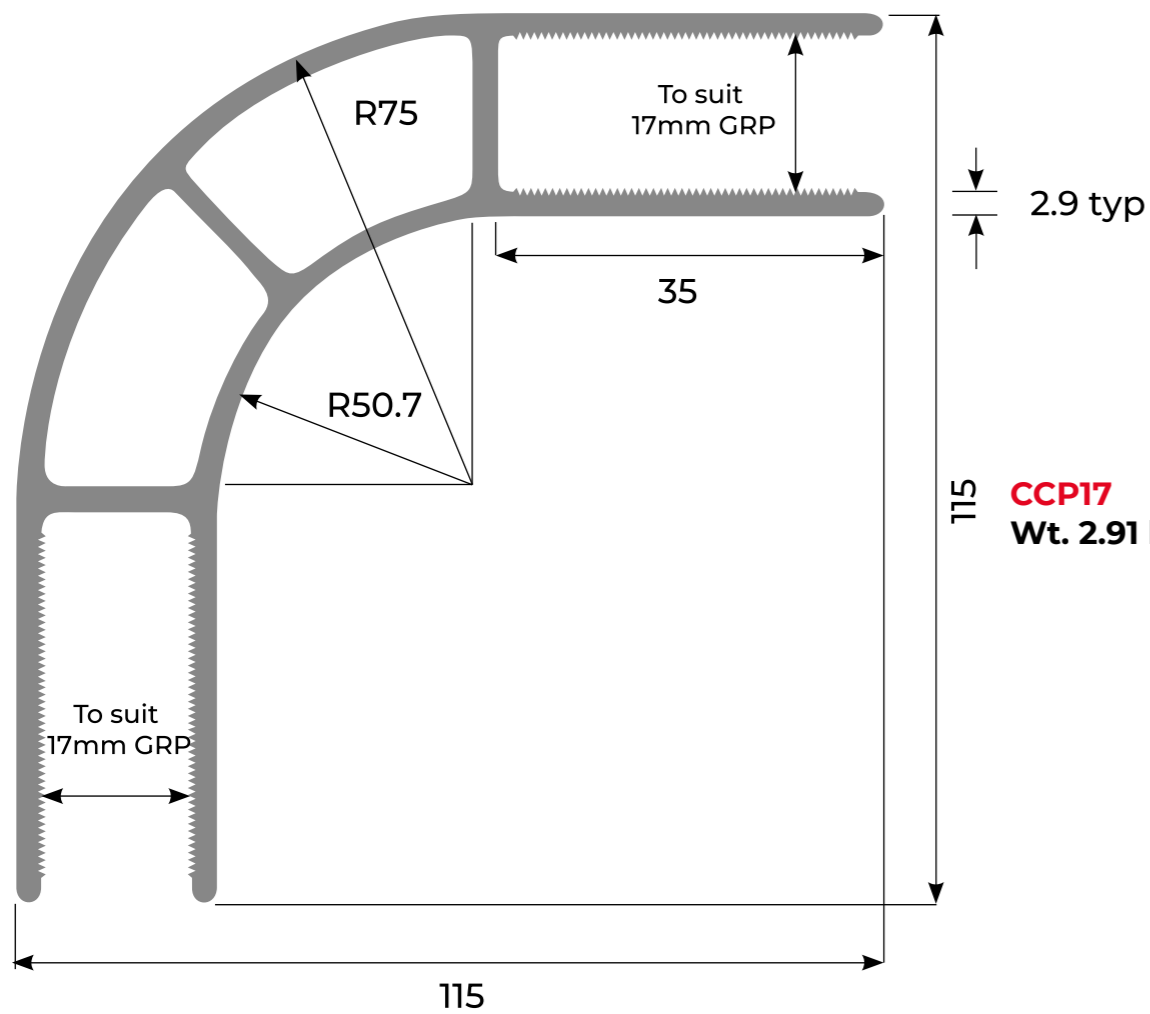
# CORNER PILLARS

CORNER PILLARS	
CCP14	Page 30
CCP17	Page 30
CPFT1	Page 31
CPFT2	Page 31
CP127	Page 32
CP27	Page 32
CP150	Page 33
CP50	Page 33
CP18	Page 34
CP75	Page 34
CP5	Page 35

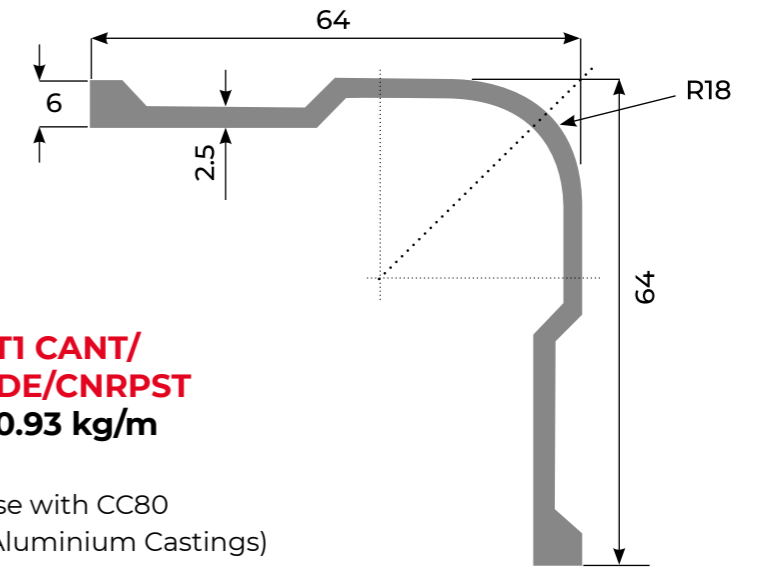




**CCP14**  
Wt. 2.13 kg/m

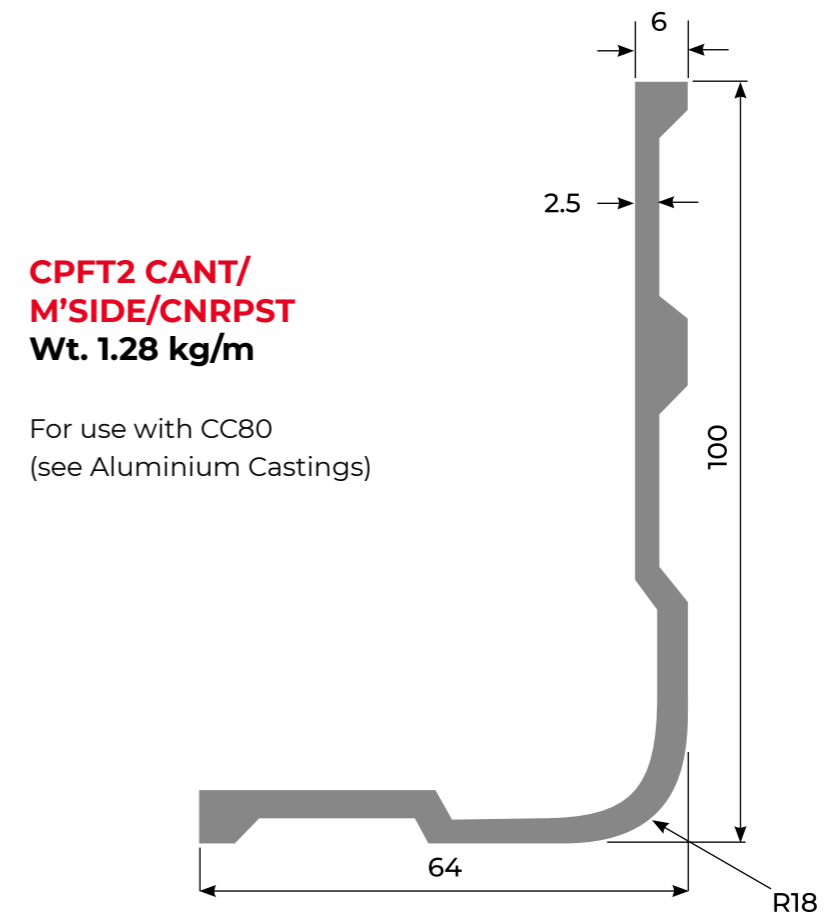


**CCP17**  
Wt. 2.91 kg/m



**CPFT1 CANT/  
M'SIDE/CNRPST**  
Wt. 0.93 kg/m

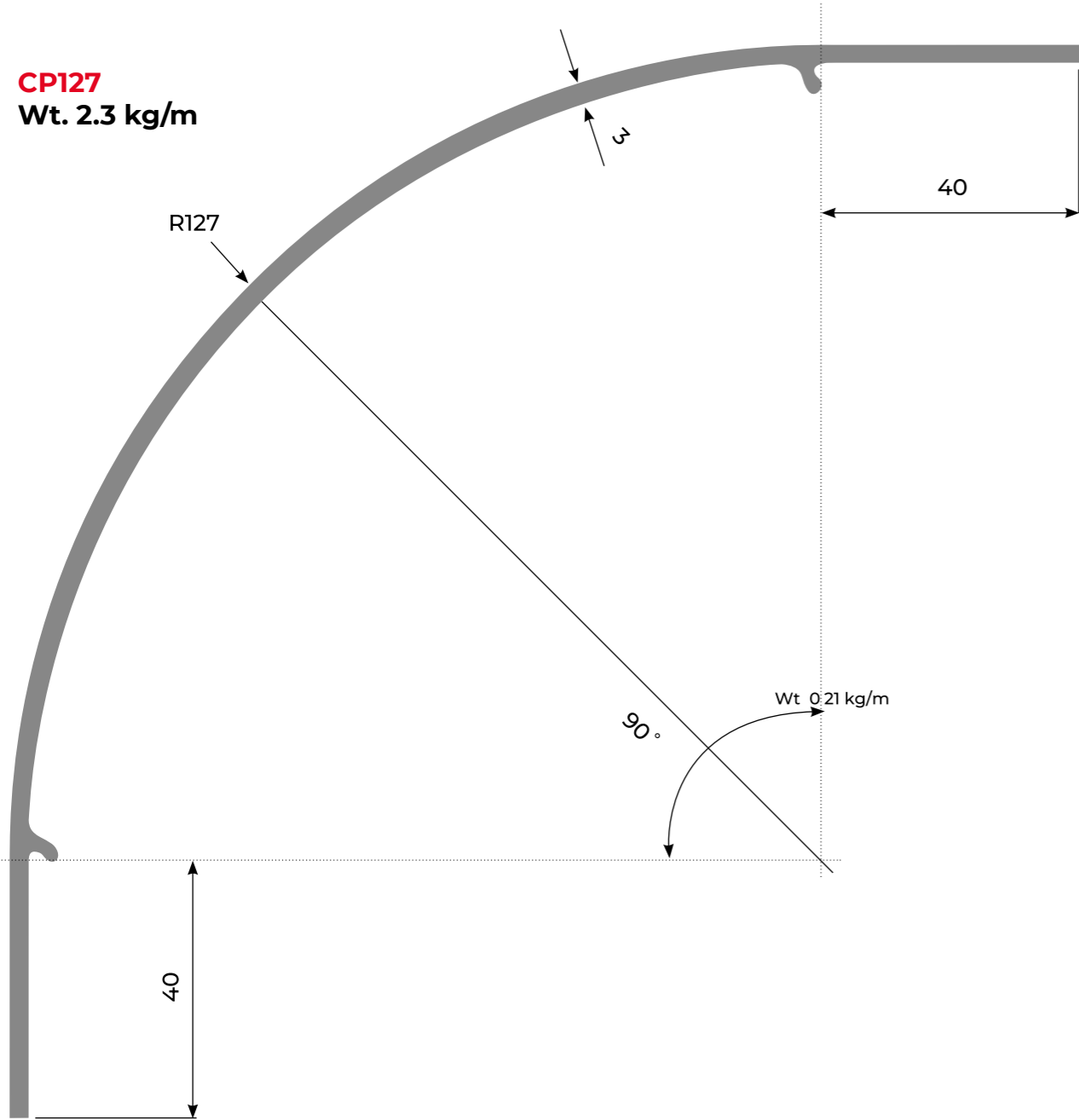
For use with CC80  
(see Aluminium Castings)



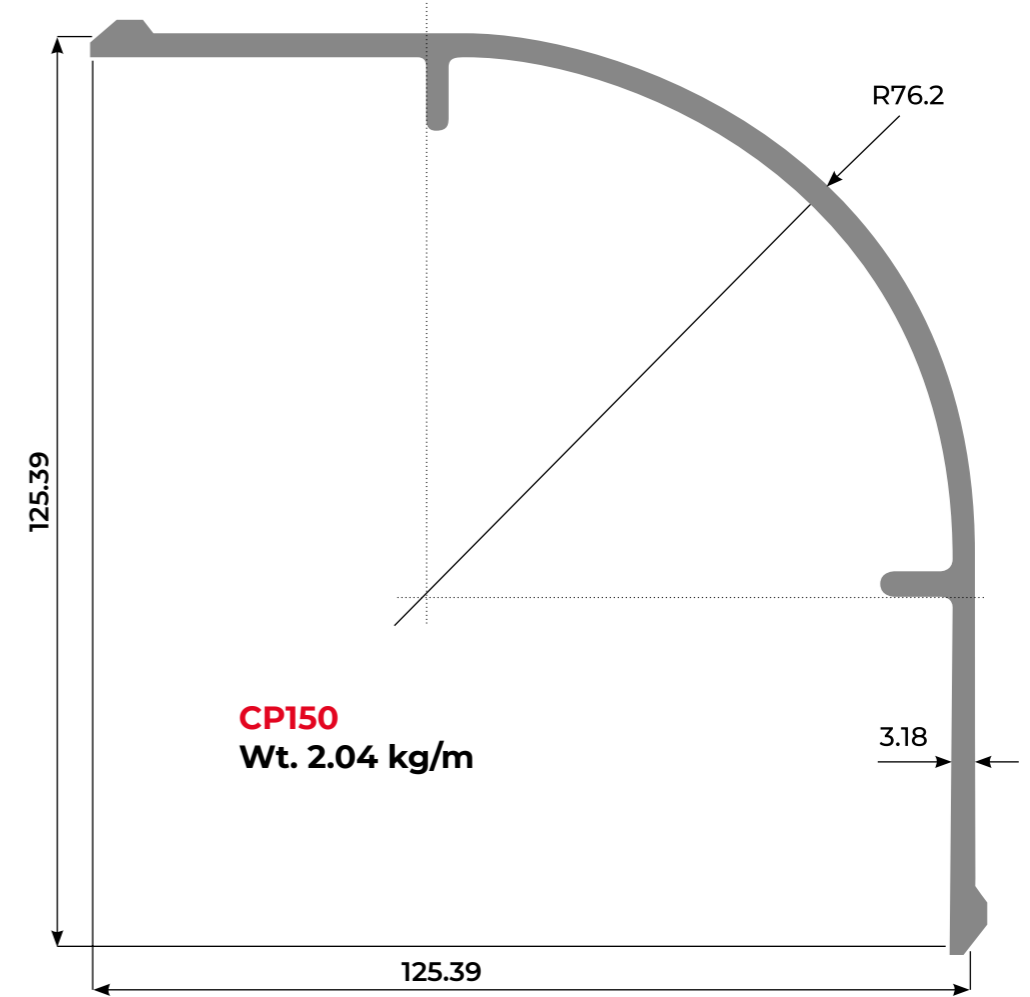
**CPFT2 CANT/  
M'SIDE/CNRPST**  
Wt. 1.28 kg/m

For use with CC80  
(see Aluminium Castings)

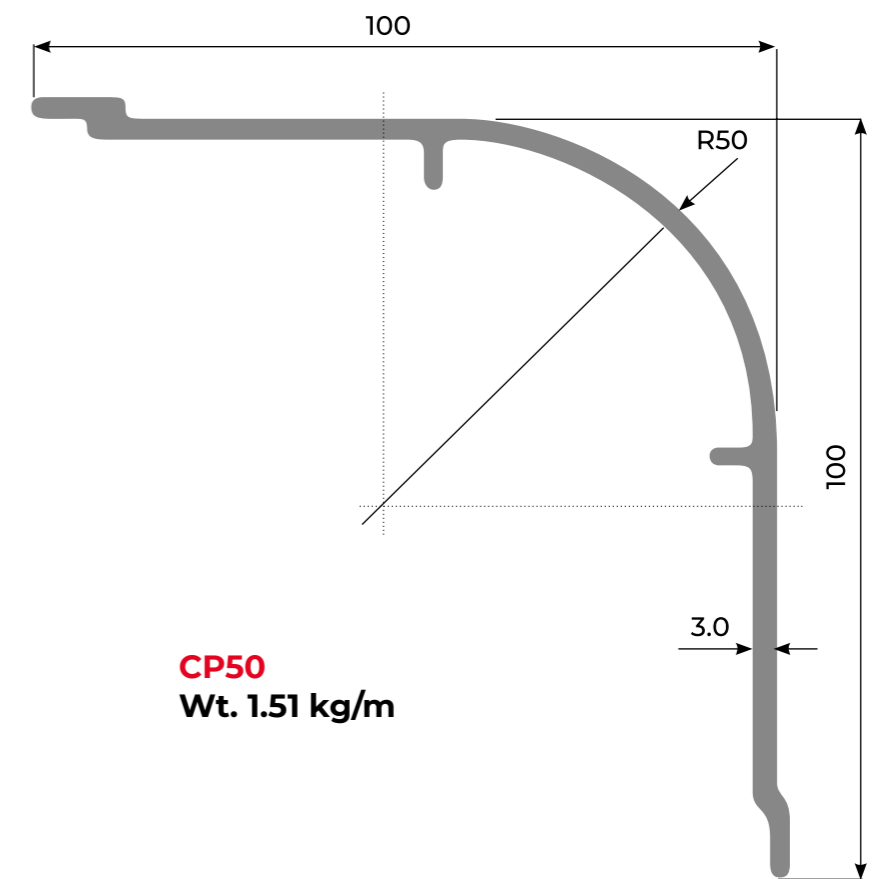
**CP127**  
Wt. 2.3 kg/m

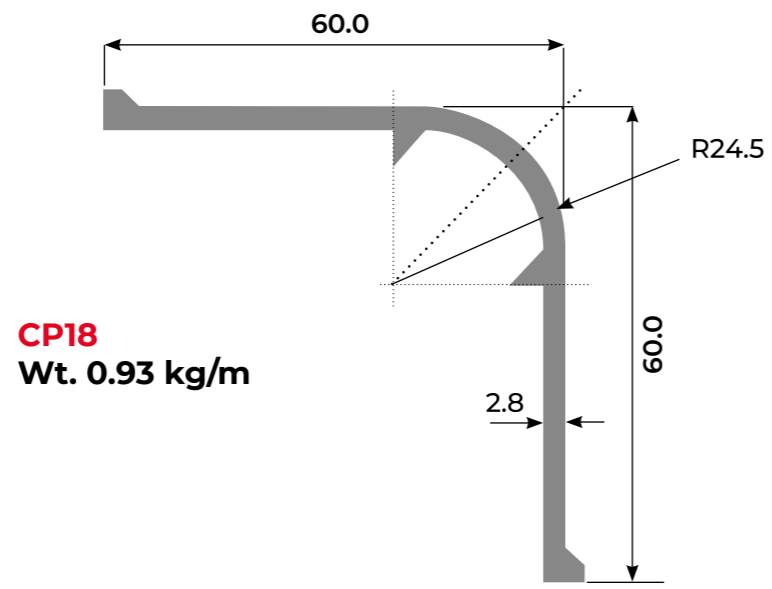


**CP150**  
Wt. 2.04 kg/m

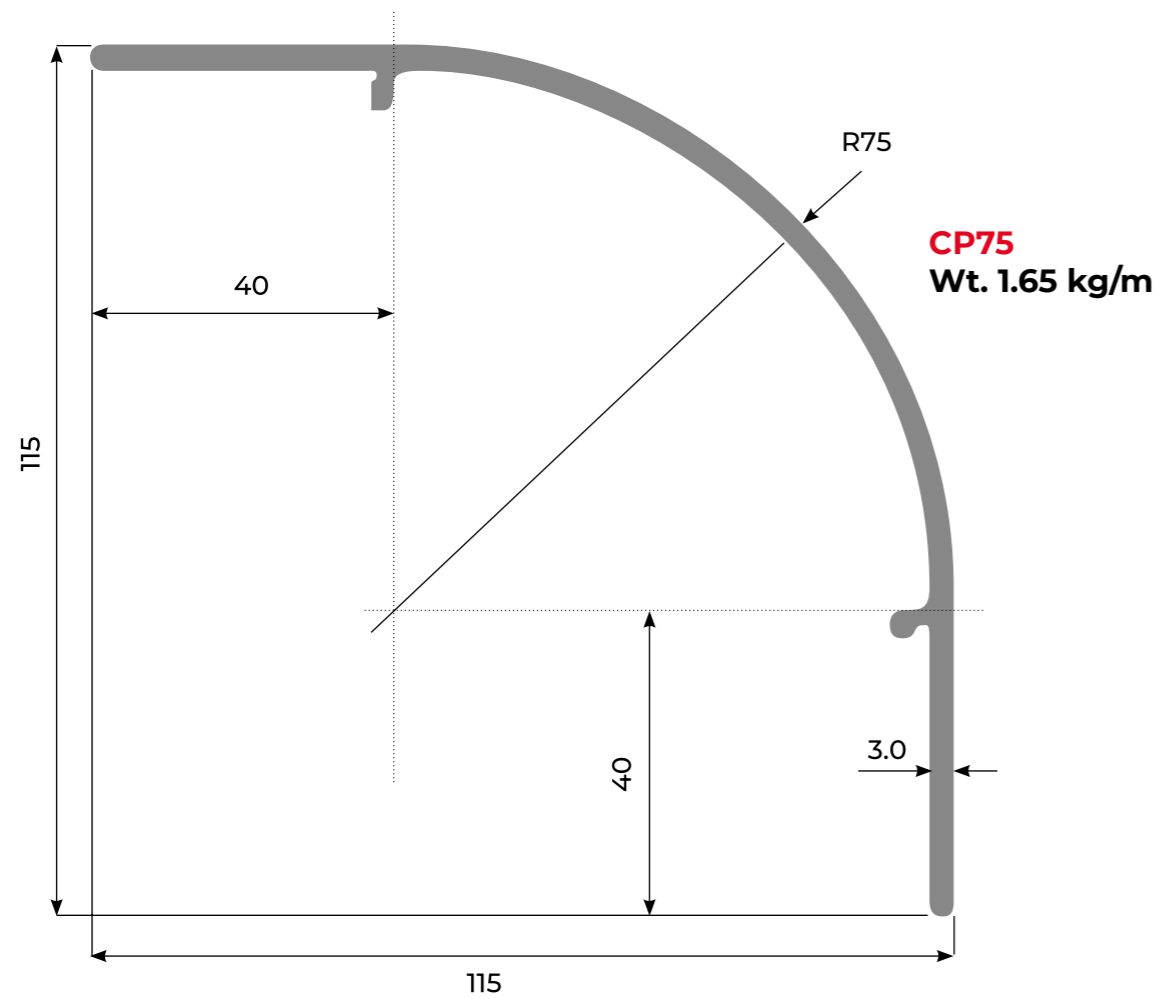
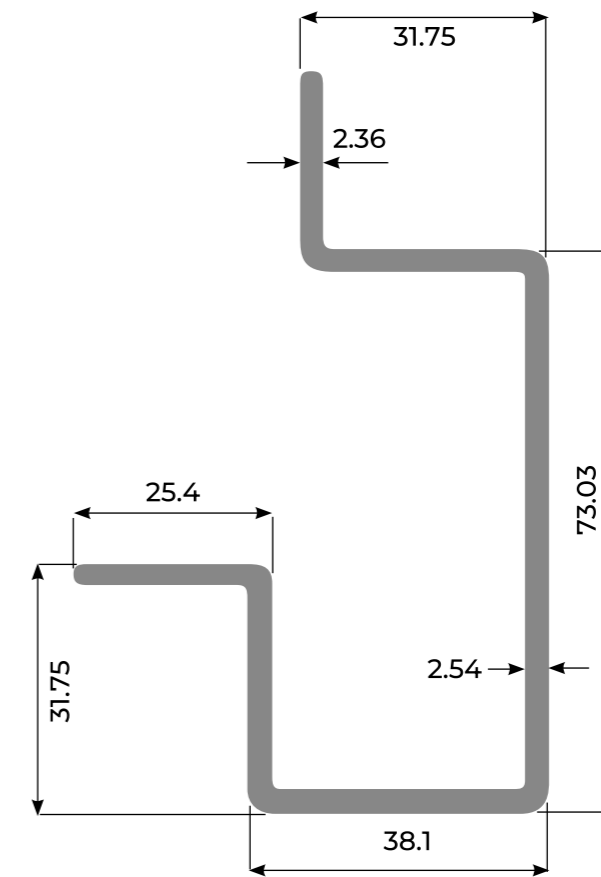


**CP50**  
Wt. 1.51 kg/m





**CP5**  
Wt. 1.41 kg/m



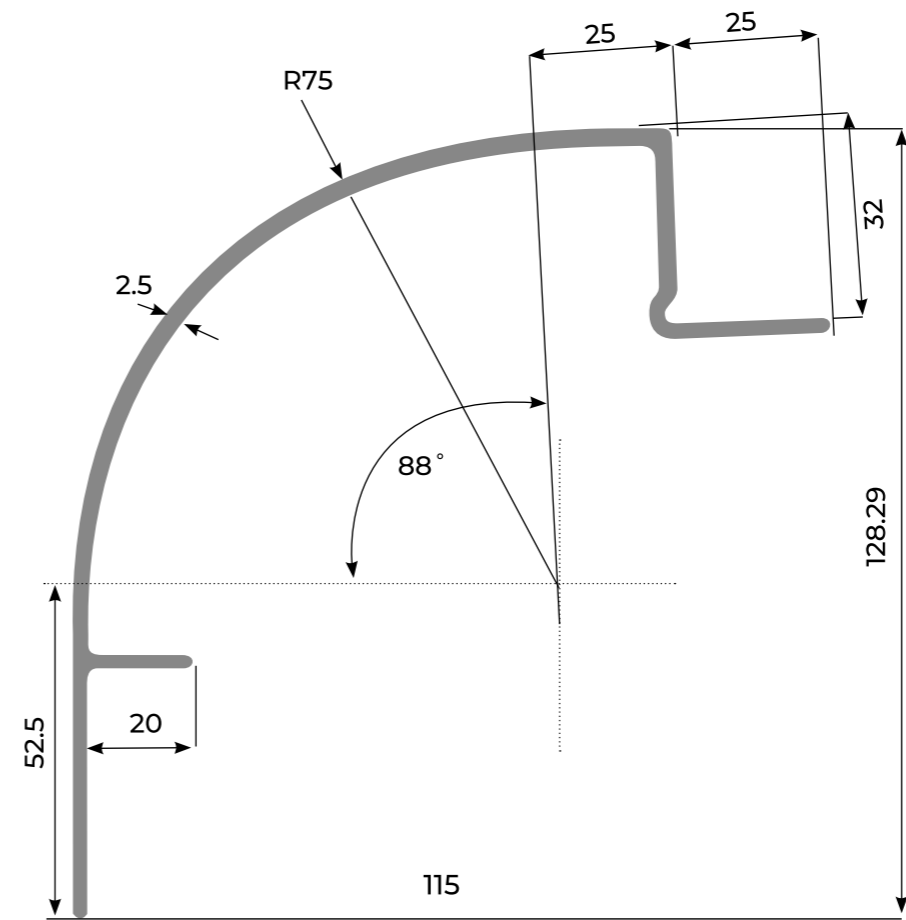
# CANT RAILS

## CANT RAILS

CR75	Page 37
CR31	Page 37
CCR14	Page 38
CCR17	Page 38
CR50	Page 39
CCR50	Page 39
CR127	Page 40
CR29	Page 40



## CANT RAILS (RCR)

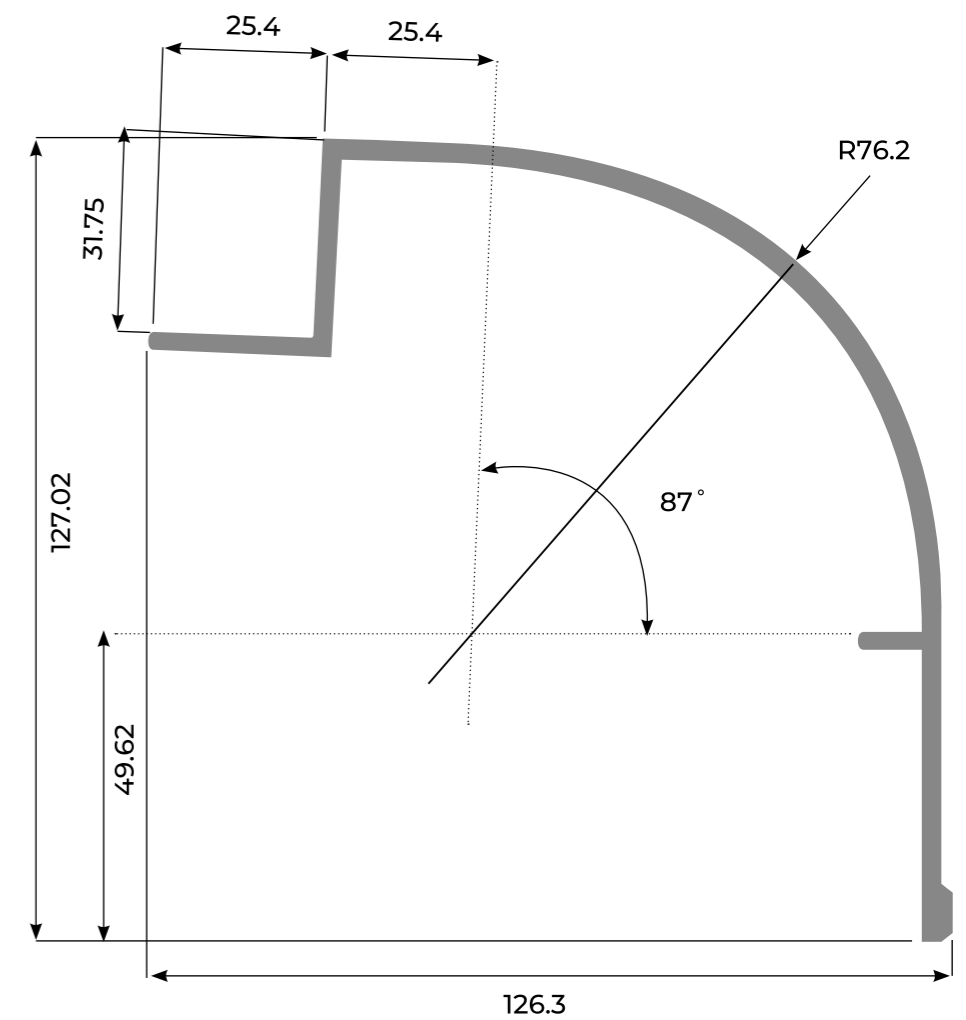


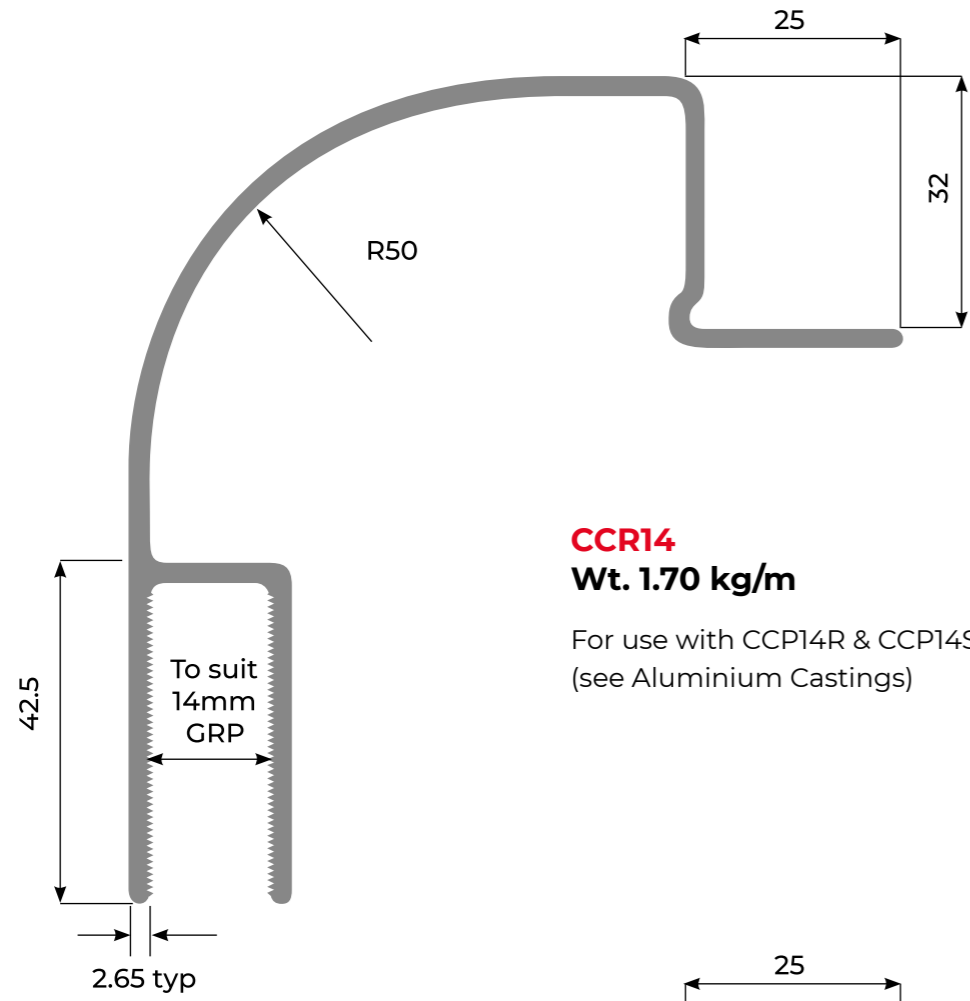
**CR75**  
Wt. 1.81 kg/m

For use with CC75R & CC75S  
(see Aluminium Castings)

**CR31**  
Wt. 1.96 kg/m

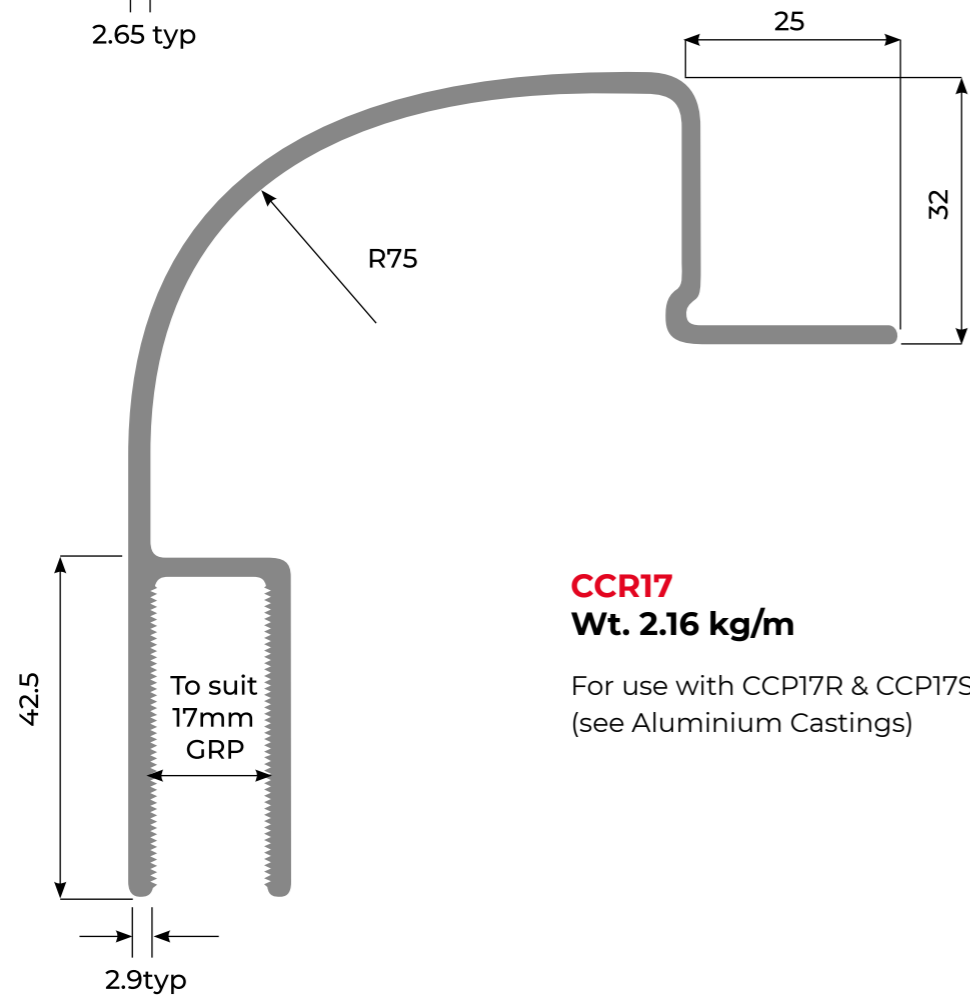
For use with CC31R & CC31S  
(see Aluminium Castings)





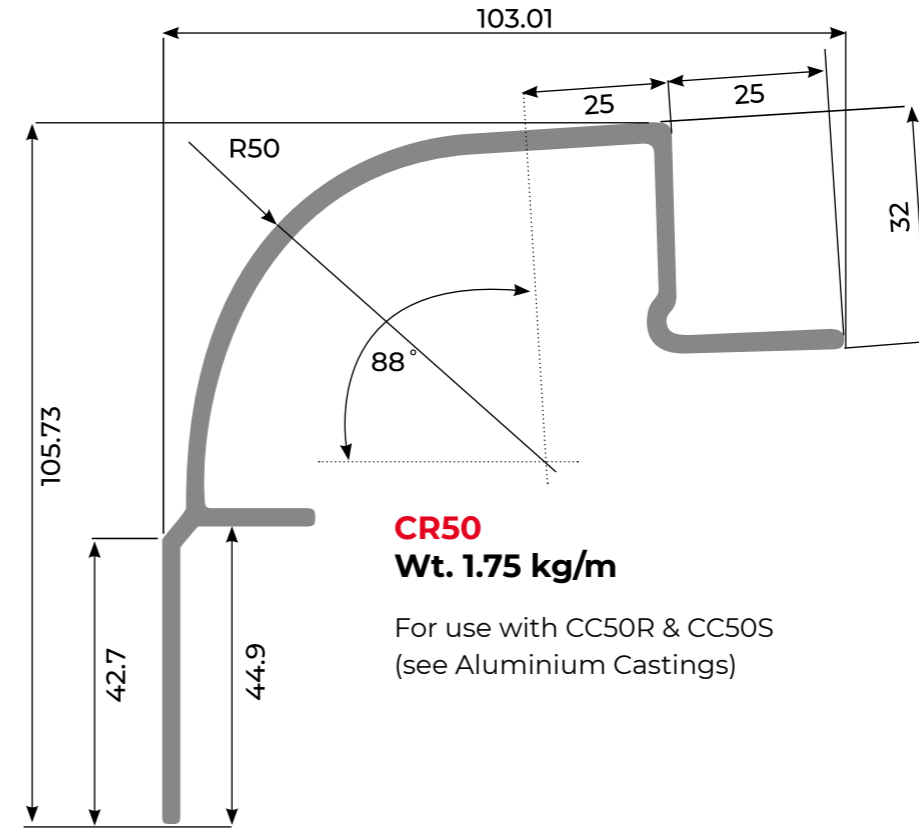
**CCR14**  
Wt. 1.70 kg/m

For use with CCP14R & CCP14S  
(see Aluminium Castings)



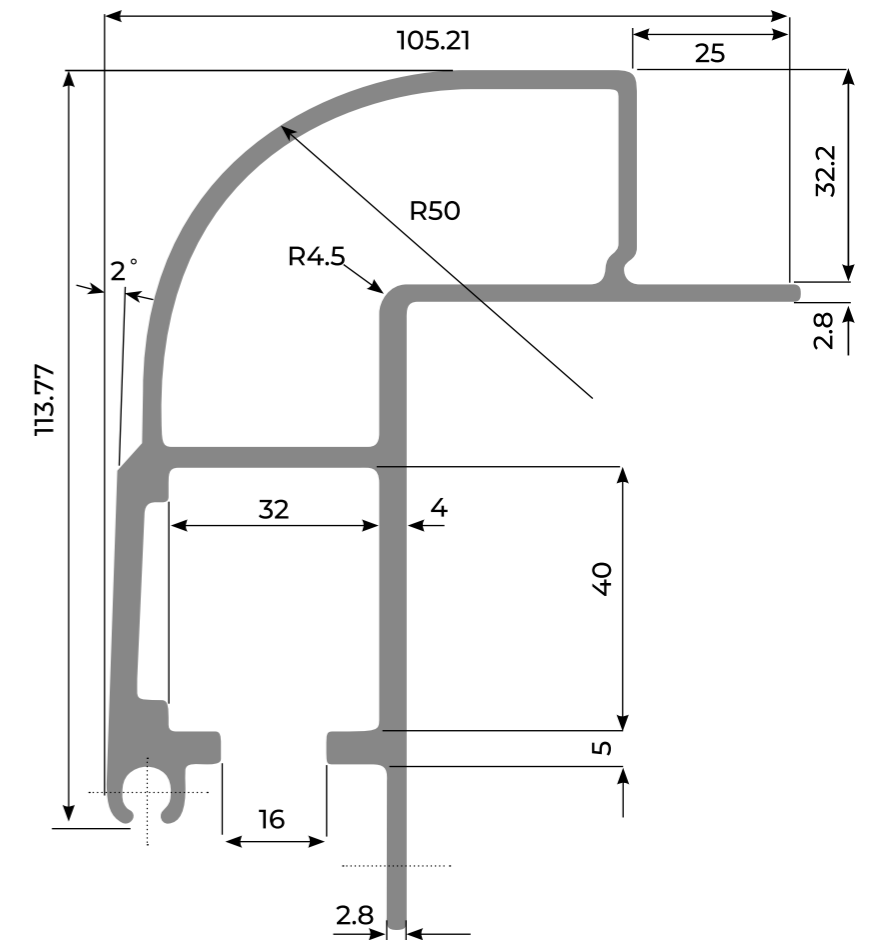
**CCR17**  
Wt. 2.16 kg/m

For use with CCP17R & CCP17S  
(see Aluminium Castings)



**CR50**  
Wt. 1.75 kg/m

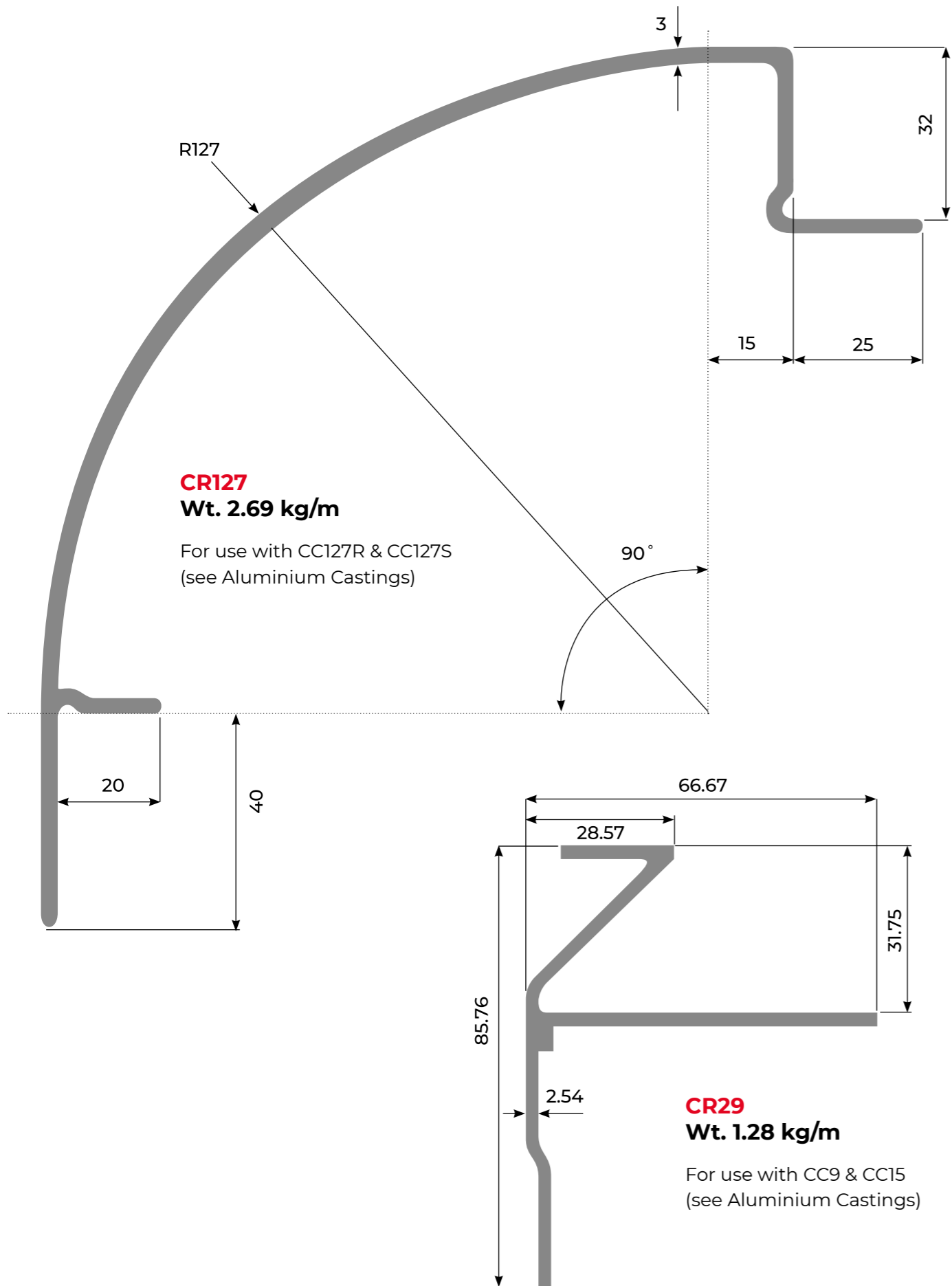
For use with CC50R & CC50S  
(see Aluminium Castings)



**CCR50**  
Wt. 3.81 kg/m

For use with CC50R & CC50S  
(see Aluminium Castings)

## CANT RAILS (RCR)



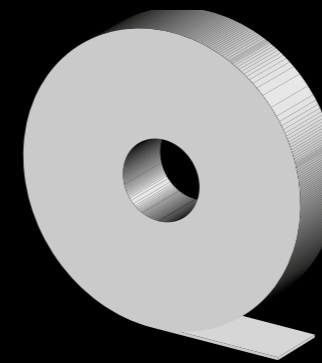
# ROOFING

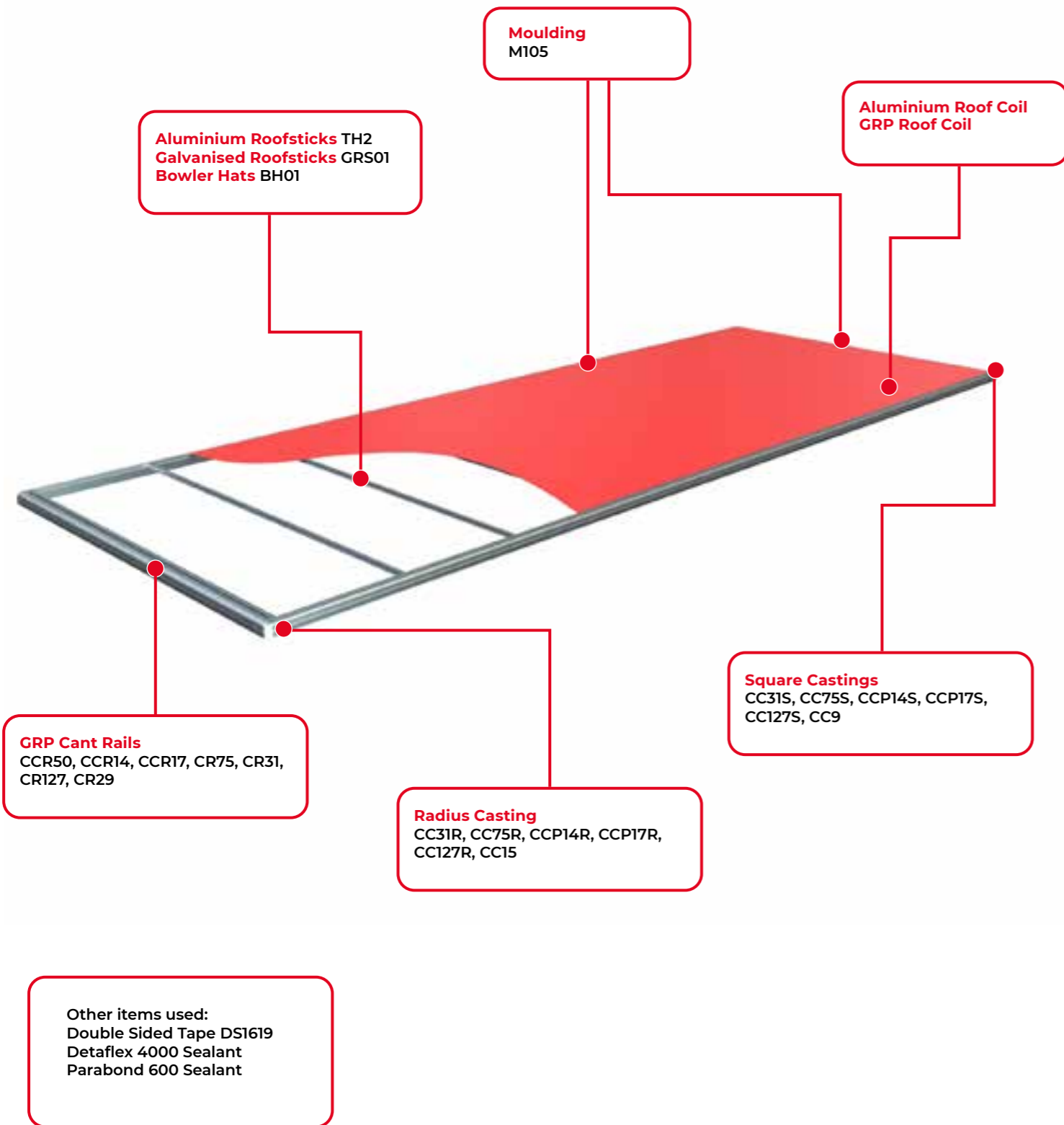
## ROOFING DIAGRAM

Page 42

## ROOFING COMPONENTS

GRP Roof Coil - FC01	Page 43
Aluminium Roof Coil	Page 43
Double-Sided Tape	Page 43
Solar Select	Page 43
Pre-bowed Aluminium Roof Sticks	Page 44
Steel Top Hat Roof Sticks	Page 44
Steel Bowler Hat Roof Sticks	Page 44





**GRP Roof Coil**

2550mm wide x 1.3mm thick in Opal or 1.4mm thick in Translucent. 60 metre long coils that can be cut to length, please contact your local Service Centre for details.

GRP flat and corrugated panels are produced on modern continuous lamination lines. The main ingredients are high quality polyester resins and glass fibre reinforcements that provide high mechanical strength properties to the product.

**Aluminium Roof Coil**

2550mm wide x 0.8mm thick. Available in full coil and cut to any length specified, then recoiled for easy transport and handling.

**Double-Sided Tape**

White, high bond strength DS Tape for a wide range of applications. Bonds well to metals, plastics, etc.

**Solar Select**

Say goodbye to the sweltering conditions and embrace the benefits of Solar Select:

Enhanced illumination: The translucent strip at the centre allows more natural light to flow into the cargo area increasing brightness and visibility to improve working conditions and productivity.

Heat reduction: The specially engineered dense material on each side of the Solar Select sheet simultaneously helps to minimize heat absorption, ensuring a cooler working environment for your goods and reducing the strain on cooling systems.

Durability and reliability: Made with the highest quality GRP materials, Solar Select offers superior strength and long-lasting performance to protect valuable cargo.

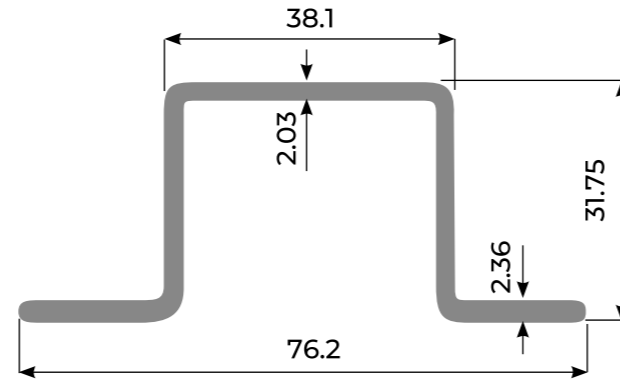
Technical Specification	
Product	Orthophtalic polyester resin and fibre glass
Fibre glass content	25 - 30%
Colour	Milk white
Light transmitted	Approx. 50%
Standard surface	Smooth / Smooth Smooth / Rough
Thickness	1.3± 0.19mm
Density	1.4-1.45 g/cm <sup>3</sup>
Service temperature	-40°C + 120°C
Tensile strength	> 50Mpa
Bending strength	80-90 Mpa
Modulus of elasticity	6000/7000 Mpa
Elongation of break	2%
Thermal lineal expansion coefficient	2.7 - 10-5 cm/cm°C
Barkol hardness	>40 barkol
Water absorption	0.2%
Heat transmission coefficient	5 Kcal/m h°C
Self-ignition temperature	480°C
Biological resistance	Perfect against microorganisms, algae, mildew and fungus
Resistance to corrosion	Good resistance to general corrosion of chemical agents and sea water

Dimensional tolerance	
Unit weight	±10%
Average thickness	±15%
Width	±1%
Length	±1%



**Pre-Bowed Aluminium Roof Sticks**

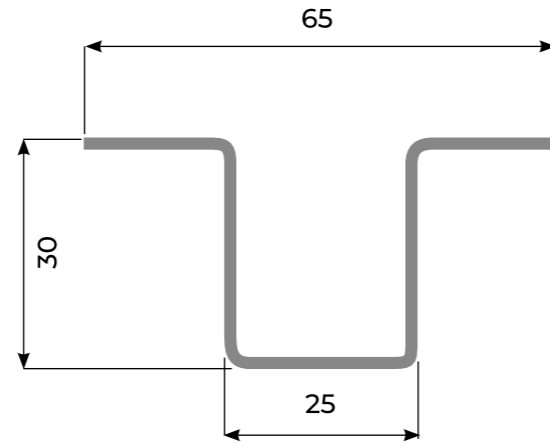
**Material:** Aluminium  
**Weight:** 0.777 kg/meter  
**Availability:** 2500mm long with 25mm rise, ±5mm and is supplied flanges up or down



**TH2**  
**Wt. 0.78 kg/m**

**Steel Top Hat Roof Sticks**

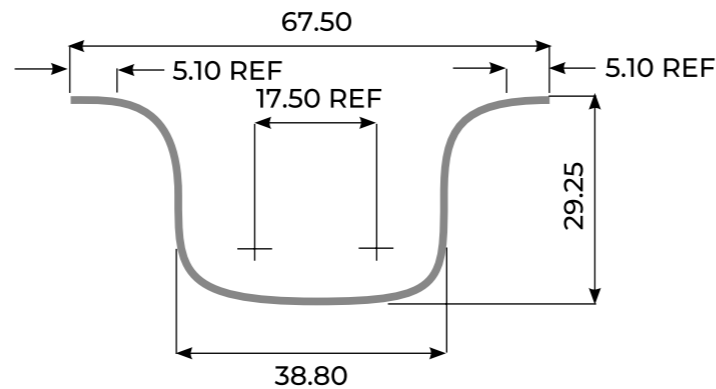
**Material:** 1.2mm Galvanised Mild Steel  
**Weight:** 1.12 kg/meter  
**Availability:** 2500mm long with 25mm rise, ±5mm and is supplied flanges up or down



**GRS01 (Steel)**  
**Wt. 1.20 kg/m**

**Steel Bowler Hat Roof Sticks**

**Material:** 0.9mm Galvanised Mild Steel  
**Weight:** 0.78 kg/meter  
**Availability:** 2500mm long with 25mm rise, ±5mm and is supplied flanges up



**BH01 (Steel)**  
**Wt. 0.78 kg/m**

Roofsticks will normally be supplied pre-bowed with legs on inside radius. Can also be supplied pre-bowed with legs on outside of radius

**TOP HATS**

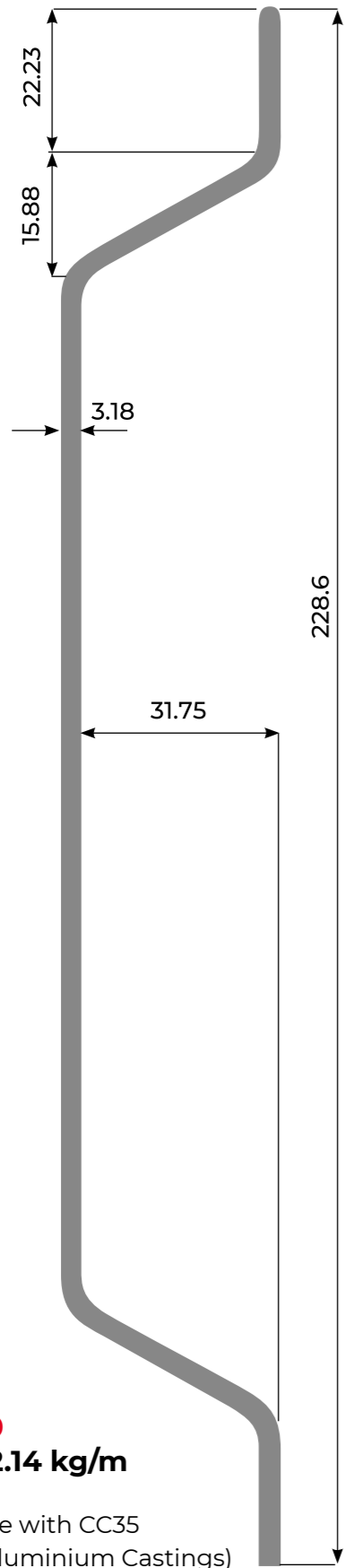
**TOP HATS**

TH90	Page 46
TH61	Page 46
TH16	Page 46
TH14	Page 47
TH21	Page 47
TH5	Page 48
TH26	Page 48
TH2	Page 48



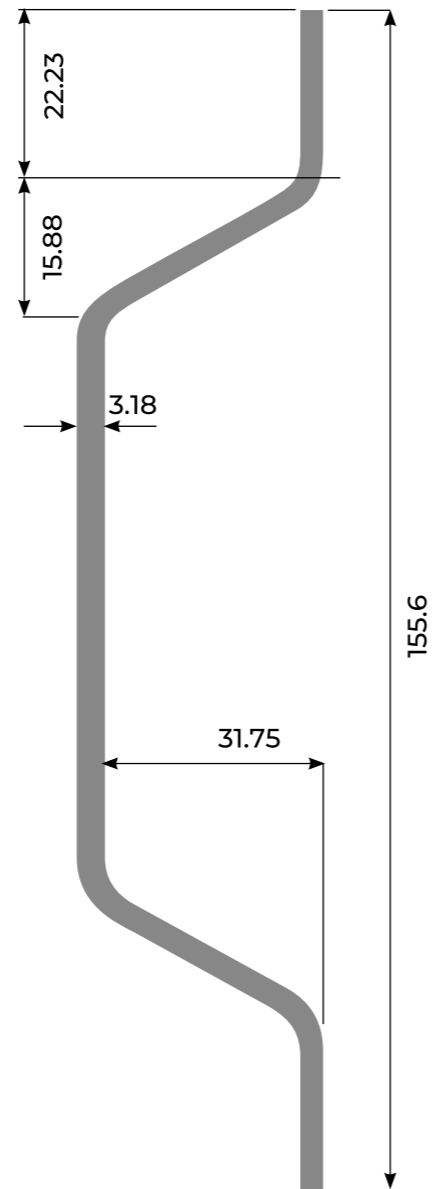
**TH90**  
Wt. 2.14 kg/m

For use with CC35  
(see Aluminium Castings)

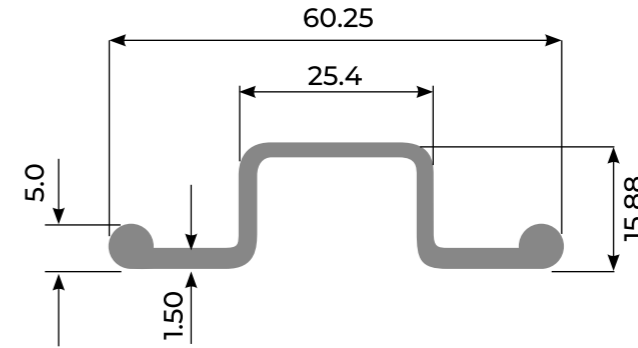


**TH61**  
Wt. 1.51 kg/m

For use with CC38  
(see Aluminium Castings)

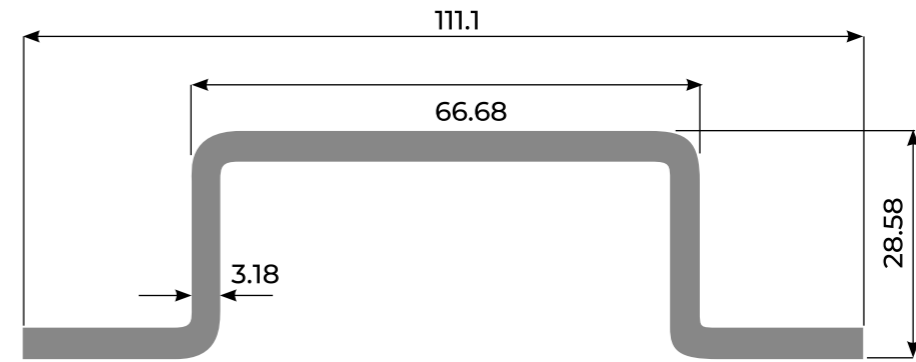


**TH16**  
Wt. 0.42 kg/m

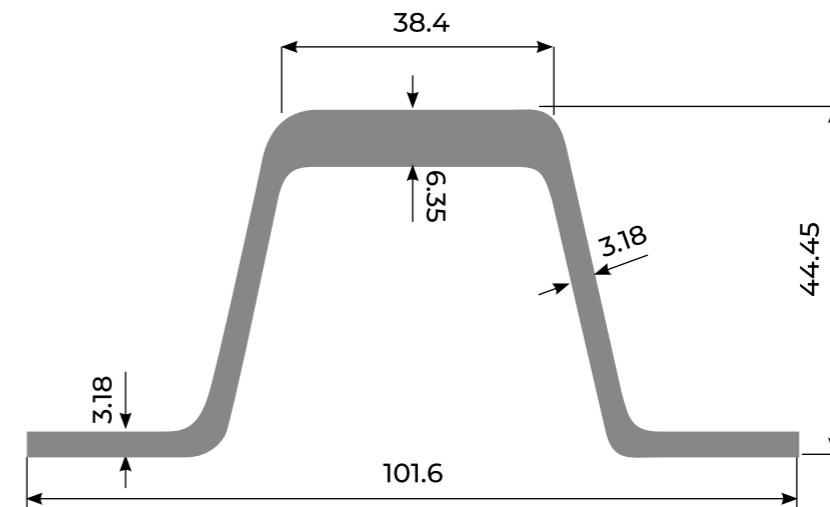


**TH14**  
Wt. 1.35 kg/m

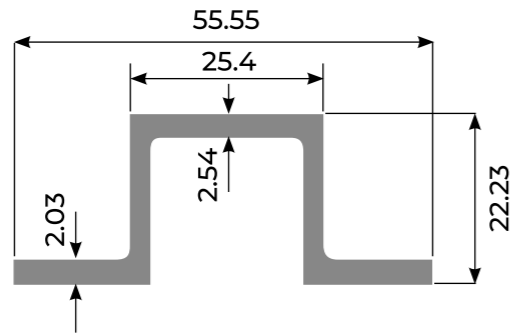
For use with CC28  
(see Aluminium Castings)



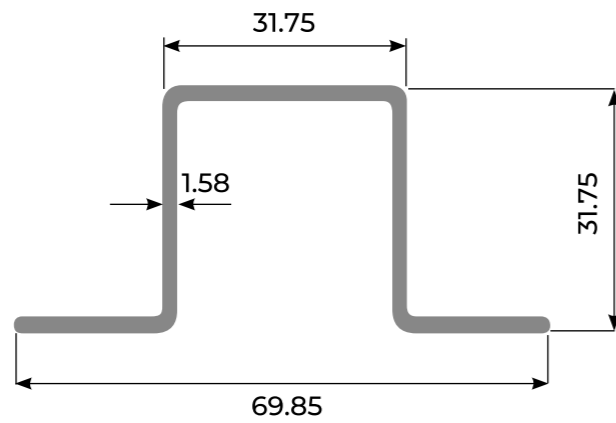
**TH21**  
Wt. 1.74 kg/m



**TH5**  
Wt. 0.56 kg/m

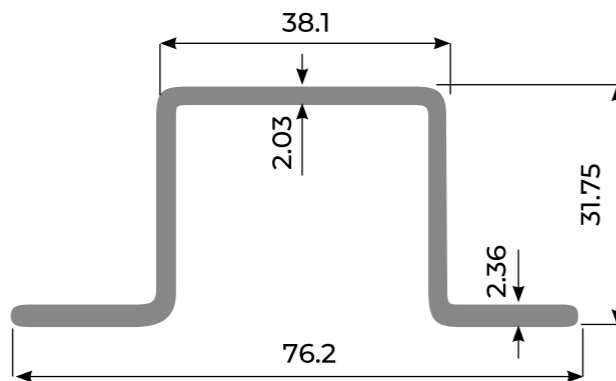


**TH26**  
Wt. 0.54 kg/m



**TH2**  
Wt. 0.78 kg/m

For use with CC14  
(see Aluminium Castings)



# DROPSIDE BODIES

**DROPSIDE DIAGRAM** Page 50

**DROPSIDE SECTIONS**

DSBP200 Page 51

DSTP200 Page 51

DSIP100 Page 52

DSIP200 Page 52

DS400 Page 53

DS400L Page 53

CLIPFIT BOTTOM PLANK Page 54

CLIPFIT MIDDLE PLANK Page 54

CLIPFIT TOP PLANK Page 55

BHCP34 Page 56

DC140 Page 56

RL694B Page 57

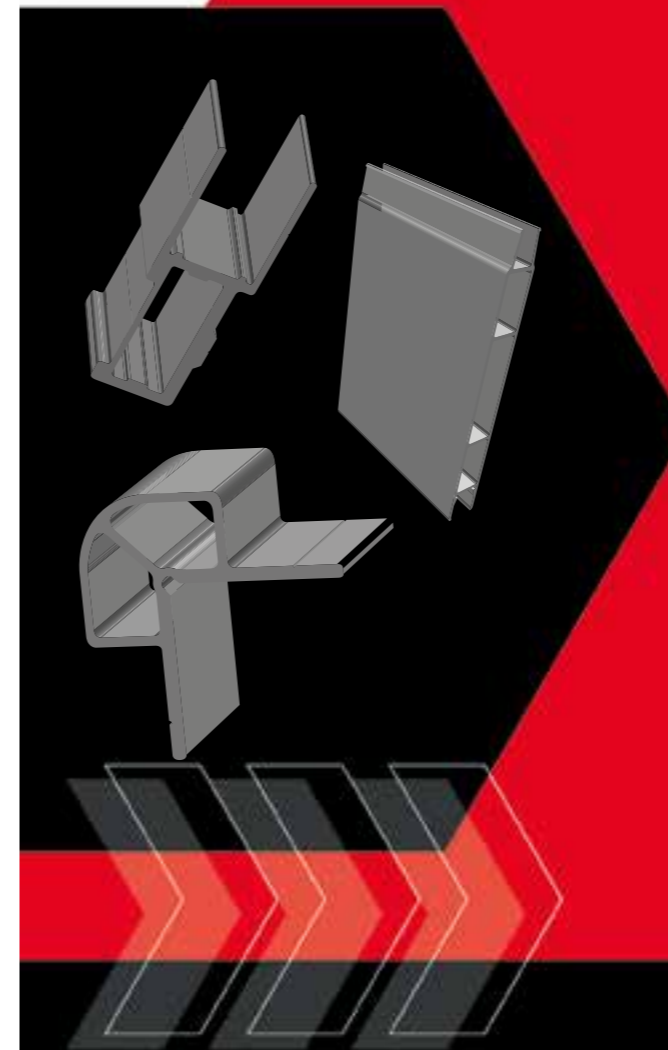
AL63 Page 57

DH300W Page 57

CTR7A Page 58

EC8A Page 59

CNR6A Page 60



## STANDARD DROPSIDE DIAGRAM



**Dropside Lock**  
RL694B

- Steel Corner Pillar**  
CNR6-400, CNR6-600
- Aluminium Corner Pillar**  
CNR6A-400, CNR6A-600

**Runners**  
LM/RN02

- Bottom Plank** DSBP200
- Middle Plank** DSIP200
- Top Plank** DSTP200
- Middle Plank (4")** DSIP100
- One Piece Plank** DS400
- One Piece Plank** DS400L
- End Capping** DC140

LM/FP01  
(AalcoDek)

FP15  
FP4


2x2x1/4 angle  
3x2x1/4 angle

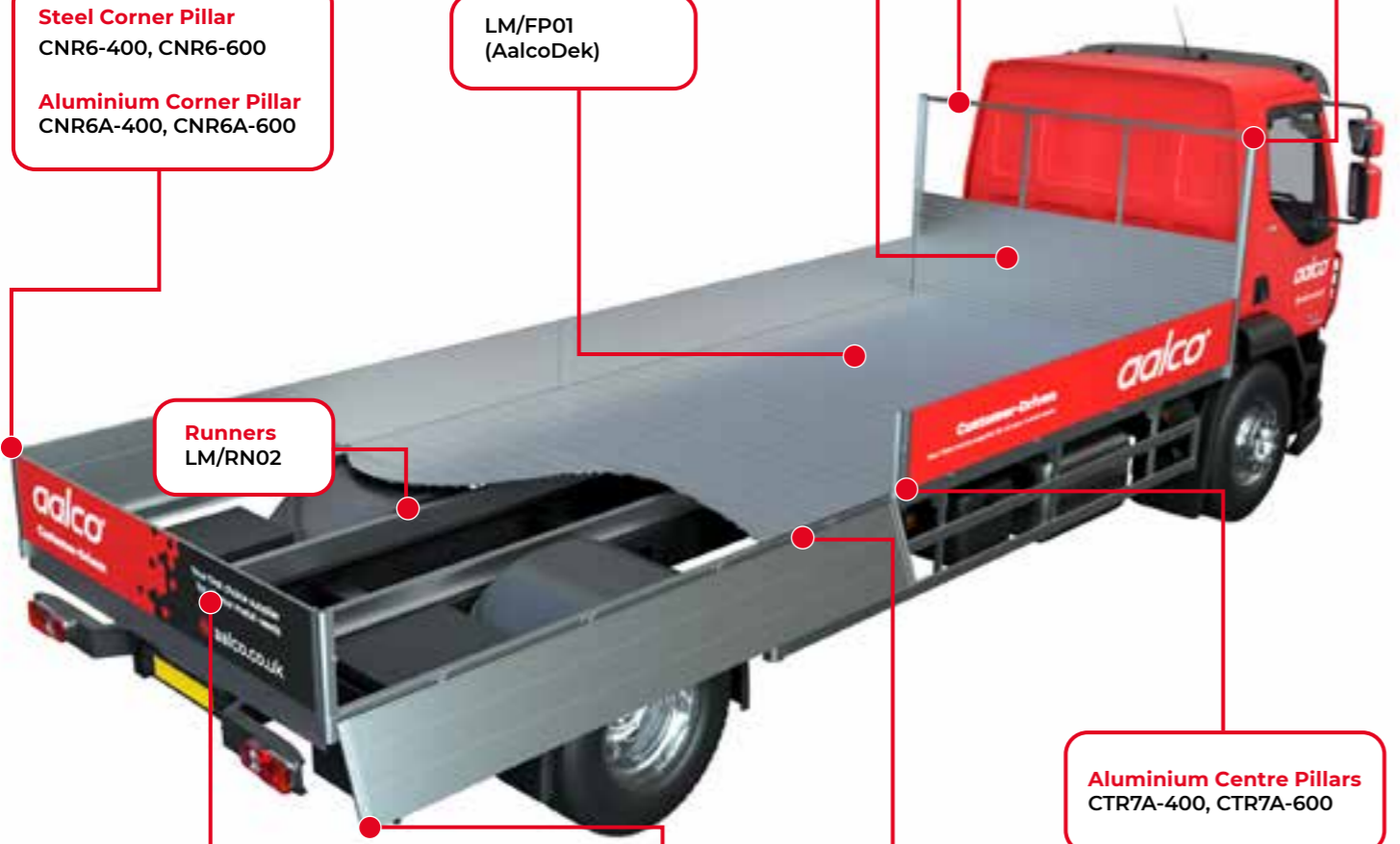
**Pillar**  
BULKHEAD BHCP34  
3x2x1/4 angle

**Aluminium Centre Pillars**  
CTR7A-400, CTR7A-600

**Hinge Set**  
DH300W

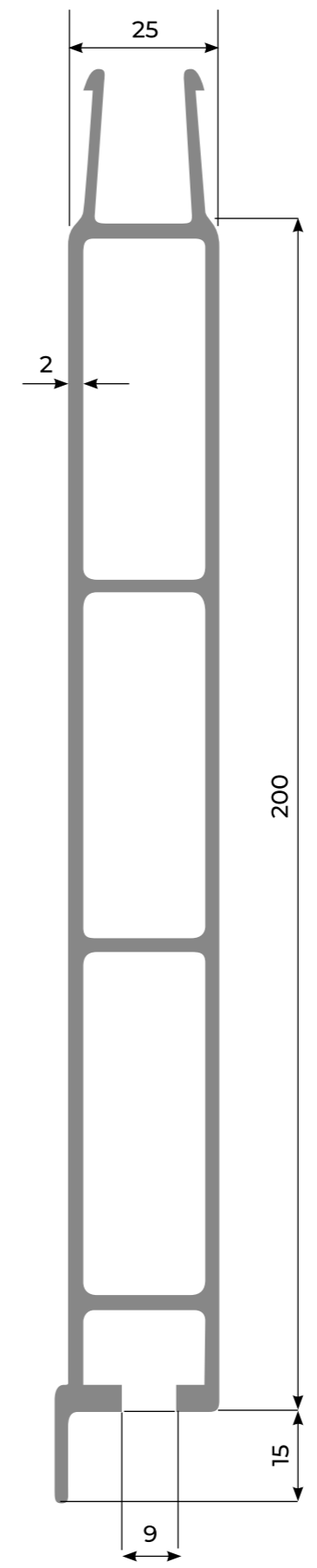
**Aluminium End Caps**  
EC8A-400, EC8A-600

- Aluminium Corner Pillars**  
CNR6A-400  
CNR6A-600
  - with**  
AL63  
Anti Luce
- 

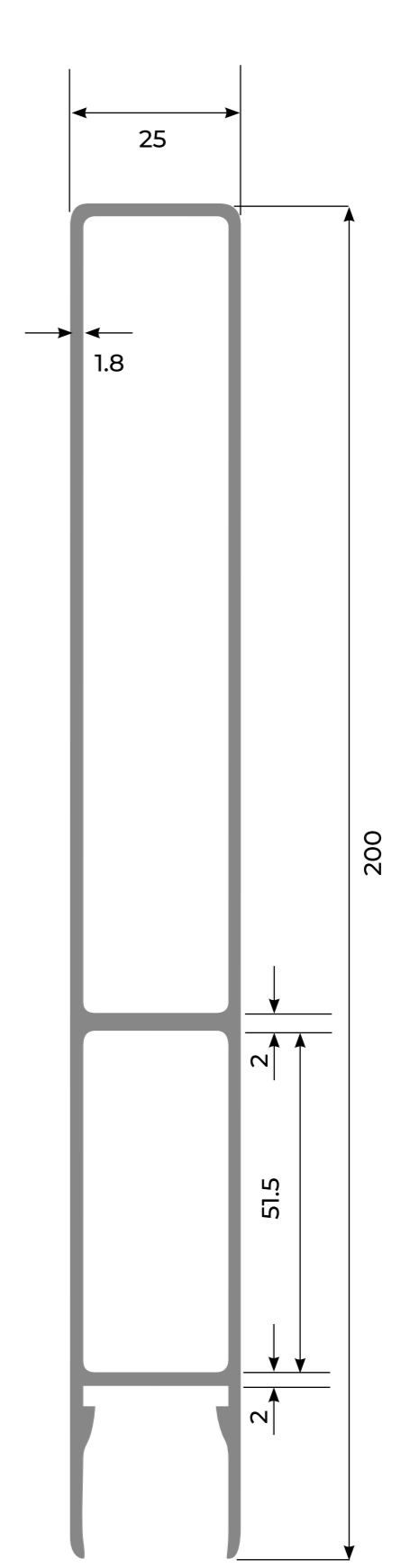


## DROPSIDE SECTIONS (RDS)

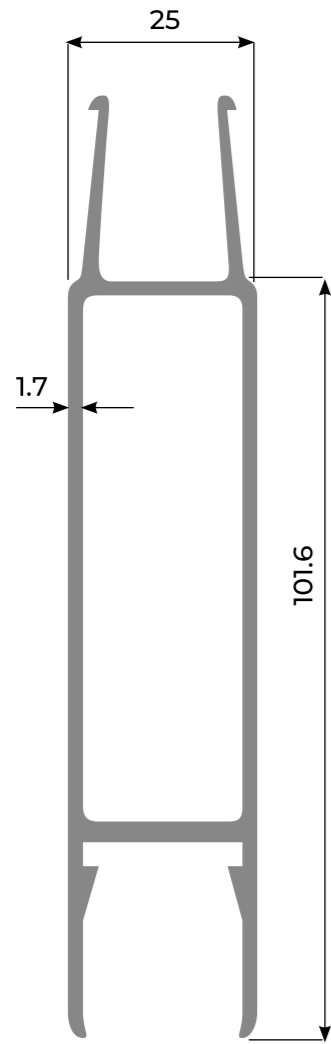
**DSBP200**  
Wt. 3.22 kg/m



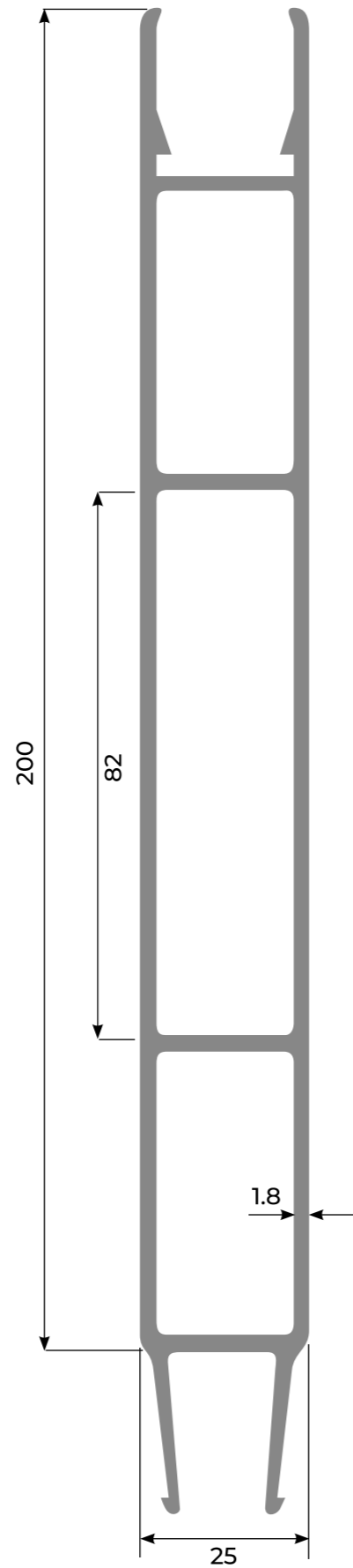
**DSTP200**  
Wt. 2.53 kg/m



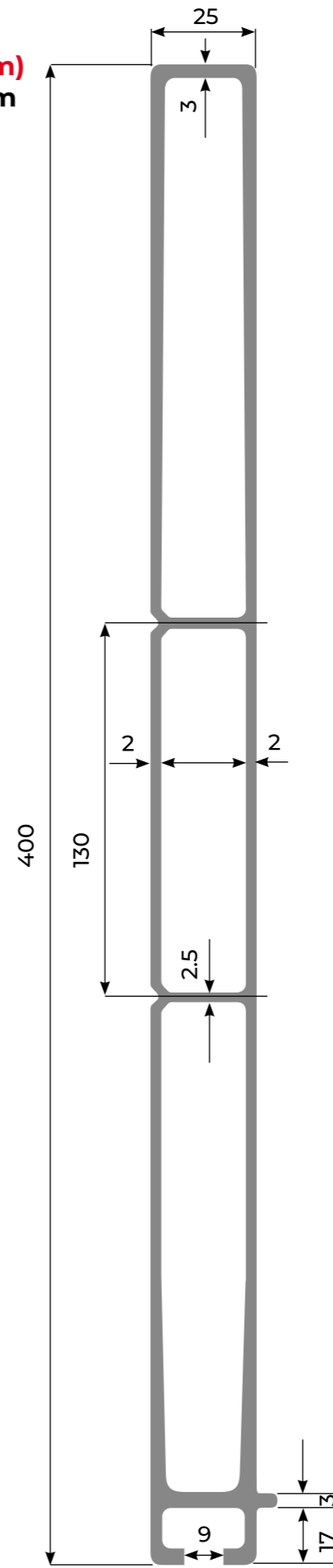
**DSIP100**  
Wt. 1.38 kg/m



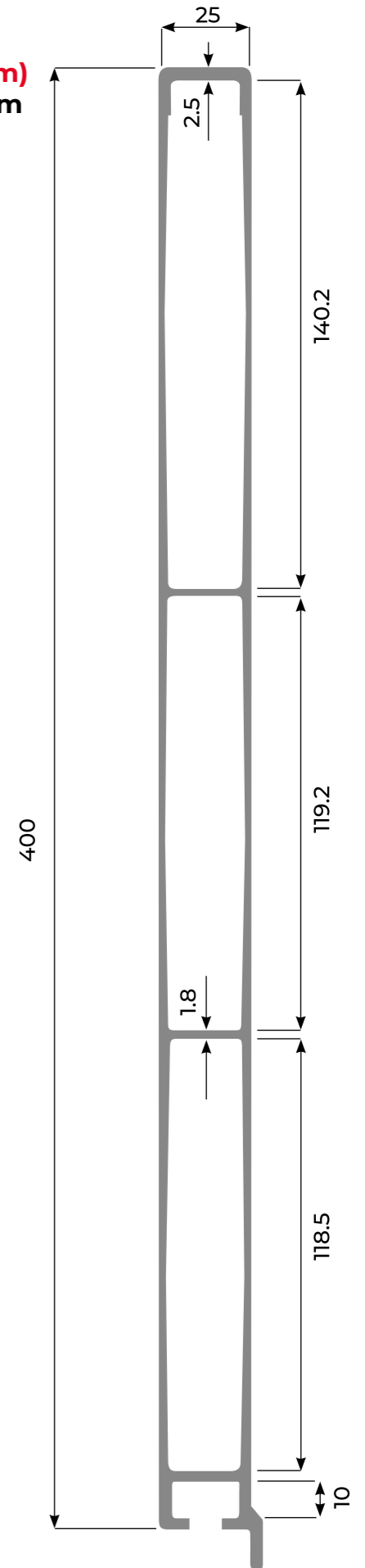
**DSIP200**  
Wt. 2.61 kg/m



**DS400**  
(IPCE 400mm)  
Wt. 5.40 kg/m

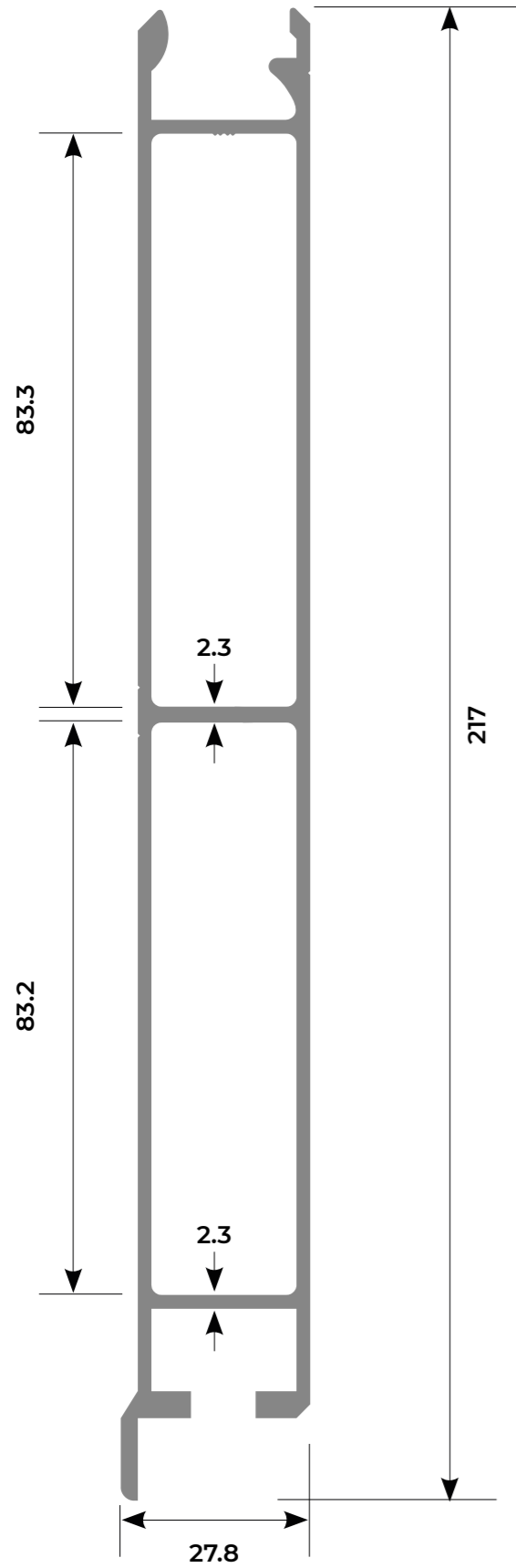


**DS400L**  
(IPCE 400mm)  
Wt. 4.80 kg/m

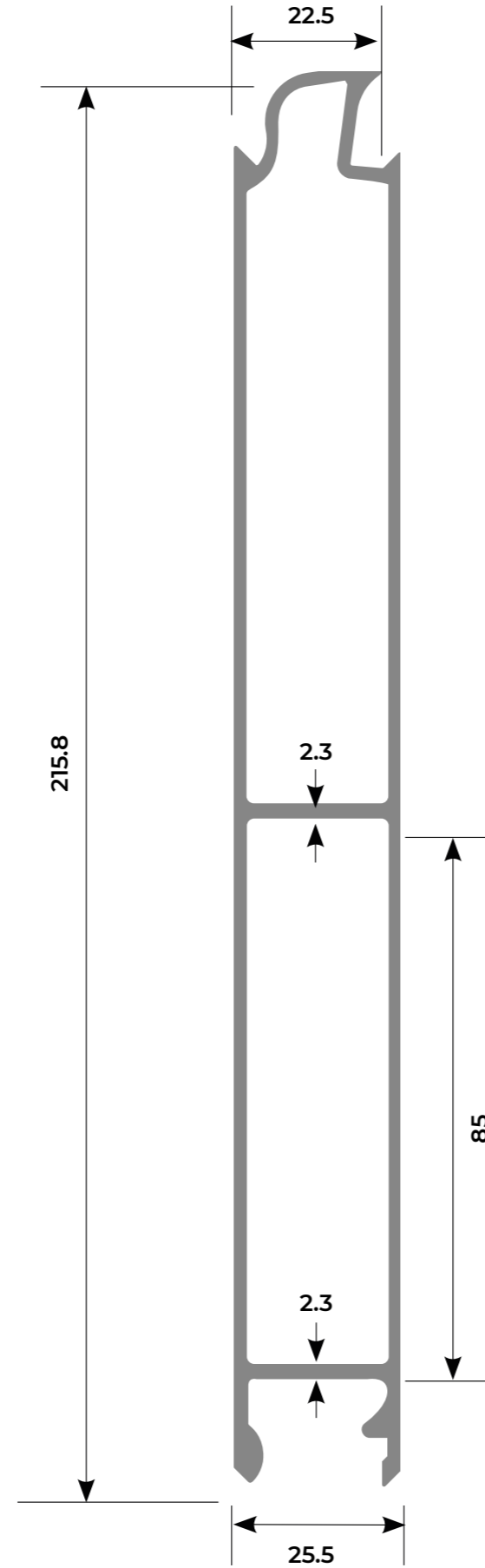


NOT 1:1 SCALE

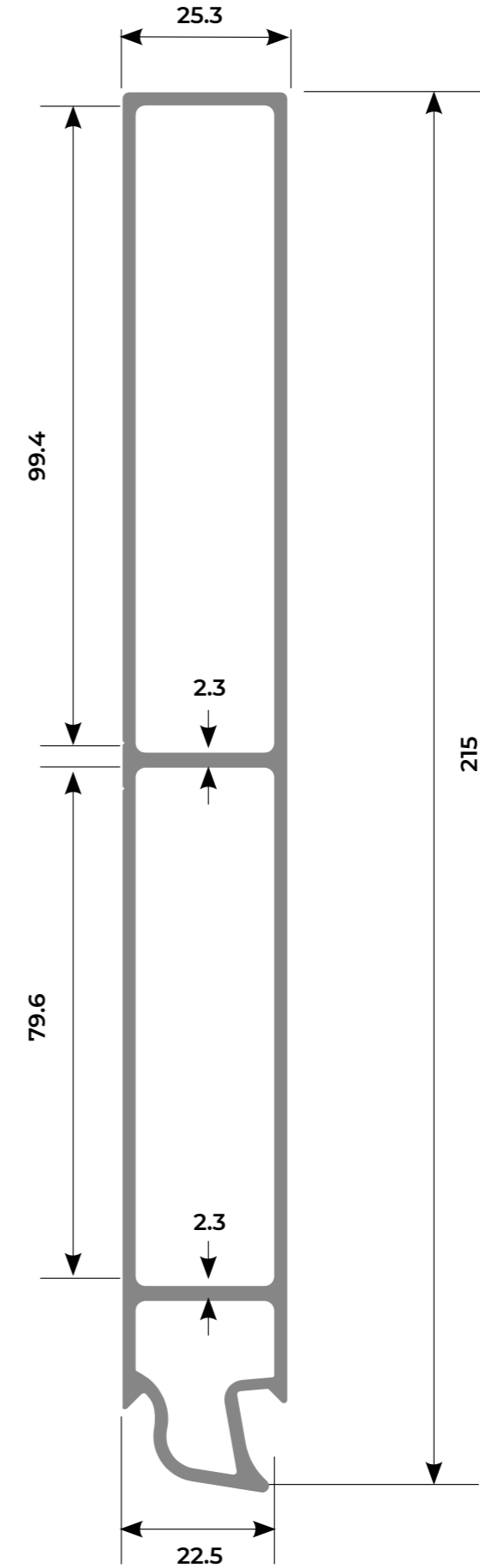
**CLIPFIT BOTTOM PLANK**  
Wt. 2.901 kg/m

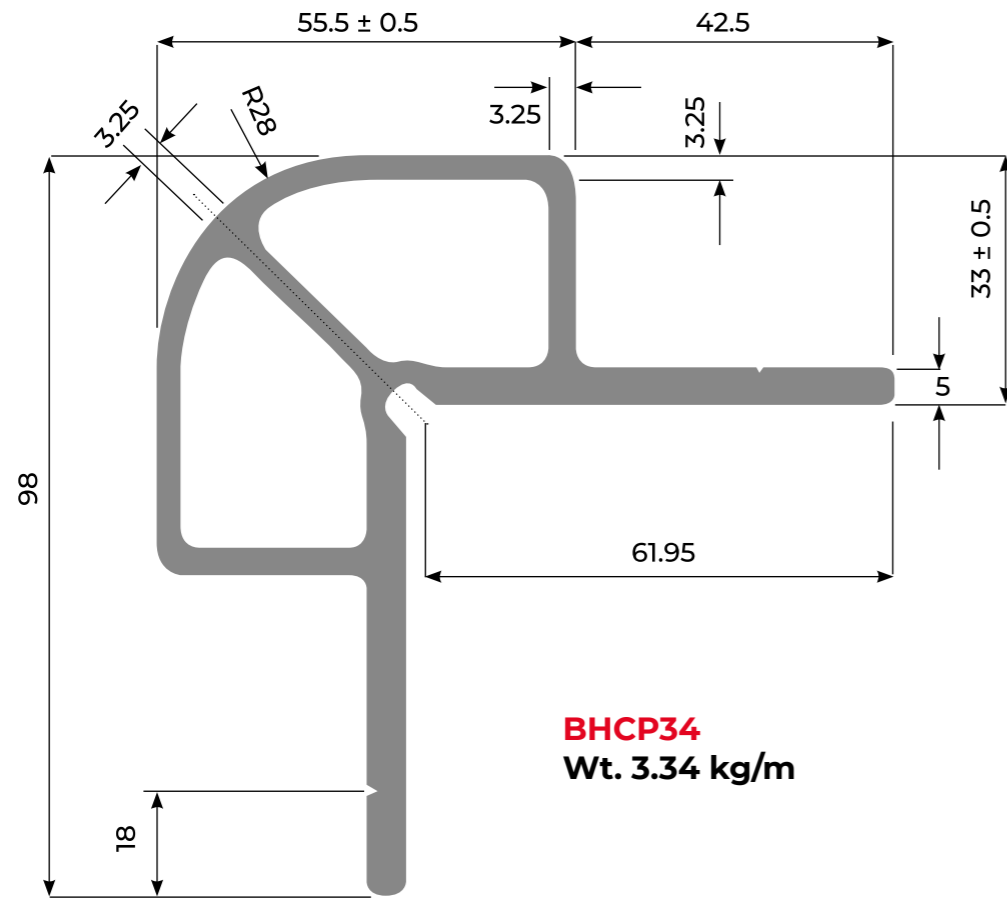


**CLIPFIT MIDDLE PLANK**  
Wt. 2.859 kg/m



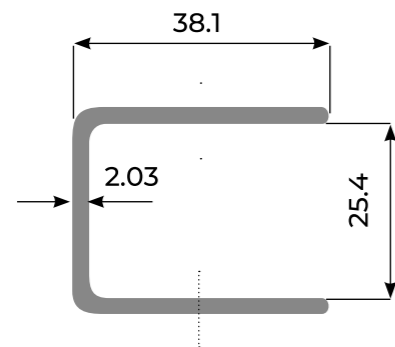
**CLIPFIT TOP PLANK**  
Wt. 2.871 kg/m





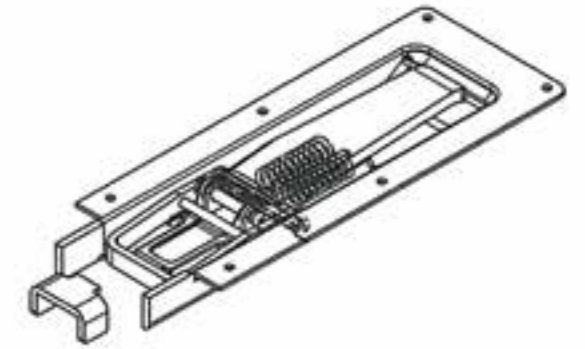
**BHCP34**  
Wt. 3.34 kg/m

Both available in 5 metre lengths.

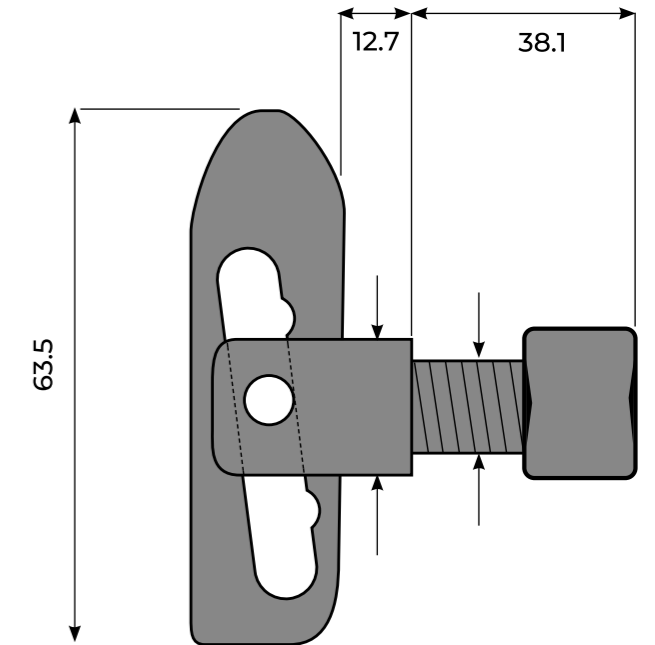


**DC140 (Hollow Plank Capping)**  
Wt. 0.54 kg/m

**Dropside Lock**



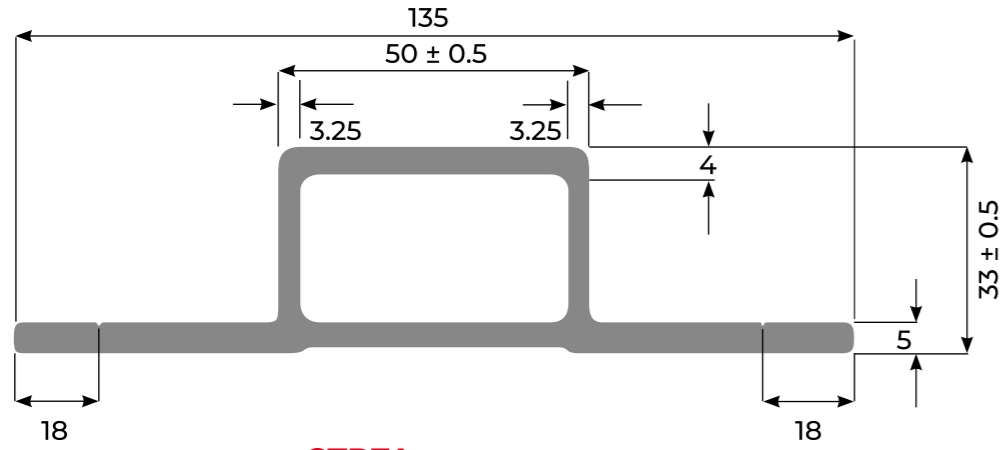
**AL63 Fastening Lug**



**DH300W Hinge Set**



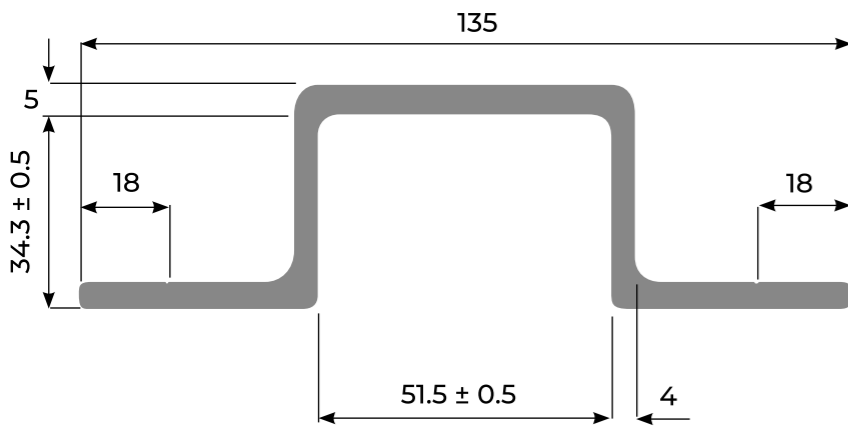
**DROPSIDE SECTIONS (RDS)**



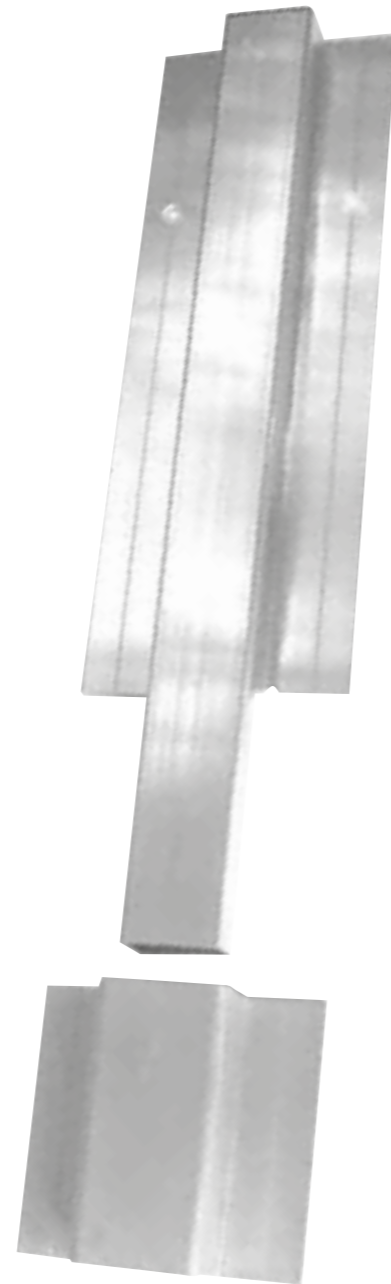
**CTR7A**  
Wt. 2.68 kg/m

Comes as a two part set.  
Available in two lengths.

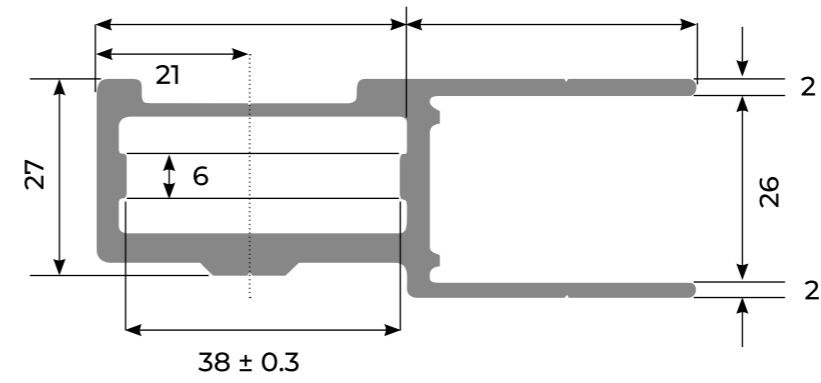
**CTR7A-400**  
**CTR7A-600**



**CTR7A Socket**  
Wt. 2.58 kg/m



**DROPSIDE SECTIONS (RDS)**

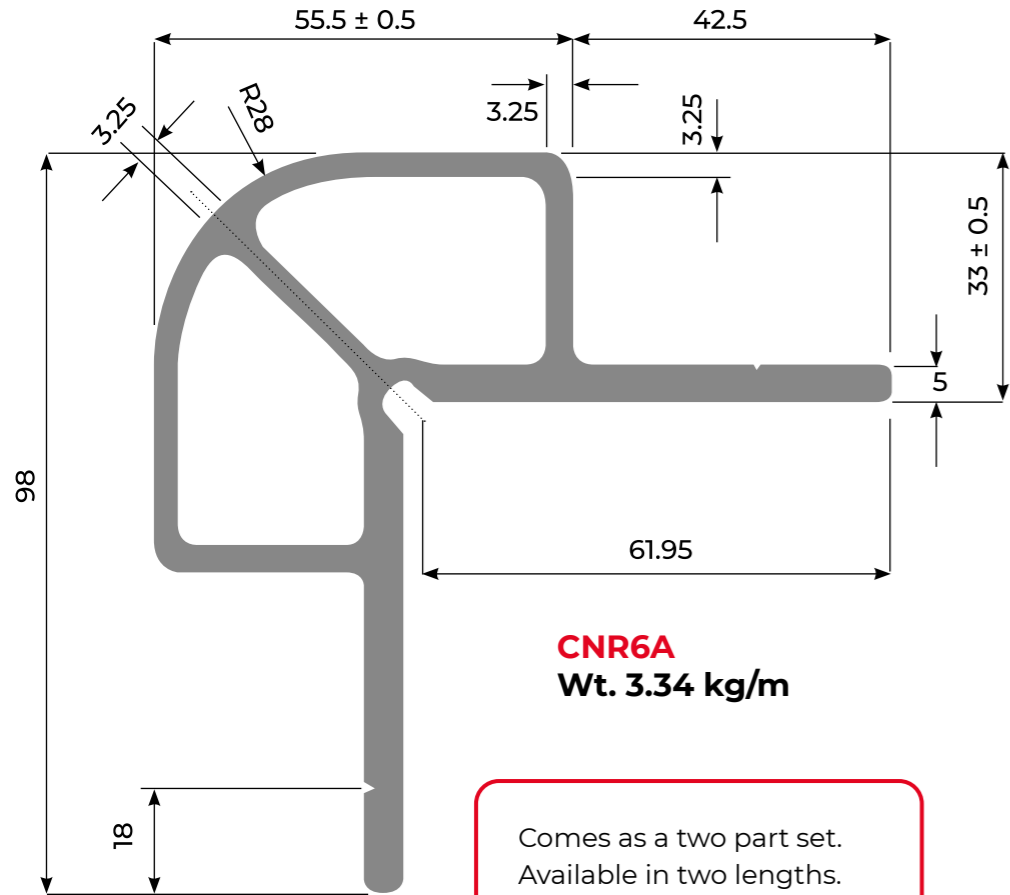


**EC8A**  
Wt. 1.68 kg/m

Comes as a two part set.  
Available in two lengths.

**EC8A-400**  
**EC8A-600**

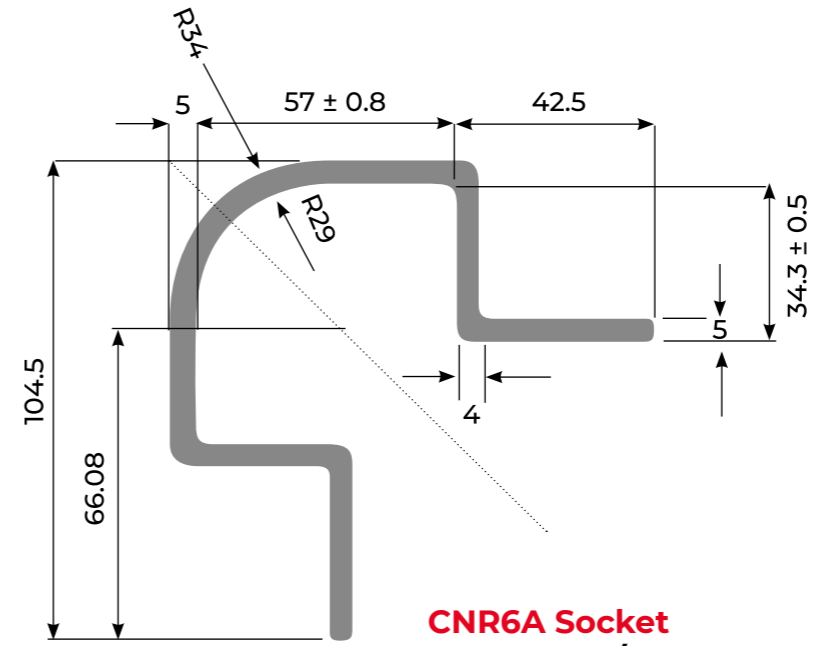




**CNR6A**  
Wt. 3.34 kg/m

Comes as a two part set.  
Available in two lengths.

**CNR6A-400**  
**CNR6A-600**



**CNR6A Socket**  
Wt. 3.32 kg/m



# ZEDS & MOULDINGS

## ZEDS

GZ28 Page 63

GZ37 Page 63

## MOULDINGS

M109 Page 63

FH3 Page 63

M118 Page 63

FH70 Page 63

M102 Page 64

M103 Page 64

M104 Page 64

M116 Page 64

M306 Page 64

M107 Page 65

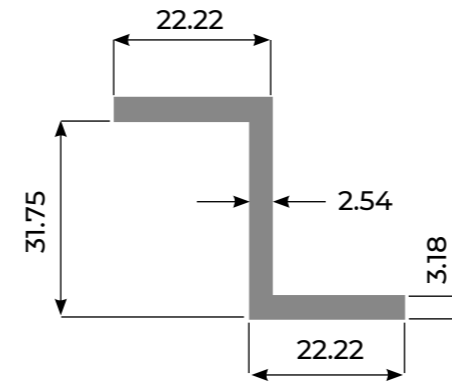
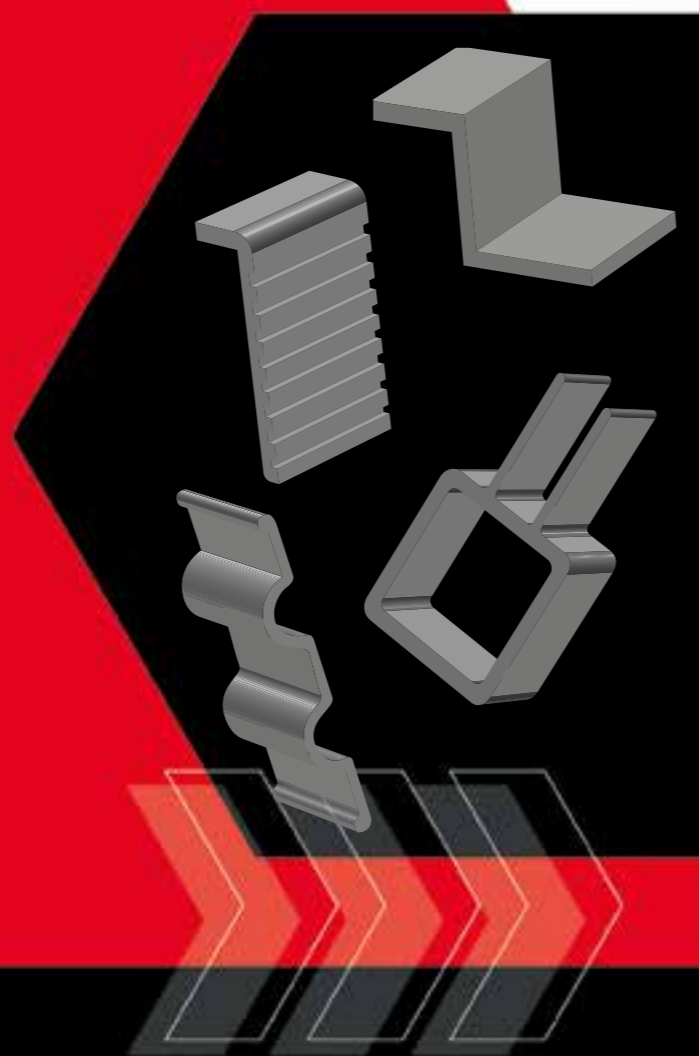
M106 Page 65

M101 Page 65

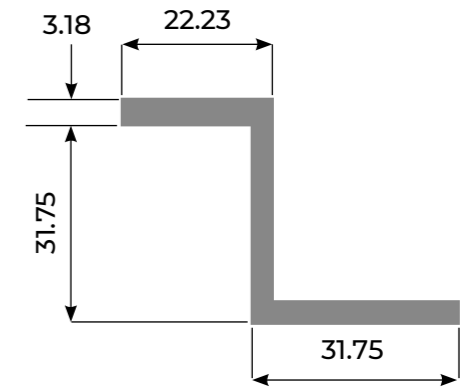
M150 Page 65

M105 Page 65

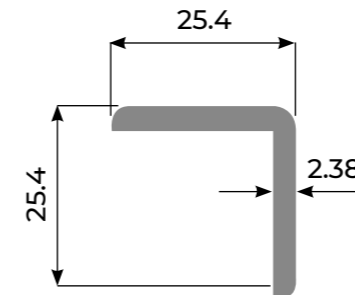
M200 Page 65



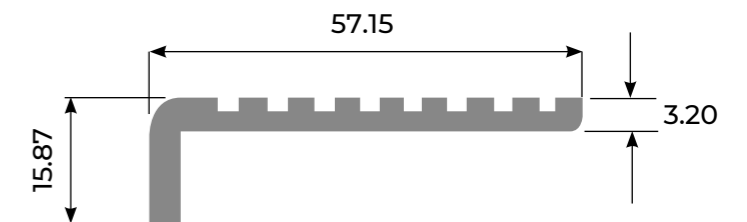
**GZ28**  
Wt. 0.55 kg/m



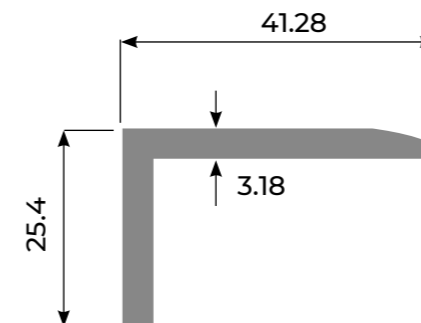
**GZ37**  
Wt. 0.66 kg/m



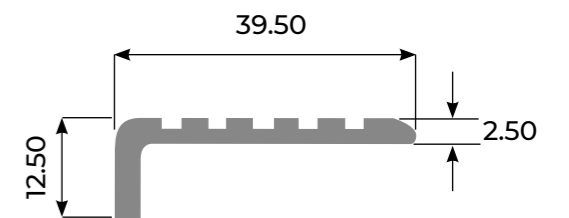
**M109**  
Wt. 0.30 kg/m



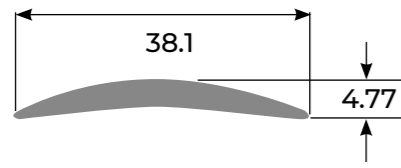
**FH3**  
Wt. 0.50 kg/m



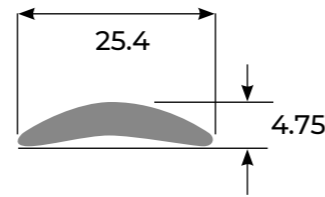
**M118**  
Wt. 0.52 kg/m



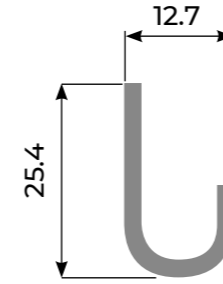
**FH70**  
Wt. 0.27 kg/m



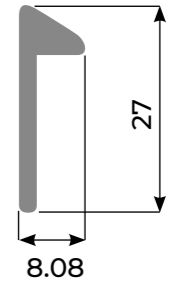
**M102**  
Wt. 0.27 kg/m



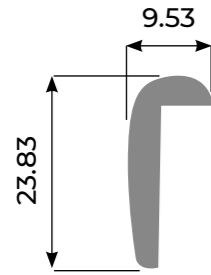
**M103**  
Wt. 0.20 kg/m



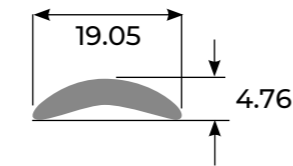
**M107 (1" 1/2" JMoulding)**  
Wt. 0.19 kg/m



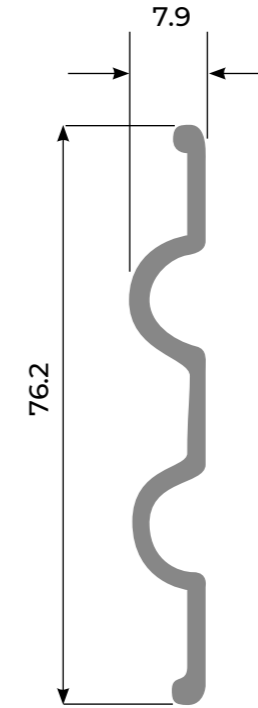
**M106**  
Wt. 0.14 kg/m



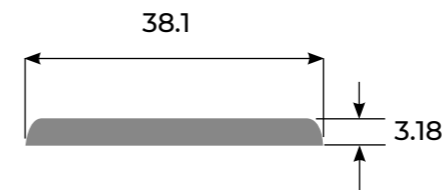
**M116**  
Wt. 0.22 kg/m



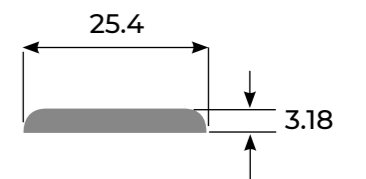
**M104**  
Wt. 0.14 kg/m



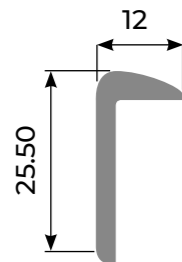
**M101**  
Wt. 0.43 kg/m



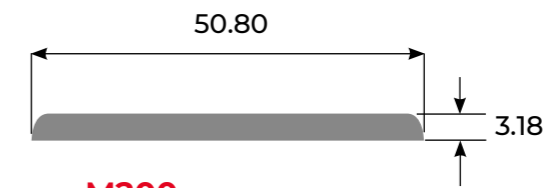
**M150**  
Wt. 0.33 kg/m



**M105**  
Wt. 0.21 kg/m



**M306**  
Wt. 0.23 kg/m

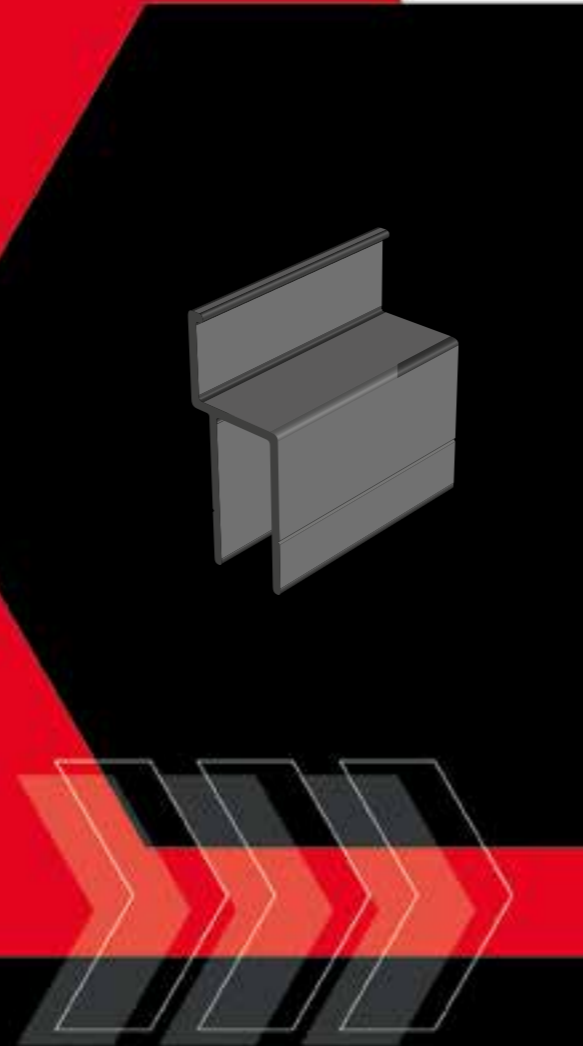


**M200**  
Wt. 0.44 kg/m

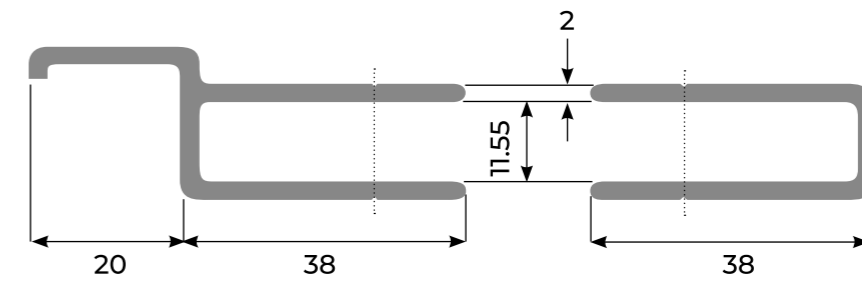
# DOOR CAPPINGS

## DOOR CAPPINGS

DC1P11	Page 67
DC2P11	Page 67
DC1P14	Page 67
DC2P14	Page 67
DC1P17	Page 67
DC2P17	Page 67
DC1P22	Page 67
DC2P22	Page 67

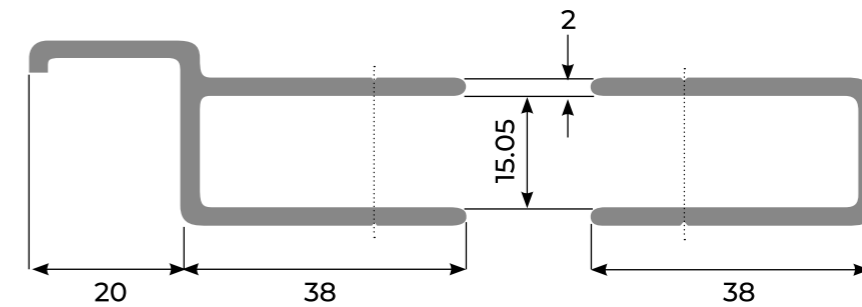


**DC1P11**  
Wt. 0.62 kg/m



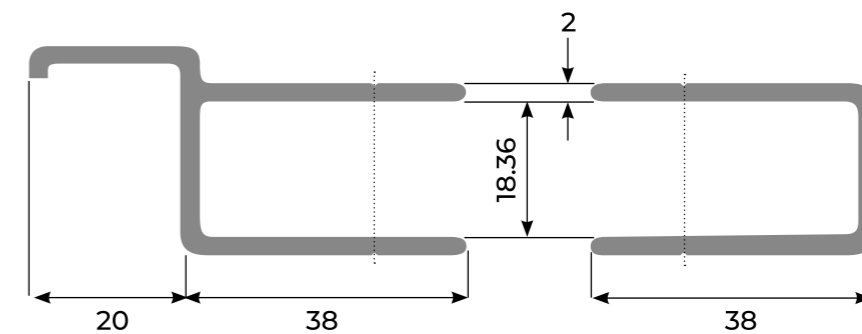
**DC2P11**  
Wt. 0.47 kg/m

**DC1P14**  
Wt. 0.65 kg/m



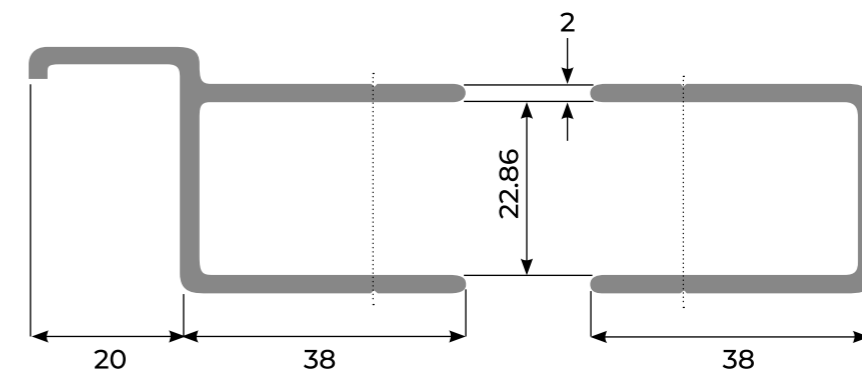
**DC2P14**  
Wt. 0.49 kg/m

**DC1P17**  
Wt. 0.68 kg/m



**DC2P17**  
Wt. 0.51 kg/m

**DC1P22**  
Wt. 0.66 kg/m

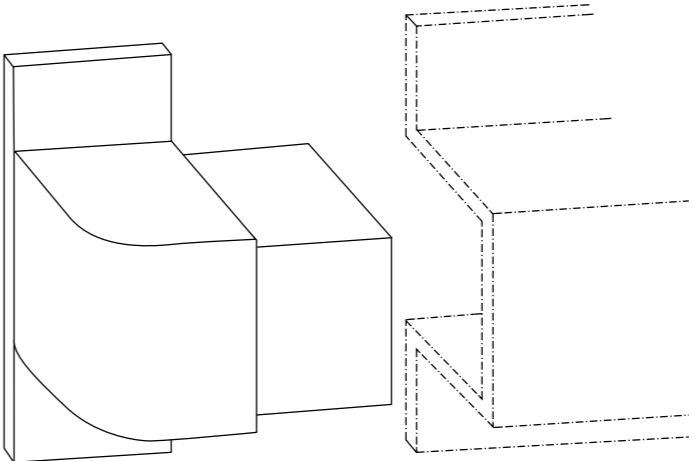


**DC2P22**  
Wt. 0.53 kg/m

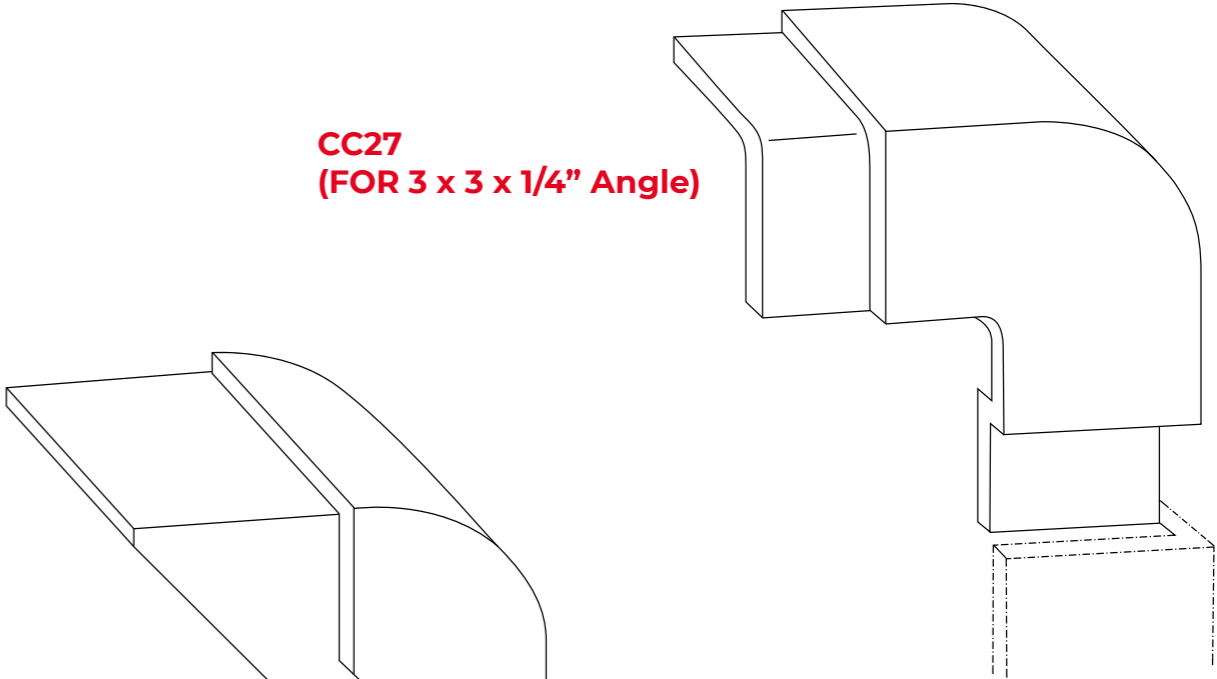
# ALUMINIUM CASTINGS

## ALUMINIUM CASTINGS

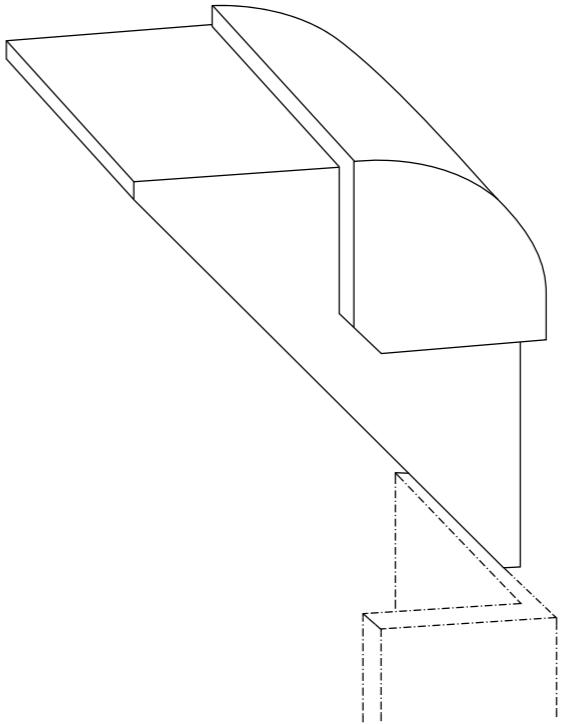
CC14	Page 69
CC27	Page 69
CC26	Page 69
CC35	Page 70
CC38	Page 70
CC28	Page 70
CC31R	Page 71
CC31S	Page 71
CC127R	Page 71
CC127S	Page 71
CC80	Page 72
CC36	Page 72
CC50R	Page 72
CC50S	Page 72
CC75R	Page 72
CC75S	Page 72



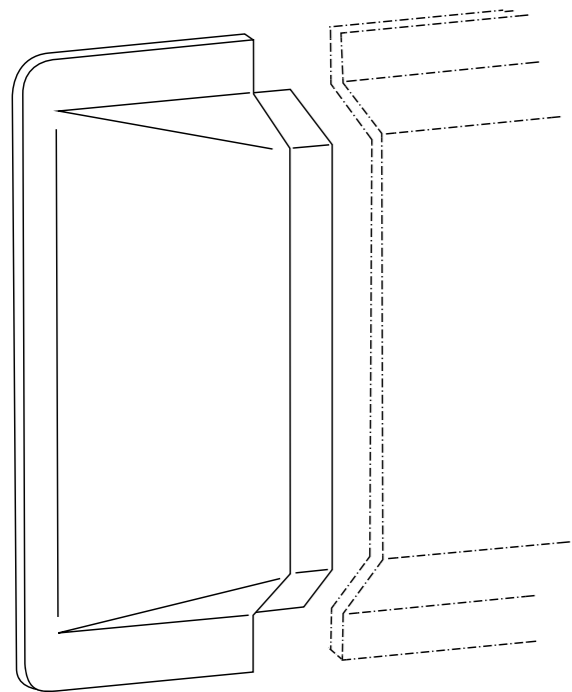
**CC14  
(FOR TH2)**



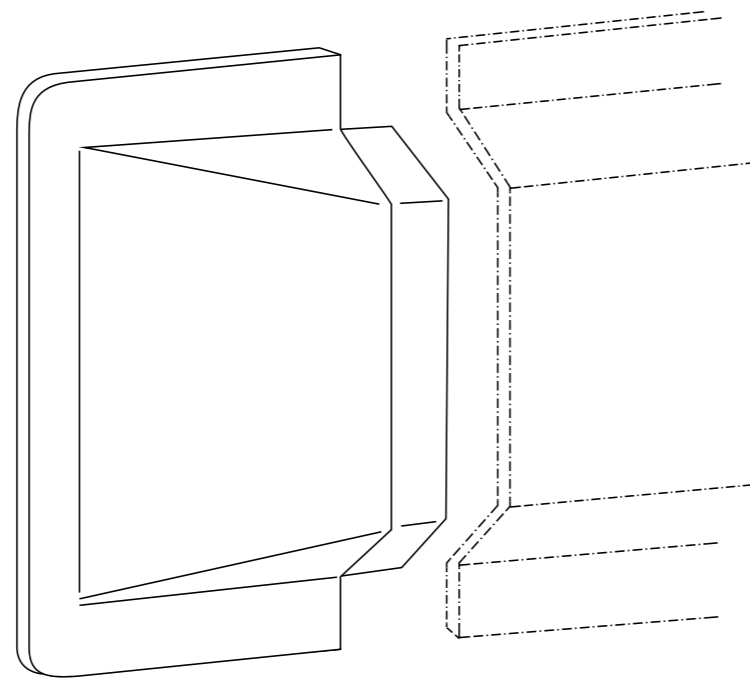
**CC27  
(FOR 3 x 3 x 1/4" Angle)**



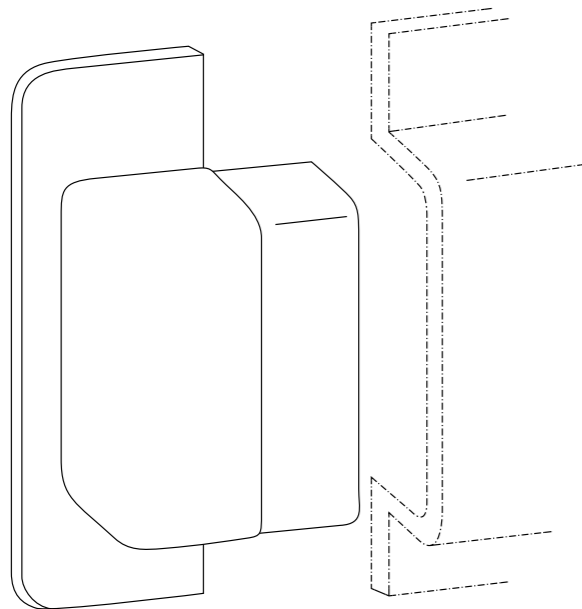
**CC26  
(FOR 3 x 2 x 1/4" Angle)**



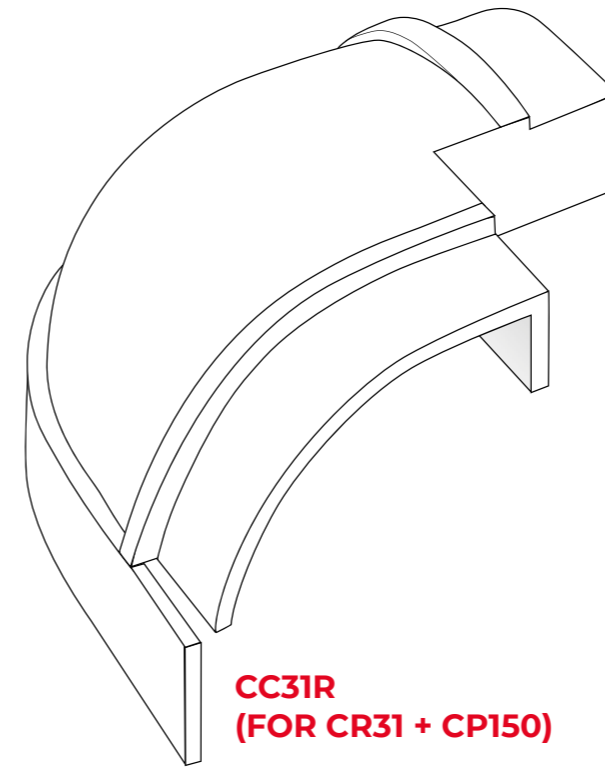
CC35  
(FOR TH90)



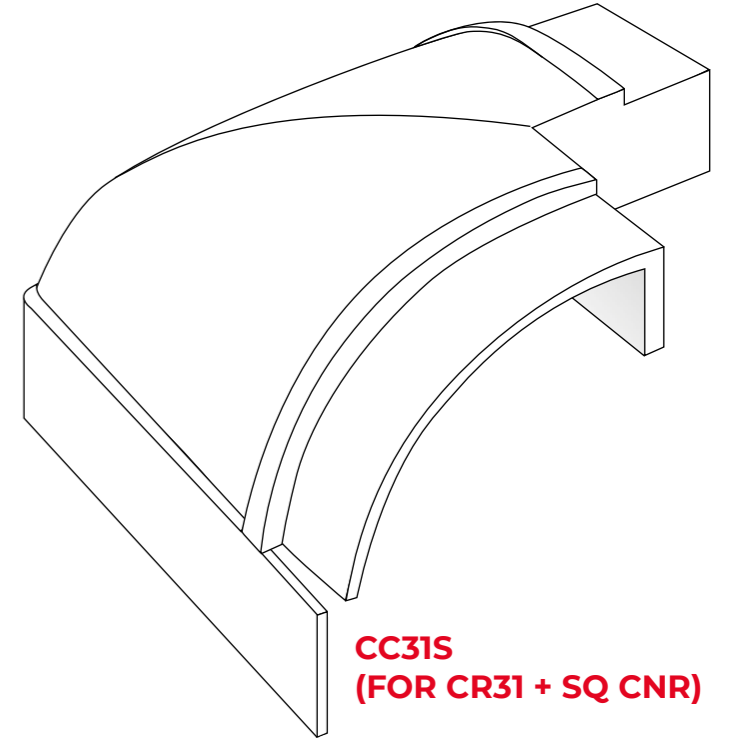
CC38  
(FOR TH61)



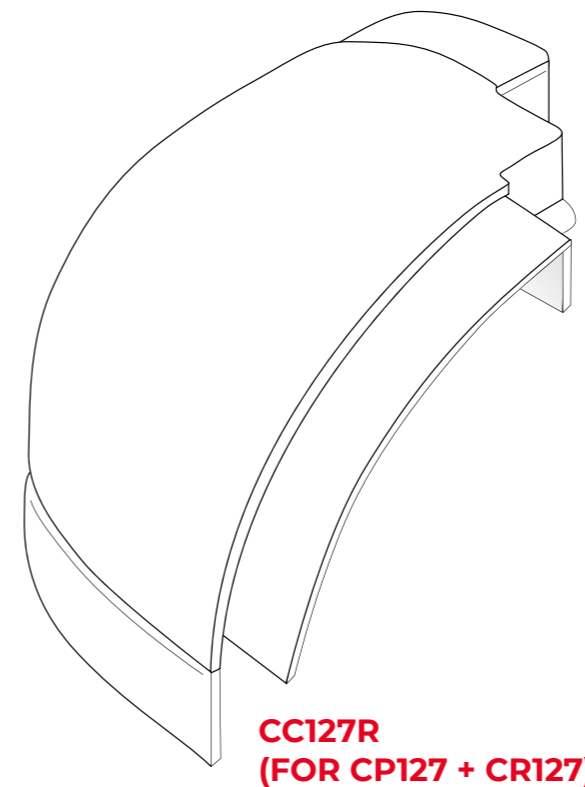
CC28  
(FOR TH14)



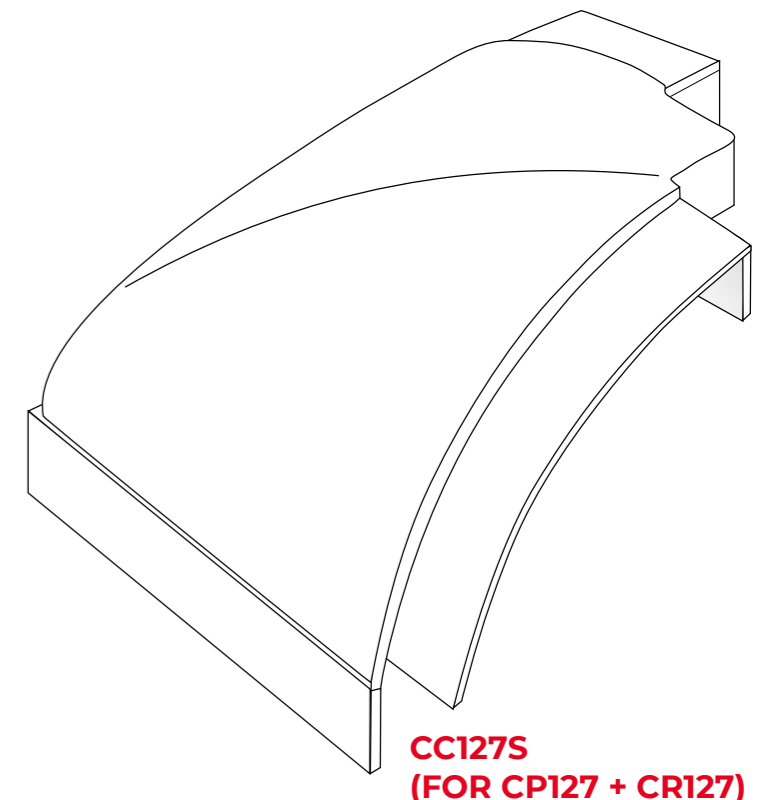
CC31R  
(FOR CR31 + CP150)



CC31S  
(FOR CR31 + SQ CNR)

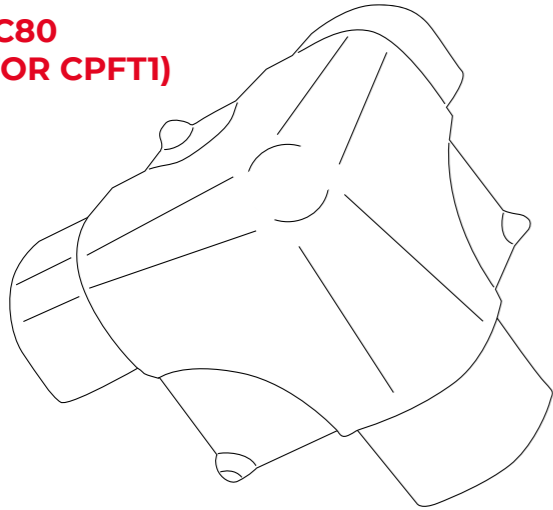


CC127R  
(FOR CP127 + CR127)

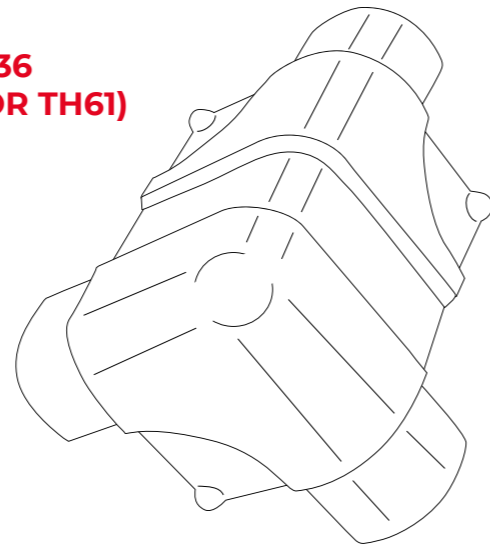


CC127S  
(FOR CP127 + CR127)

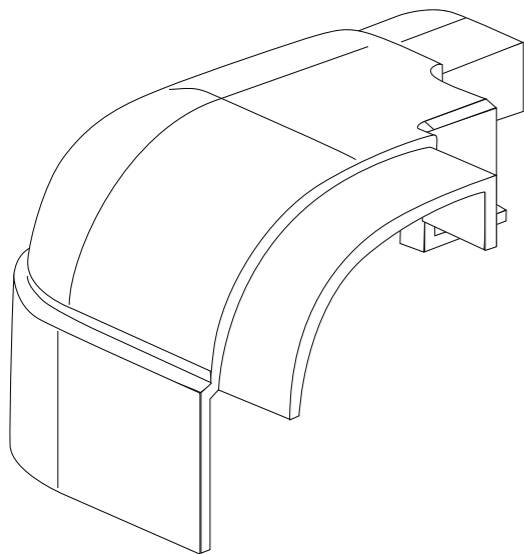
CC80  
(FOR CPFT1)



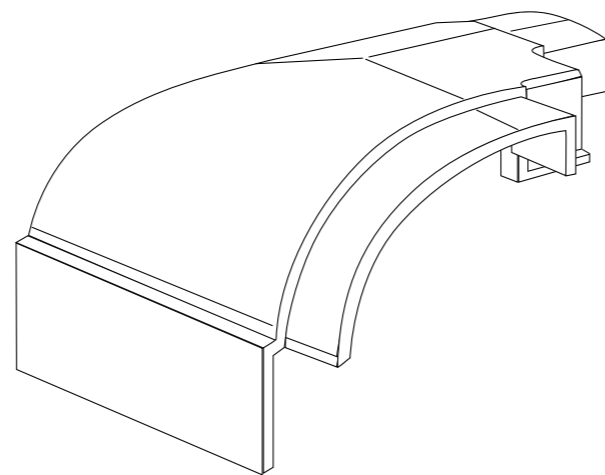
CC36  
(FOR TH61)



CC50R  
CC75R  
(FOR CCP14R + CCP17R)



CC50S  
CC75S  
(FOR CCP14S + CCP17S)

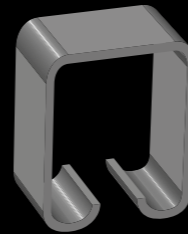


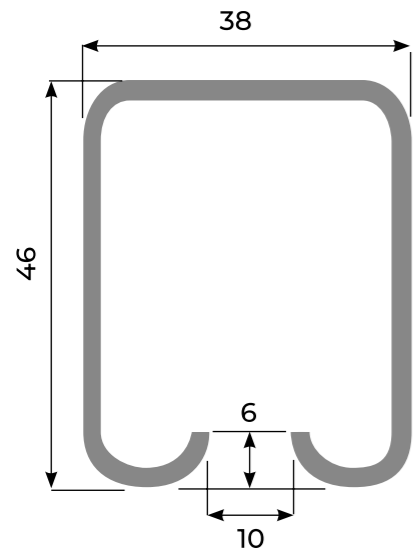
# CURTAIN TRACK

CURTAIN TRACK

Curtain Track

Page 75





**Curtain Track**

Material 2.0mm  
Galvanised Mild Steel  
Wt 0.84 kg/m

# GRP SYSTEMS

**GRP DIAGRAMS**

GRP 2" Box Captive System Diagram	Page 76
GRP 3" Box Captive System Diagram	Page 77
GRP - All Parts Diagram	Page 78
Load Lok Track 1806	Page 79
Timber Tie Rail	Page 79

**GRP SYSTEMS**

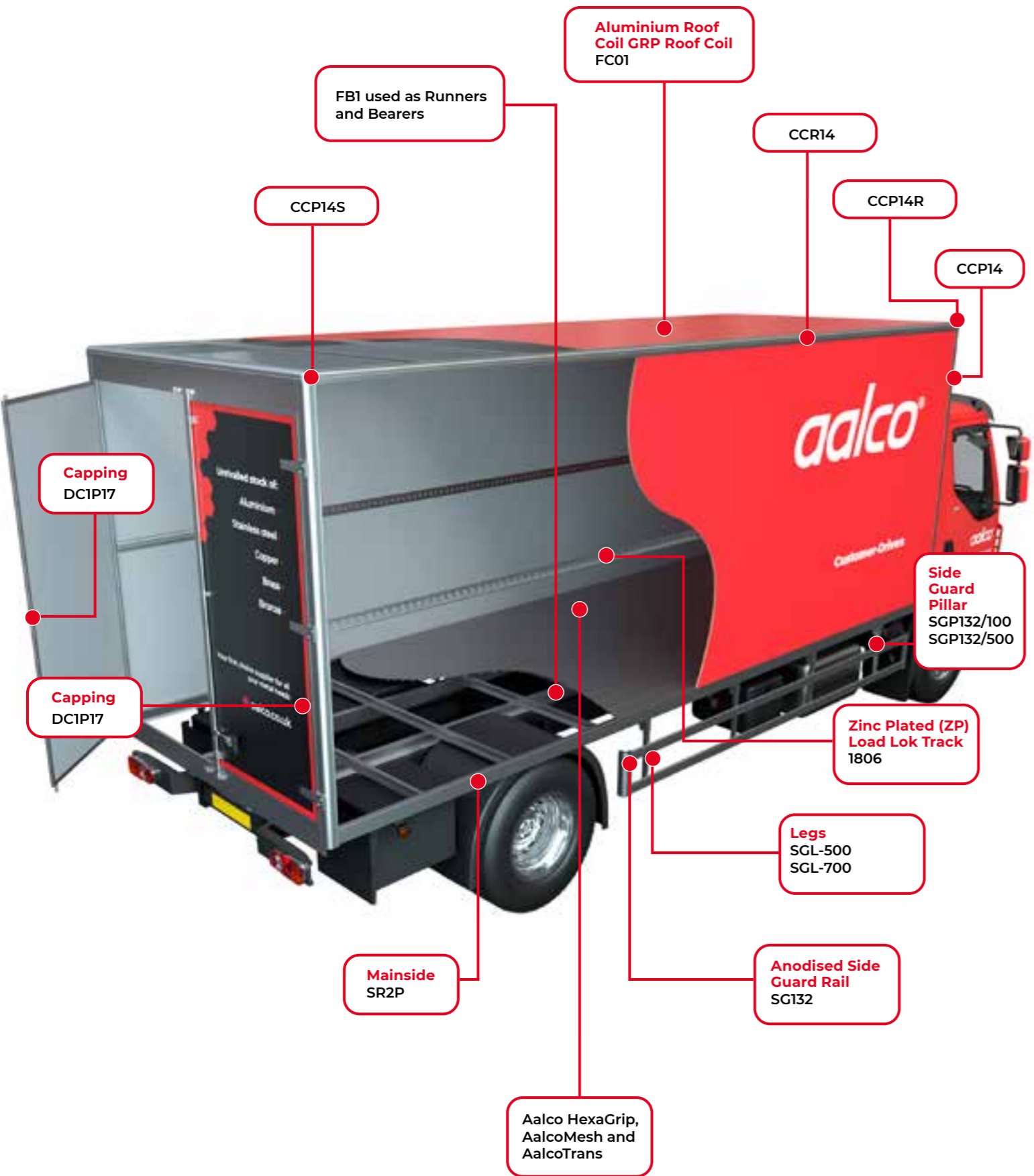
2" Standard GRP Box System	Page 80
3" Standard GRP Box System	Page 81
Alternative 3" Standard GRP Box System	Page 82
2" Captive GRP System	Page 83
3" Captive GRP System	Page 85
5" GRP System	Page 85

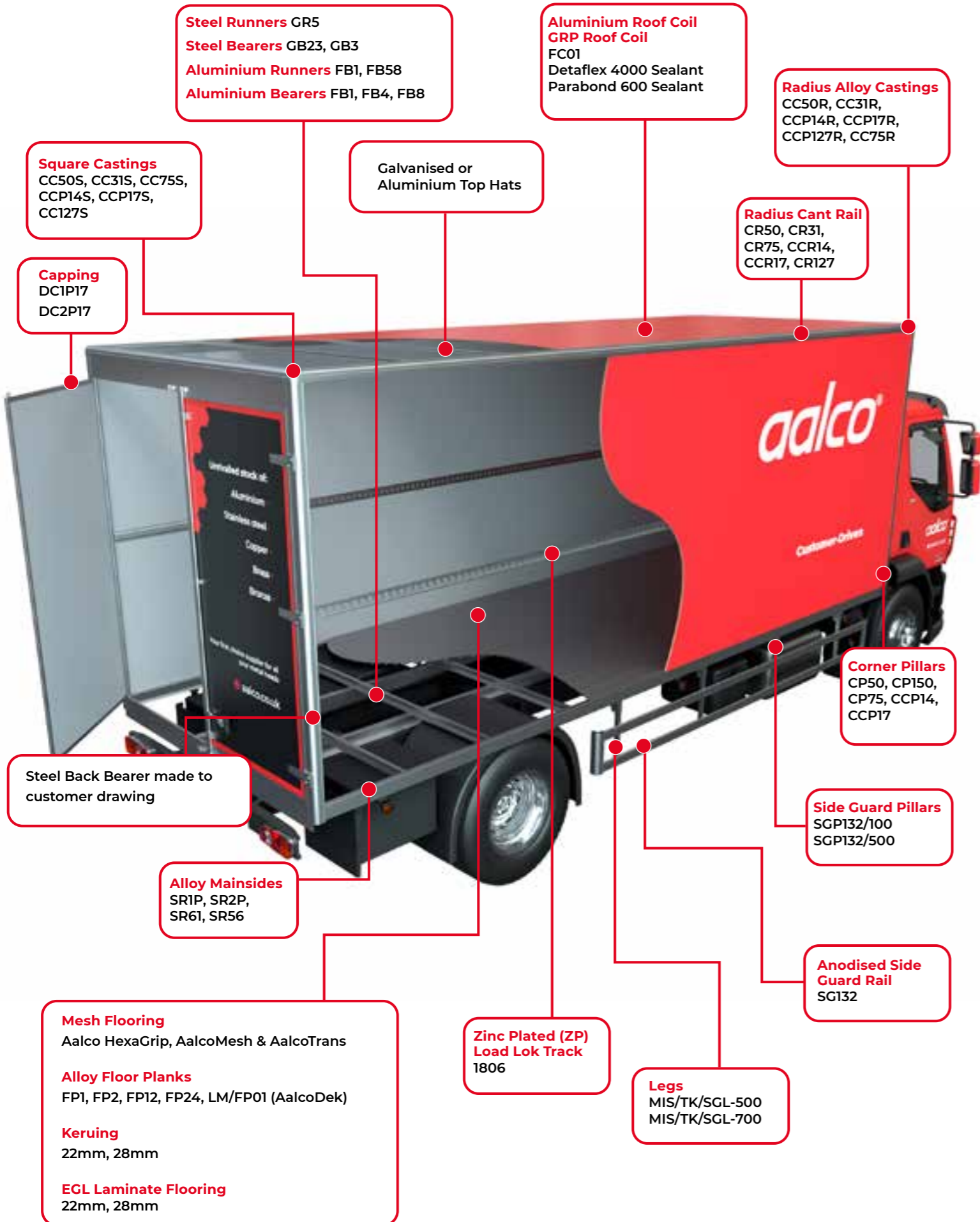
**GRP PANELLING**

CPR	Page 86
CPRV	Page 86
NAPS Range	Page 87
GRP Liner Panels	Page 88
PER Range	Page 88
ISS	Page 89
ISP	Page 89
NIDALIT	Page 90
NIDALIT Non Slip	Page 90

**GRP BOX 2" CAPTIVE SYSTEM DIAGRAM**

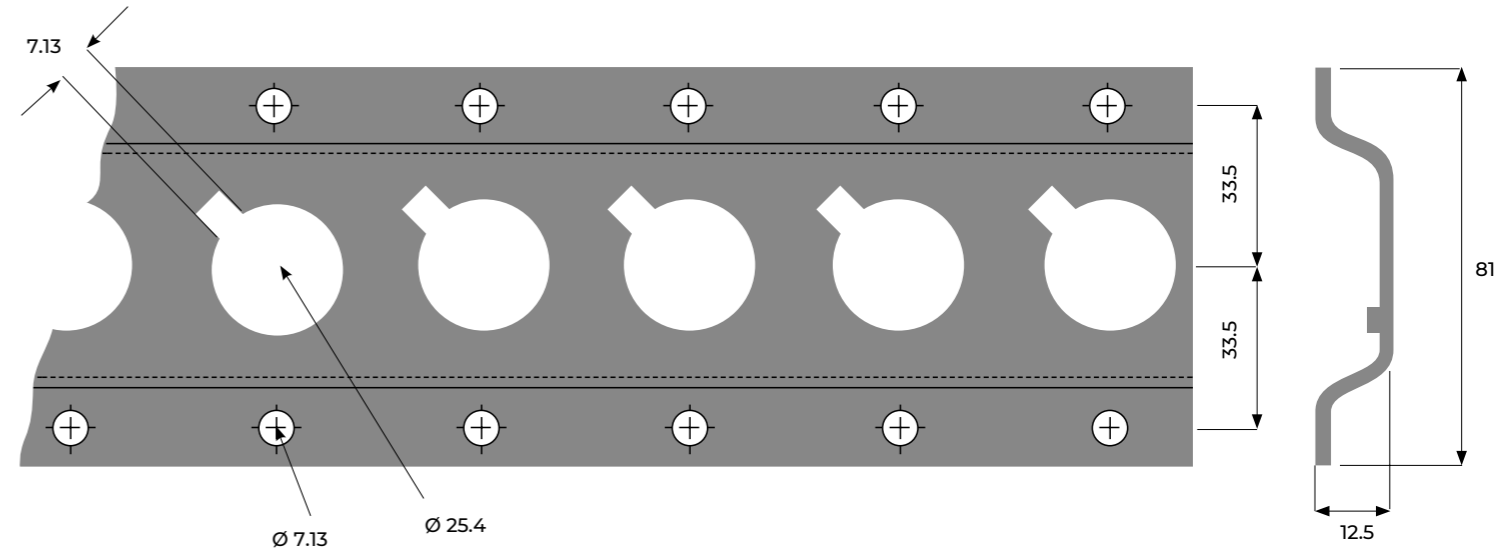
**GRP BOX 3" CAPTIVE SYSTEM DIAGRAM**





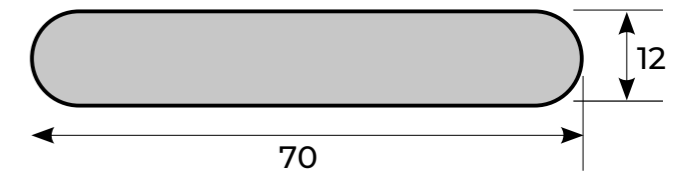
**Zinc Plated (ZP) Load Lok Track 1806**  
**Wt. 2.68 kg/m**  
 25mm thickness

Also available in Bright Zinc Plated material, in 2.0, 2.3, 2.5 and 3mm gauge



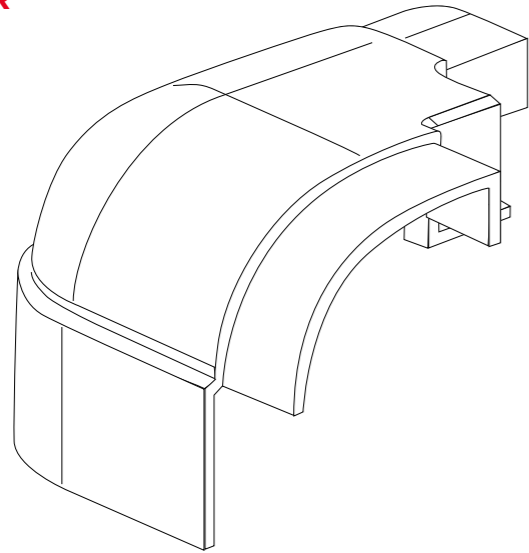
**Timber Tie Rail**  
**IMTR**

Hardwood timber tie rail 5.9m lengths

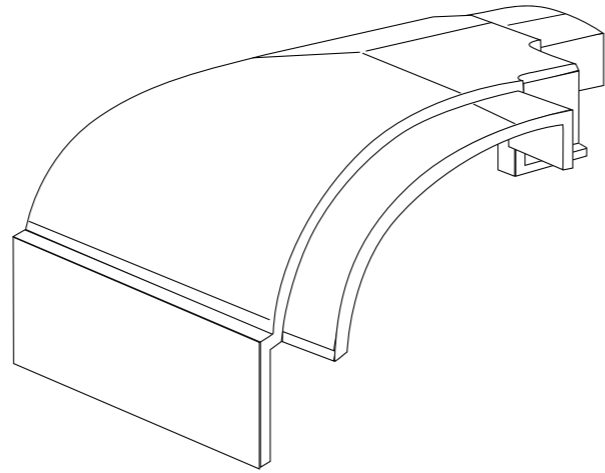


**2" STANDARD GRP BOX SYSTEM**

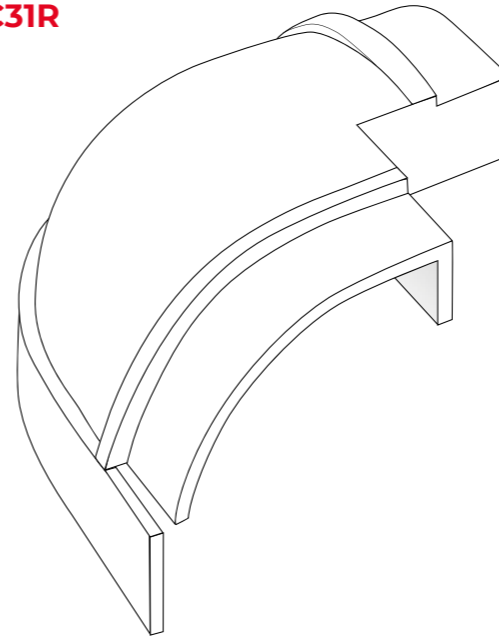
**CC50R**



**CC50S**

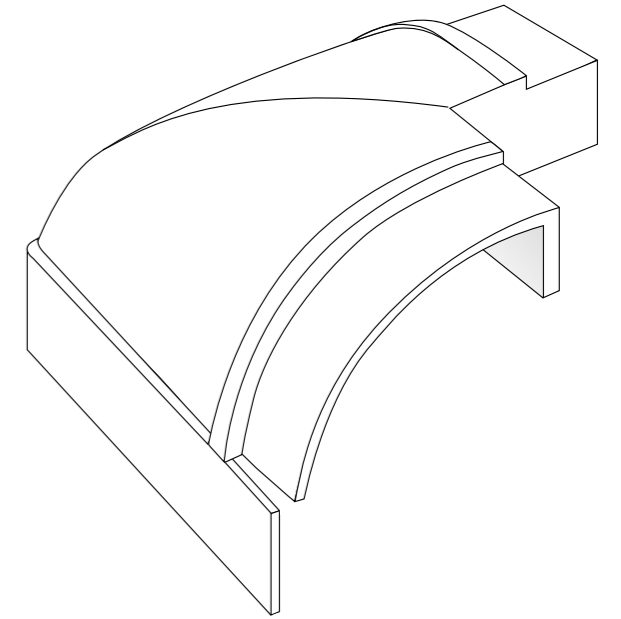


**CC31R**

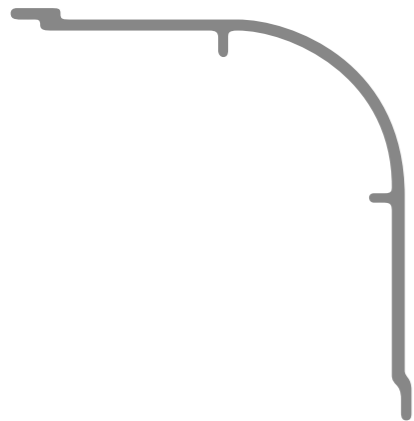


**3" STANDARD GRP BOX SYSTEM**

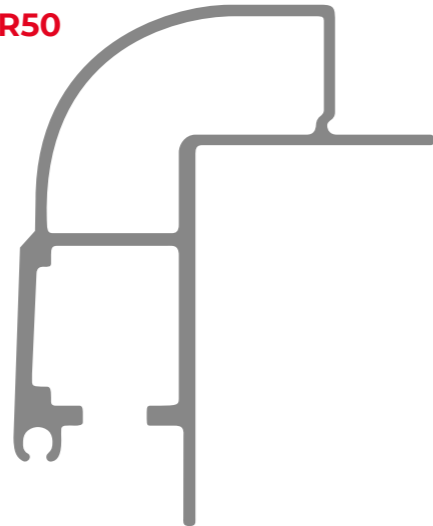
**CC31S**



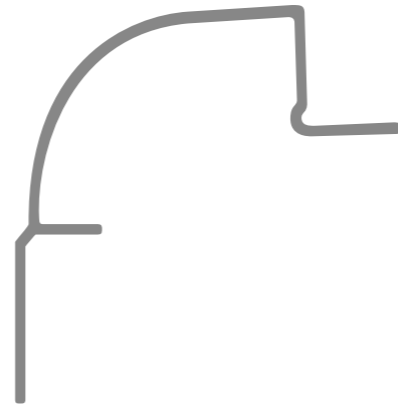
**CP50**



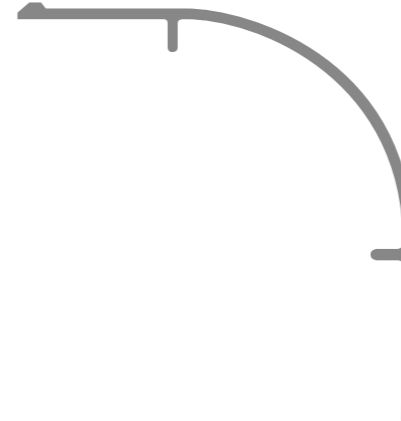
**CCR50**



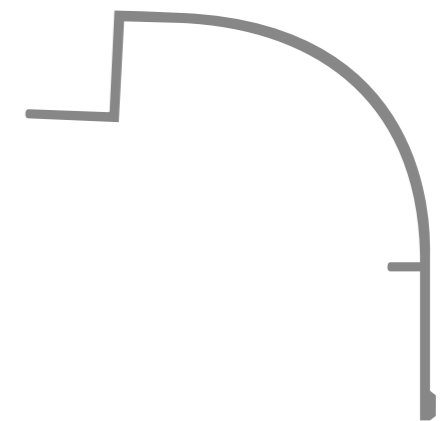
**CR50**



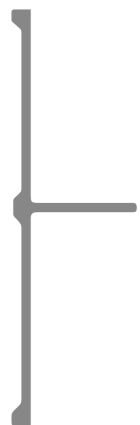
**CP150**



**CR31**



**SR61**



**SR1P**



**SR2P**



**SR56**



**SR61**



**SR1P**



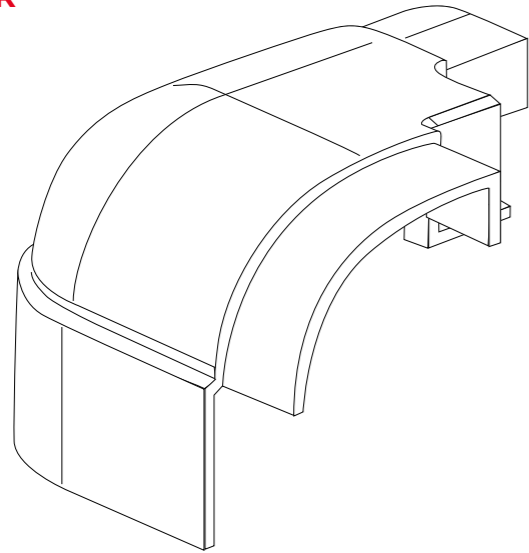
**SR2P**



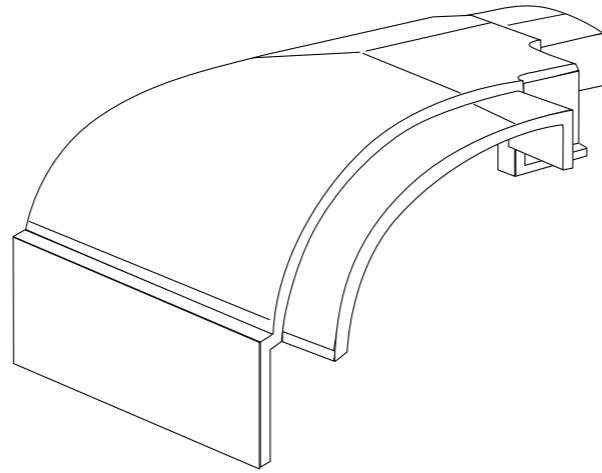
**SR56**



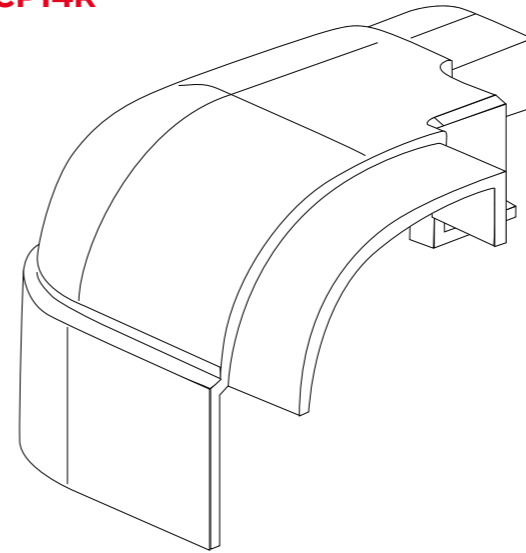
CC75R



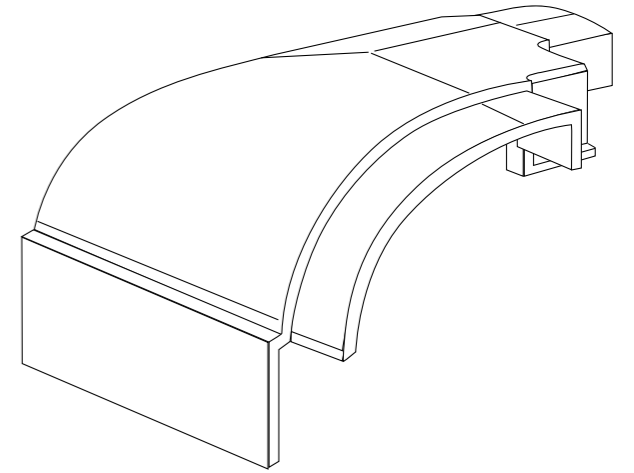
CC75S



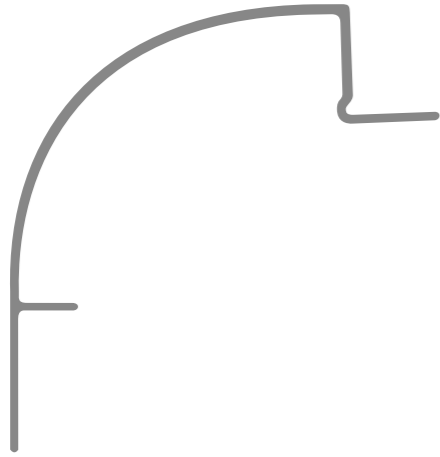
CCP14R



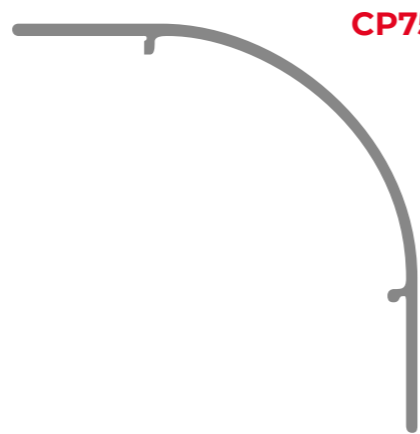
CCP14S



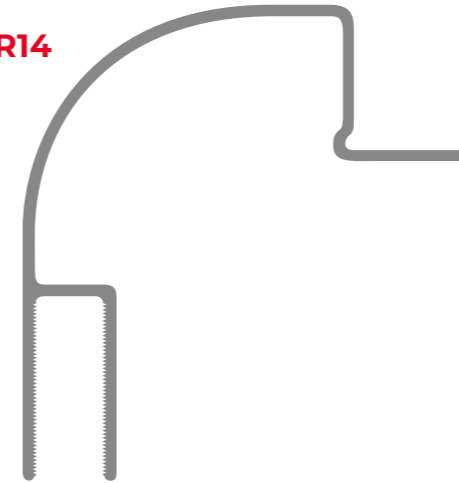
CR75



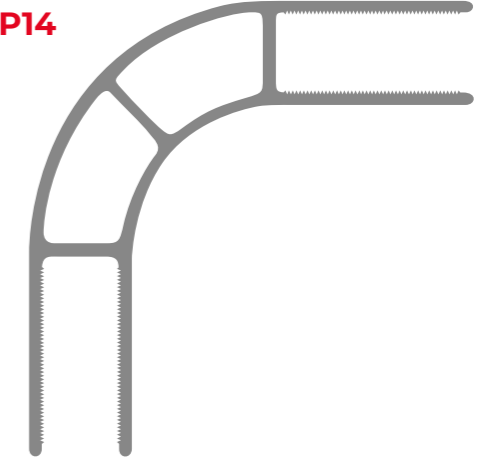
CP75



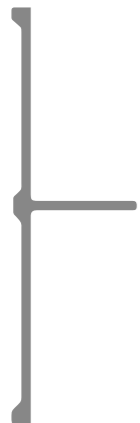
CCR14



CCP14



SR61



SR1P



SR2P



SR56



SR61



SR1P



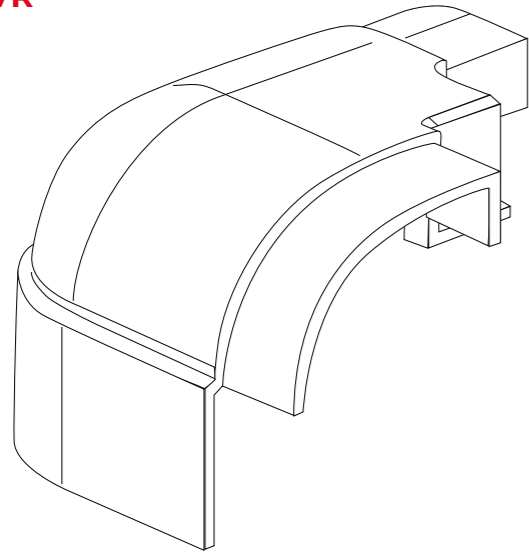
SR2P



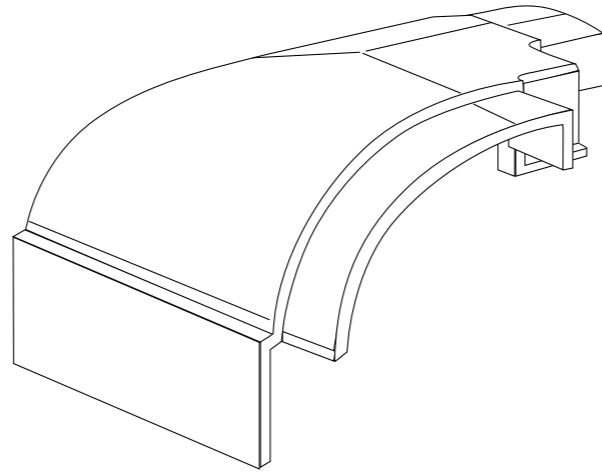
SR56



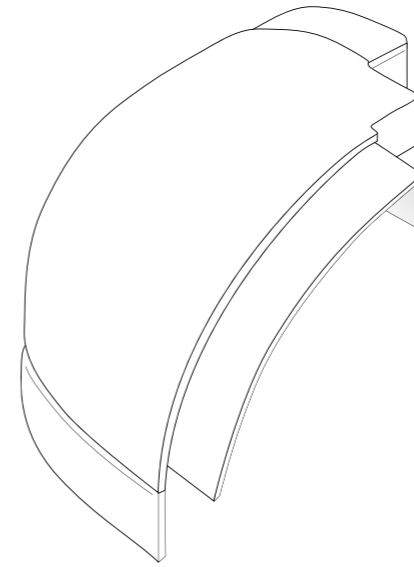
CCP17R



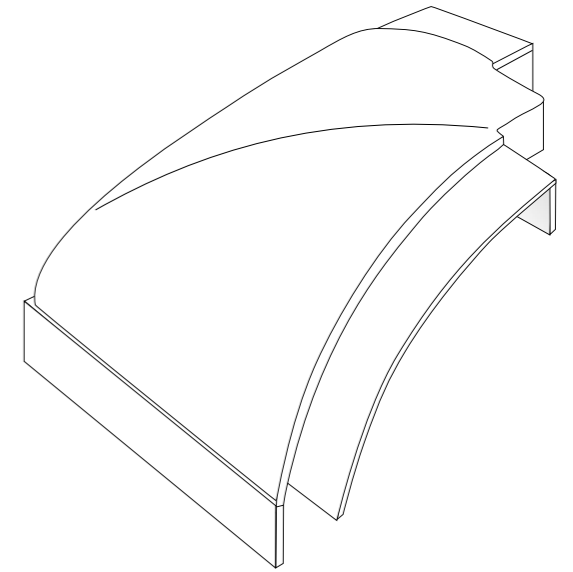
CCP17S



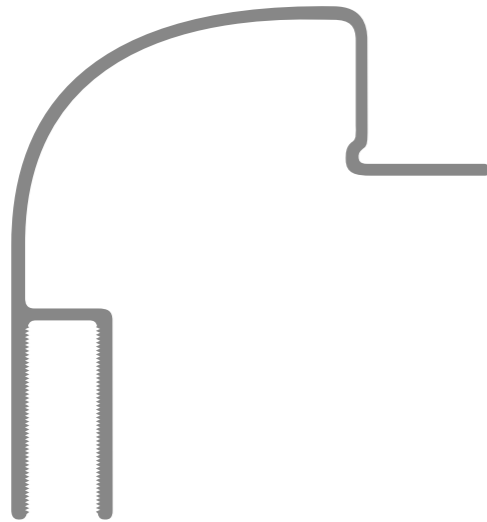
CC127R



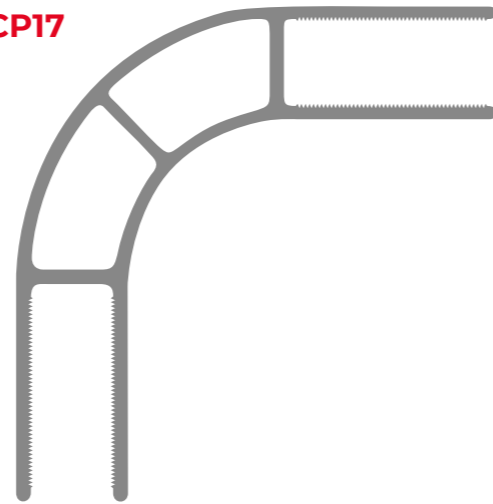
CC127S



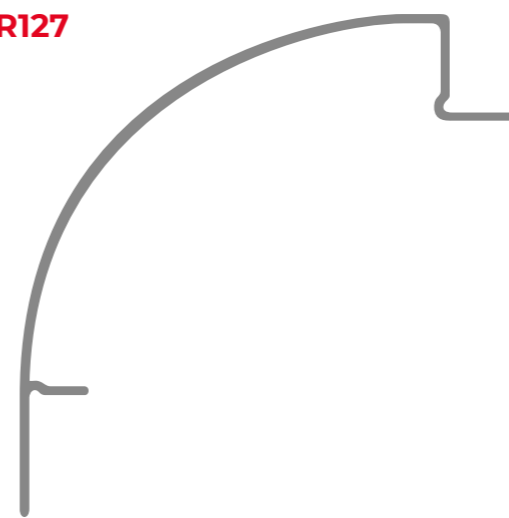
CCR17



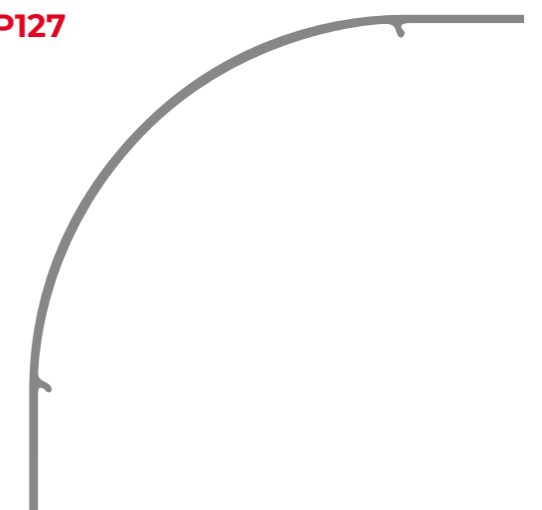
CCP17



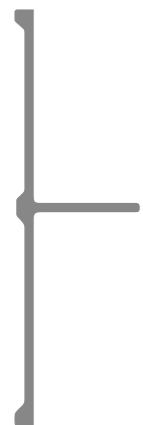
CR127



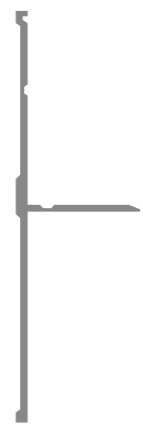
CP127



SR61



SR1P



SR2P



SR56



SR61



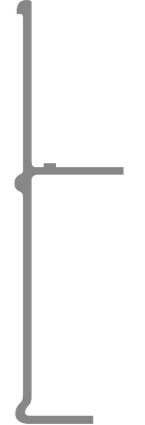
SR1P



SR2P

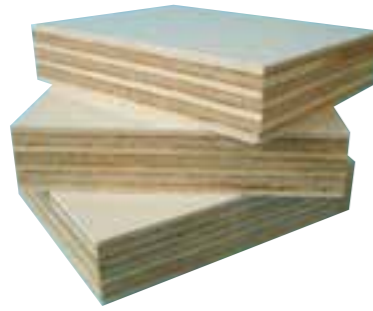


SR56



**CPR**

Plywood panels coated on both sides with glass fibre reinforced polyester resin.



**Types / Glass reinforcement:**

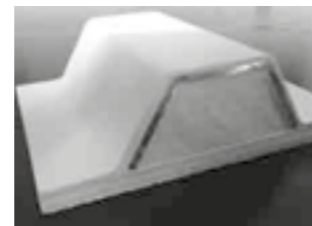
- CPR: 670 g/m<sup>2</sup>
- CPRS: 930 g/m<sup>2</sup>
- CPRFR: 750 g/m<sup>2</sup>
- CPRSR: 1700 g/m<sup>2</sup>

- Standard height:** 2440mm
- Maximum height:** 3150mm
- Standard length:** up to 13550mm
- Special sizes:** On request

CPH version of high standard panel: on request

**CPRV**

This CPR panel with trapezoid shaped stiffeners is ideal for easy location of lashing rails.



**Applications**

Van bodywork with lighter bodyweight and improved payloads, hire vehicles, furniture carriers.

Thicknesses and weights					
Thickness mm	30	32	35	38	41
Weight kg/m <sup>2</sup> CPRV6	7.8	9.0	10.8	12.6	14.4
Weight kg/m <sup>2</sup> CPRV4	11.0	12.2	14.0	15.8	17.6

Dimensions	CRPV6	CRPV4
Alu profiles every	610mm	406mm
Maximum length	13550mm	13550mm
Maximum height	2700mm	3150mm
Kickstrip maximum height	300mm	350mm

**Aalco stock of PANOLIT CPR Panels**

Thickness (mm)	Length (mm)	Width (mm)	Weight (Kg)
11	2440	2438	54
11	6096	2440	134
14	2438	2438	65
14	3048	2420	82
14	3657	2420	98
14	4343	2420	116
14	4877	2438	131
14	6096	2438	163
14	7315	2438	196
17	2438	2438	77
17	2743	2438	87
17	3048	2438	97
17	5486	2438	174
17	6096	2438	193
17	6705	2438	213
17	7315	2438	232
17	7925	2438	251
17	8534	2438	270
17	9144	2438	290

**Applications**

Van bodywork, dryfreight containers.

**ALL GPR PANELS**

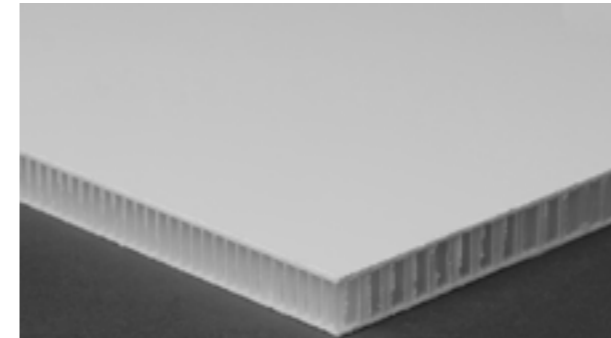
All panels fulfil the specifications of NF Standard NFT 57-950-1:2012

**Tolerances:**

- Length: 0.1% (minimum 5m)
- Width: 3mm
- Thickness: 1mm
- Diagonal difference: 6mm

**NA45L Range**

Lightweight polypropylene honeycomb core coated on both sides with glassfibre reinforced polyester resin.



**Advantages**

Strong lightweight panel. Excellent resistance to humidity in external uses.

**Types / Glass reinforcement:**

- NA45L: 930g/m<sup>2</sup>
- NAPS: 930 g/m<sup>2</sup>
- NAP6: 1230g/m<sup>2</sup>
- NAP7: 1500 g/m<sup>2</sup>

- Standard height:** 2500mm
- Standard Length:** Approximately 13550 mm
- Maximum height:** 3150mm (NA45L: Maximum height 2440mm)
- Special sizes:** On request

Thicknesses and weights					
Thickness mm	14	17	20	25	30
Weight kg/m <sup>2</sup> NA45L (lightened issue)	4.2	4.4	4.5	4.8	5.1
Weight kg/m <sup>2</sup> NAPS	5.8	6.0	6.2	6.5	6.8
Weight kg/m <sup>2</sup> NAP6	7.7	7.9	8.1	8.4	8.7
Weight kg/m <sup>2</sup> NAP7	8.3	8.5	8.7	9.0	9.3
Coefficient of insulation w/m <sup>2</sup> /K (NAPS)	5.03	4.37	3.66	2.87	2.37

**Custom-made**

We can provide specific panels according to drawings and also coloured panels. We can also protectively film the panels, make special cuts according to drawing, supply the panels with peel ply, anti-slip flooring. See NIDALIT range on page M14.

**Applications:** This lightweight panel is particularly adapted for lightweight vehicle boxes.

**Aalco stock of NAPS Panels**

Thickness (mm)	Length (mm)	Width (mm)	Weight (Kg)
14	2438	2440	25
14	6096	2440	62.5
17	2438	2420	26
17	6096	2420	65

**GRP liner panels**

These lightweight gel-coated GRP Liner Panels are used in a range of applications including refrigerated vehicles.

**Aalco stock of GRP Liner Panels**

Thickness (mm)	Length (mm)	Width (mm)	Weight (Kg)
4	6096	2440	95

**Custom-made**

The ISS and ISP panels can be produced according to your specifications.

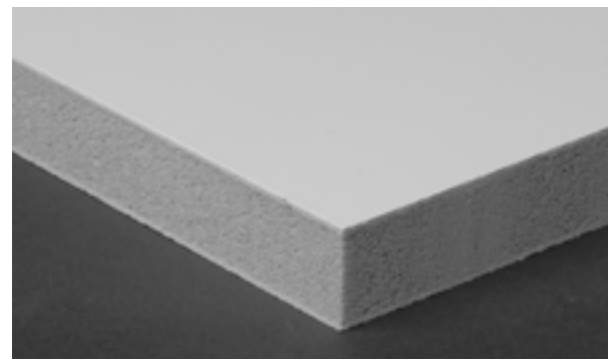


**Examples**

Floor panels with wood or metal reinforcements. Insulated bulkhead panels with wood or metal reinforcements for refrigerator fastening. Insulated roof panels with, on request, stiffeners for the fastening of equipment, or with tubes for electrical wiring.

**PER RANGE**

PET foam coated on both sides with glassfibre polyester resin.



**Advantages**

Good resistance to compression.

**Types / Glass reinforcement:**

**PER:** 925 g/m<sup>2</sup>

**Standard height:** 2440mm

**Maximum height:** 3150mm

**Standard length:** up to 13550mm

**Special sizes:** On request

**Custom-made:**

We can paint, protectively film or cut the panels according to your drawings.

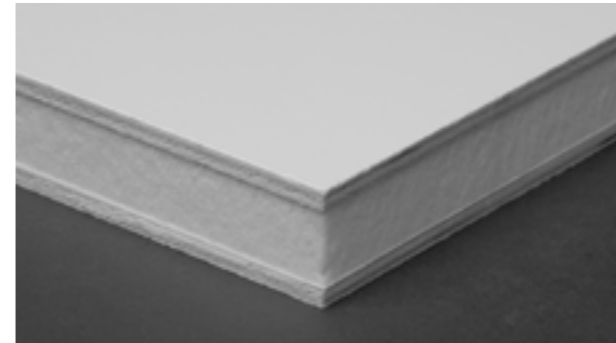
**Applications:**

Lightweight vehicles.

Thicknesses and weights					
Thickness mm	14	17	20	25	30
Weight kg/m <sup>2</sup> PER	4.6	4.8	5.1	5.5	5.9
WCoefficient of insulation w/m <sup>2</sup> /k (PER)	3.40	2.70	2.25	1.70	1.44

**ISP**

Polyurethane foam panel with 4mm plywood sheets on both sides for an optimal stiffness and a stronger shock resistance.



**Advantages**

Insulated bodyworks, isothermal and refrigerated containers.

**Types / Glass reinforcement:**

**ISP:** 950 g/m<sup>2</sup>

**ISP3:** 1100 g/m<sup>2</sup>

**ISP4:** 1530 g/m<sup>2</sup>

**ISP5:** 2130 g/m<sup>2</sup>

**Standard height:** 2500mm

**Maximum height:** 3150mm

**Standard length:** up to 13550mm

**Special sizes:** On request

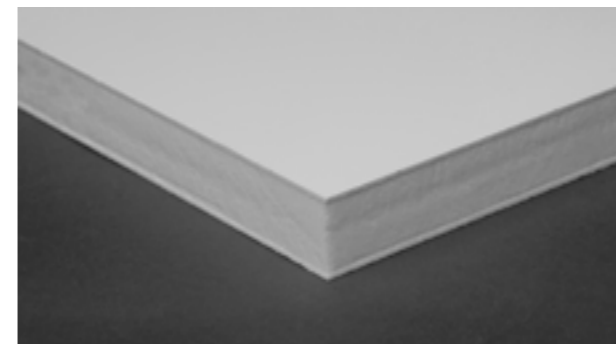
**Polyurethane-foam density:** Standard 40 kg/m<sup>3</sup>

**Other density:** On request

Thicknesses and weights							
Thickness mm	25	30	40	50	80	100	120
Weight kg/m <sup>2</sup> ISP	10.7	11.0	11.5	12.0	13.5	14.5	15.5
Weight kg/m <sup>2</sup> ISP3	11.1	11.4	11.9	12.4	13.9	14.9	15.9
Weight kg/m <sup>2</sup> ISP4	11.6	11.9	12.4	12.9	14.4	15.4	16.4
Weight kg/m <sup>2</sup> ISP5	12.4	12.7	13.2	13.7	15.2	16.2	17.2
Coefficient of insulation w/m <sup>2</sup> /k (ISP)	1.65	1.26	0.86	0.65	0.38	0.30	0.24

**ISS**

Lightweight panel with polyurethane foam core with better insulation performance.



**Advantages**

Insulated bodyworks, isothermal and refrigerated containers.

**Types / Glass reinforcement:**

**ISS:** 1530 g/m<sup>2</sup>

**ISS2:** 1830 g/m<sup>2</sup>

**ISS3:** 2130 g/m<sup>2</sup>

**ISS4:** 22730 g/m<sup>2</sup>

**Standard height:** 2500mm

**Maximum height:** 3150mm

**Standard length:** up to 13550mm

**Special sizes:** On request

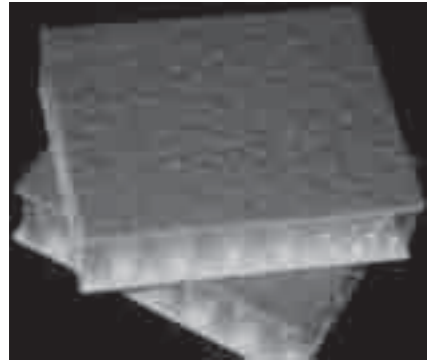
**Polyurethane-foam density:** Standard 40 kg/m<sup>3</sup>

**Other density:** On request

Thicknesses and weights							
Thickness mm	25	30	40	50	80	100	120
Weight kg/m <sup>2</sup> ISP	7.0	7.2	7.6	8.0	9.2	10.0	10.8
Weight kg/m <sup>2</sup> ISP3	7.5	7.7	8.1	8.5	9.7	10.5	11.3
Weight kg/m <sup>2</sup> ISP4	7.9	8.1	8.5	8.9	10.1	10.9	11.7
Weight kg/m <sup>2</sup> ISP5	8.7	8.9	9.3	9.7	10.9	11.7	12.5
Coefficient of insulation w/m <sup>2</sup> /k (ISP)	1.25	1.01	0.74	0.58	0.35	0.26	0.23

**NIDALIT**

Lightweight panel with a Polypropylene honeycomb core, coated on both sides with glassfibre reinforced polyester resin.



Thicknesses and weights					
Thickness mm	14	17	20	25	30
Weight kg/m2 NA45L (lightened issue)	4.2	4.4	4.5	4.8	5.1
Weight kg/m2 NAPS	5.8	6.0	6.2	6.5	6.8
Weight kg/m2 NAP6	7.7	7.9	8.1	8.4	8.7
Weight kg/m2 NAP7	8.3	8.5	8.7	9.0	9.3
Coefficient of insulation w/m2/K (NAPS)	5.03	4.37	3.66	2.87	2.37

**NIDALIT NON-SLIP**

Lightweight panel with a Polypropylene honeycomb core, coated on one side with glassfibre and the other with anti-slip resin.



Thicknesses and weights			
Thickness mm	17	25	30
Weight kg/m2 NAPS with anti-slip coating	7.5	8.0	8.3

**CURTAINSIDER BODY**

Curtainsider Body Diagram

Page 92

**Advantages**

Strong lightweight panel. Excellent resistance to humidity and external uses.

**Types / Glass reinforcement:**

NA45L: 930 g/m2      NAP6: 1230 g/m2

NAPS: 930 g/m2      NAP7: 1500 g/m2

**Standard height:** 2500mm

**Maximum height:** 3150mm

**Standard length:** up to 13550mm

**Special sizes:** On request

**Custom-made:**

Coloured Panels: Special cuts according to drawings. Peripheral and intermediate wood according to drawings. Panels protected with plastic film upon request. Panels with peel dry, anti-slip coat to realise floors.

**Applications:**

Boxes, containers of lightweight vehicles, bottoms of swimming pools.

**Advantages**

istant, light and waterproof.

**Types / Glass reinforcement:**

NAPS: 1800 g/m2

**Maximum width:** 2550mm

**Standard length:** up to 13550mm

**Special sizes:** On request

**Upon specific request:**

With peel ply instead of anti-slip coating.

**Applications:**

Floors for lightweight vehicles, construction, footbridges and balconies.

## CURTAINSIDER BODY DIAGRAM

# LIVESTOCK

### LIVESTOCK

Cattle Gate Rail

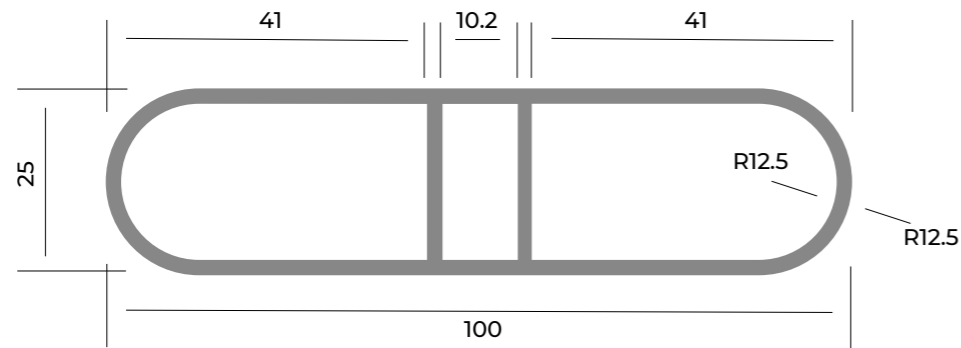
Page 94

SHB48

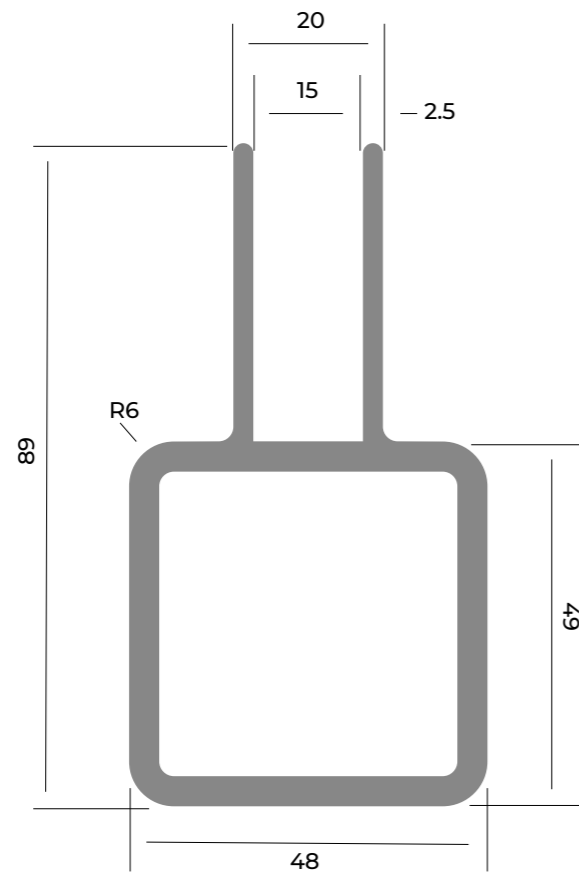
Page 94



**CATTLE GATE RAIL**  
Wt. 1.43 kg/m



**SHB48**  
Wt. 1.39 kg/m



# TIPPER BODIES

## TIPPER PLATE

Plate 5454 & 5456

Page 96

## TIPPER BODIES SECTIONS

AAL 176

Page 97

Lipped Channel

Page 97

TS17

Page 98

Ladder Rung

Page 98

TRS0133

Page 99

TS4

Page 99

TS14

Page 100

## TEE SECTIONS

Special Tee Section

Page 100

## HINGE SECTIONS

ARM0117

Page 100

5454 Shate / plate

Aalco stocks a comprehensive range of 5454 grade Aluminium plate In Tempers H22/32 , H24/34 and a selection of " O "Condition material. In addition to these , Aalco have a range of 5456-H24/34 Endural plate.



Grade "0"

Product	Length	Width	Thickness (mm)
AL SHATE 5454-O/H111	2500mm	1250mm	4.00
AL SHATE 5454-O/H111	8'	6'	4.00
AL SHATE 5454-O/H111	8'	4'	4.76
AL SHATE 5454-O/H111	8'2	6'8	4.76
AL SHATE 5454-O/H111	8'3	6'	6.00
AL SHATE 5454-O/H111	8'3	6'	8.00

H22/32

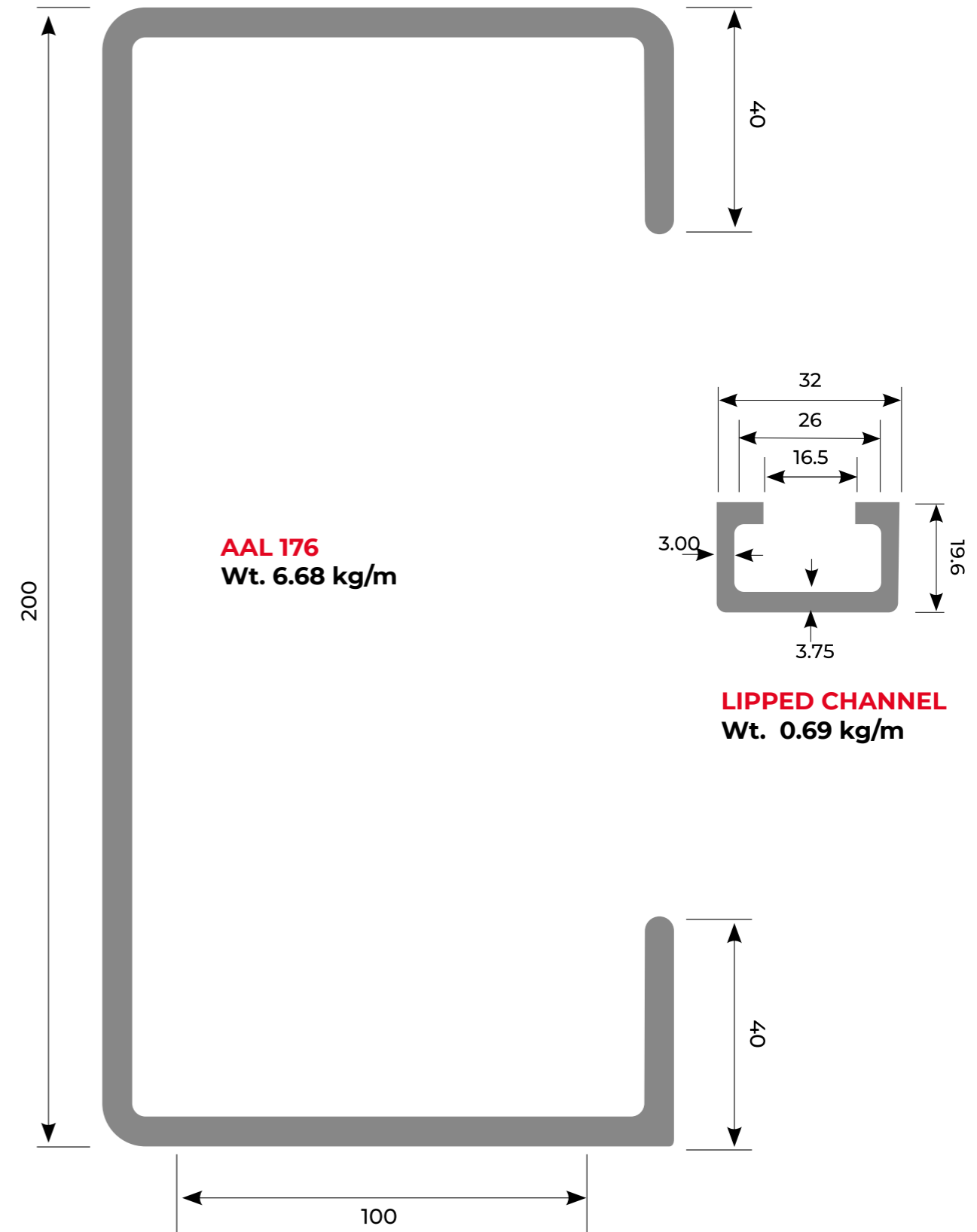
Product	Length	Width	Thickness (mm)
AL SHATE 5454-H22/32	8'2	4'	4.00
AL SHATE 5454-H22/32	8'2	5'	4.00
AL SHATE 5454-H22/32	8'3	2000mm	4.00
AL SHATE 5454-H22/32	8'7	2000mm	4.00
AL SHATE 5454-H22/32	8'7	2000mm	4.20
AL SHATE 5454-H22/32	10'	1580mm	4.20
AL SHATE 5454-H22/32	10'	2100mm	4.20
AL SHATE 5454-H22/32	8'2	4'	4.76
AL SHATE 5454-H22/32	8'2	5'	4.76
AL SHATE 5454-H22/32	8'2	5'6	4.76
AL SHATE 5454-H22/32	8'3	2000mm	4.76
AL SHATE 5454-H22/32	8'7	2000mm	4.76
AL SHATE 5454-H22/32	8'3	6'	6.00
AL SHATE 5454-H22/32	8'4	5'6	6.00
AL SHATE 5454-H22/32	8'2	5'	6.20
AL SHATE 5454-H22/32	21'	5'	6.20
AL SHATE 5454-H22/32	22'6	5'	6.20
AL SHATE 5454-H22/32	8'2	5'	8.00

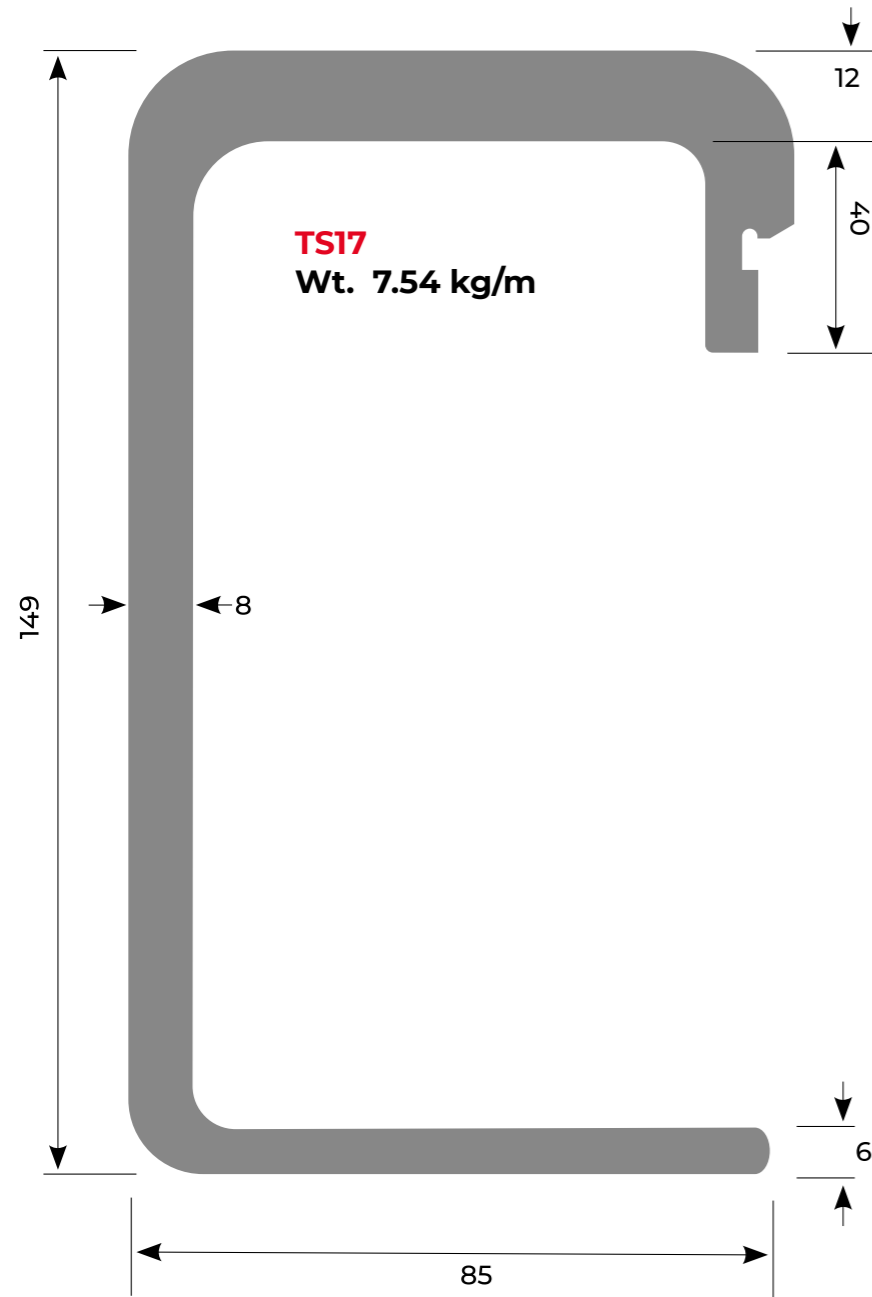
H24/34

Product	Length	Width	Thickness (mm)
AL SHATE 5454-H24/34	8'4	6'9	6.00
AL SHATE 5454-H24/34	2595mm	2308mm	6.00
AL SHATE 5454-H24/34	8'2	5'	6.20
AL SHATE 5454-H24/34	2540mm	2000mm	6.20
AL SHATE 5454-H24/34	8'2	5'	8.00
AL SHATE 5454-H24/34	8'4	6'8	8.00
AL SHATE 5454-H24/34	2595mm	2308mm	8.00
AL SHATE 5454-H24/34	6700mm	2500mm	4.76

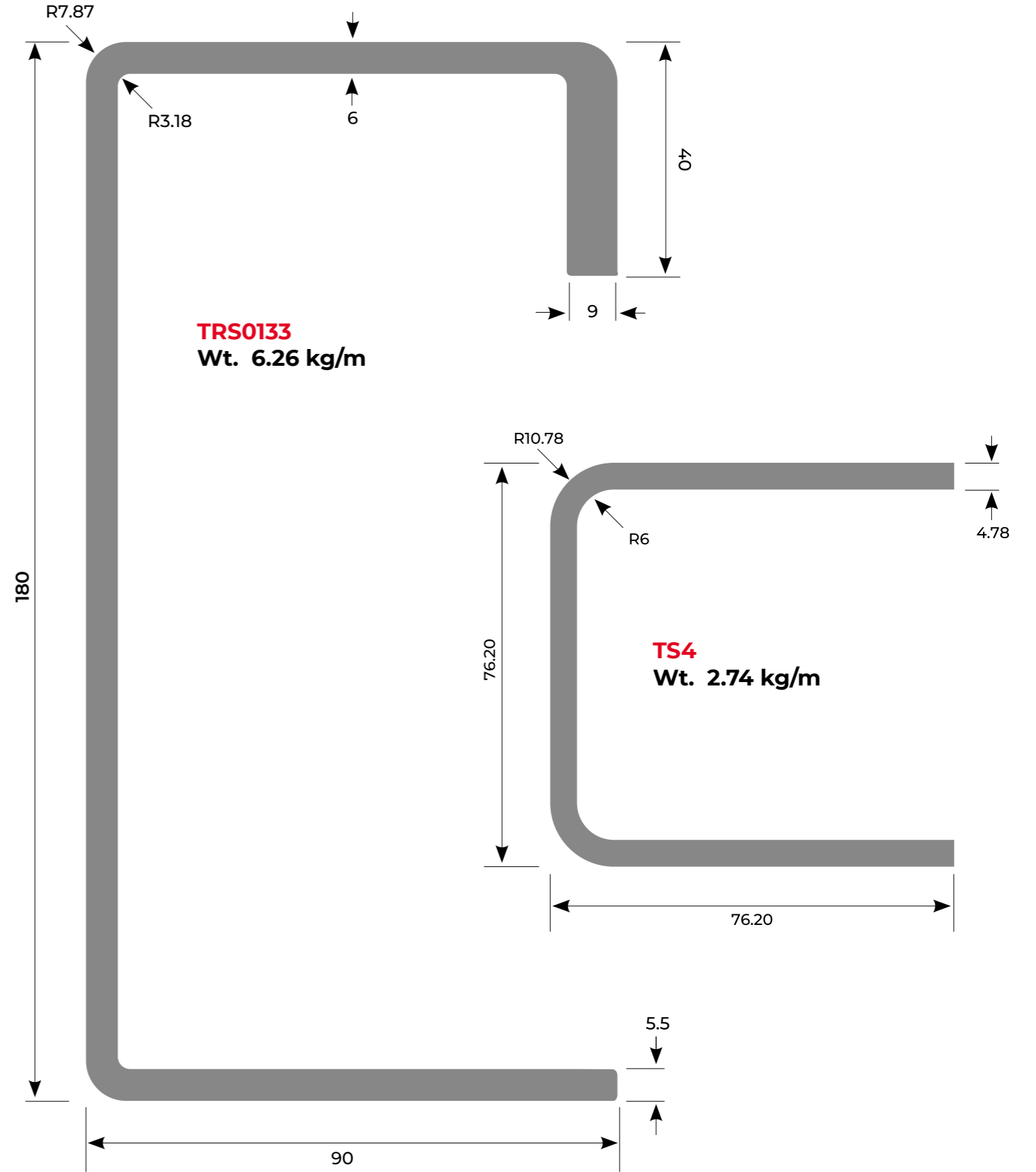
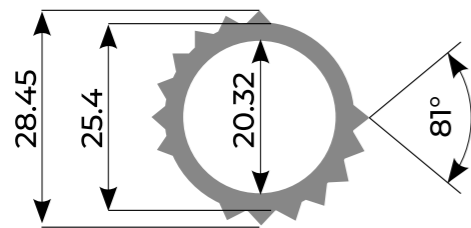
5456-H24/H34 ENDURAL

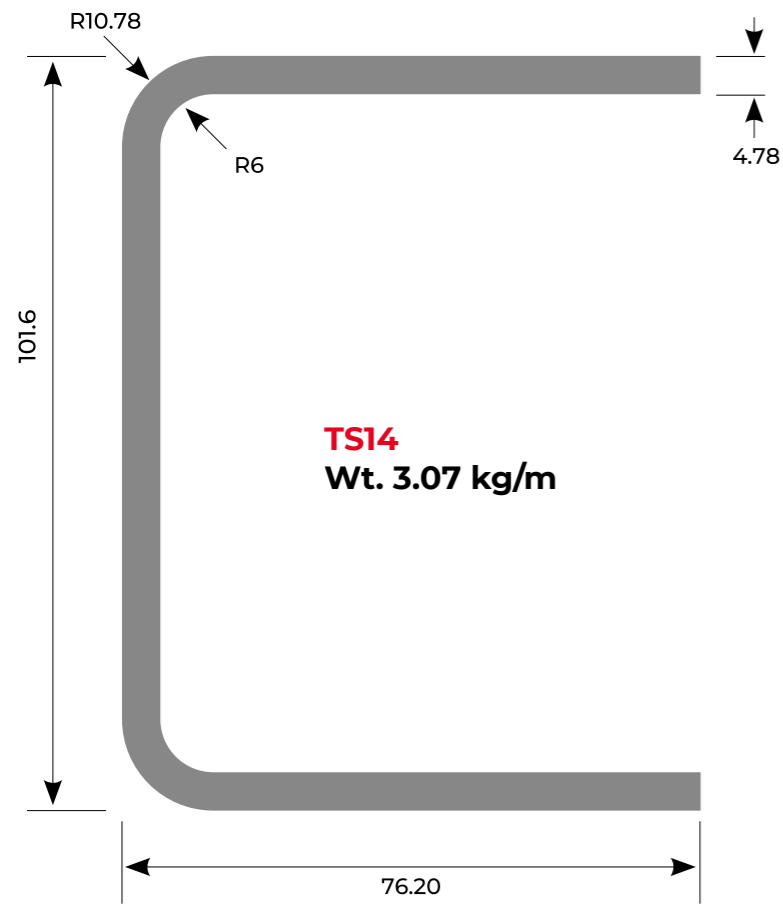
Product	Length	Width	Thickness (mm)
AL SHATE 5456-H24/34	6100mm	1750mm	6.0 ENDURAL
AL SHATE 5456-H24/34	6300mm	2164mm	6.0 ENDURAL
AL SHATE 5456-H24/34	6602mm	2164mm	6.0 ENDURAL
AL SHATE 5456-H24/34	2065mm	2010mm	8.0 ENDURAL





Ladder Rung

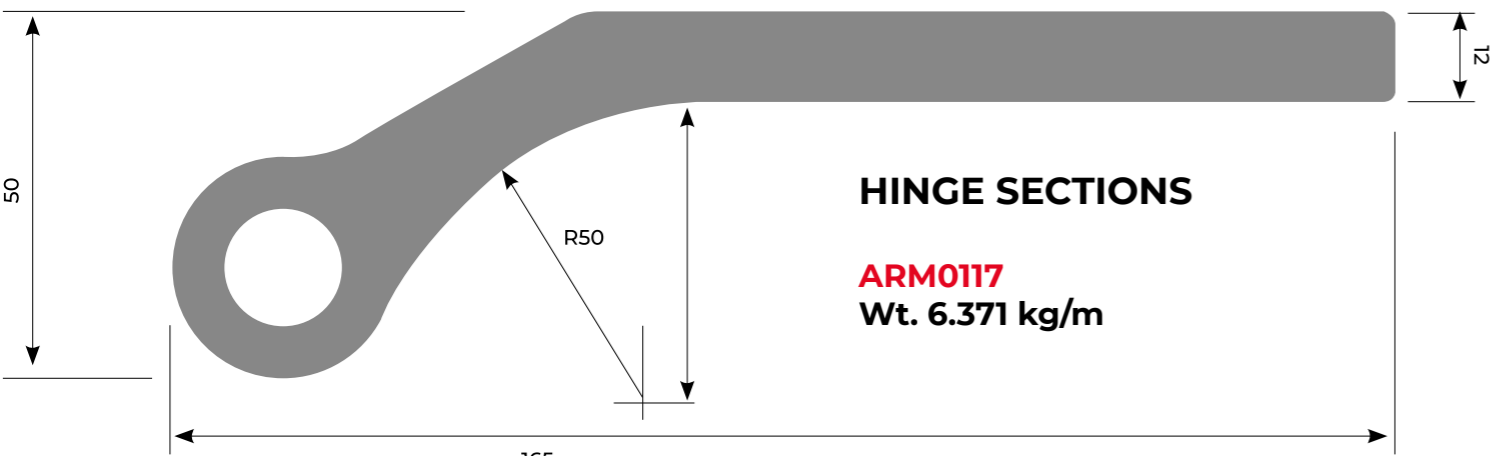
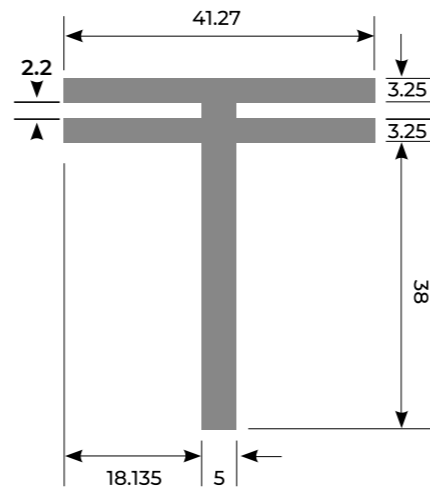




**TS14**  
Wt. 3.07 kg/m

**TEE SECTIONS**

**TME1148**  
Wt. 1.27 kg/m



**HINGE SECTIONS**

**ARM0117**  
Wt. 6.371 kg/m

# 30MM TIPPER BODY PROFILES

**30mm PROFILES**

30mm Top Rail

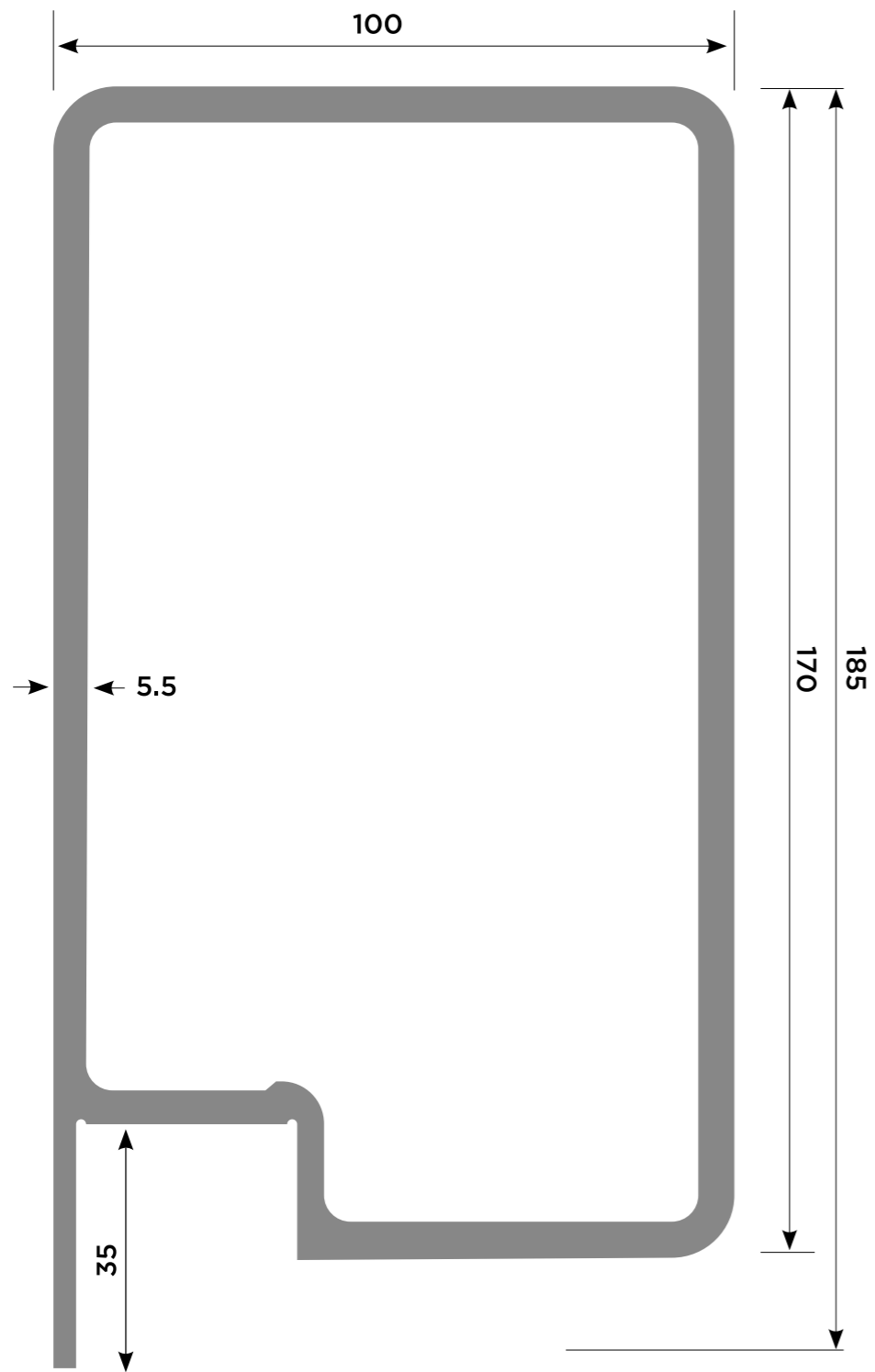
Page 102

30mm Bottom rail

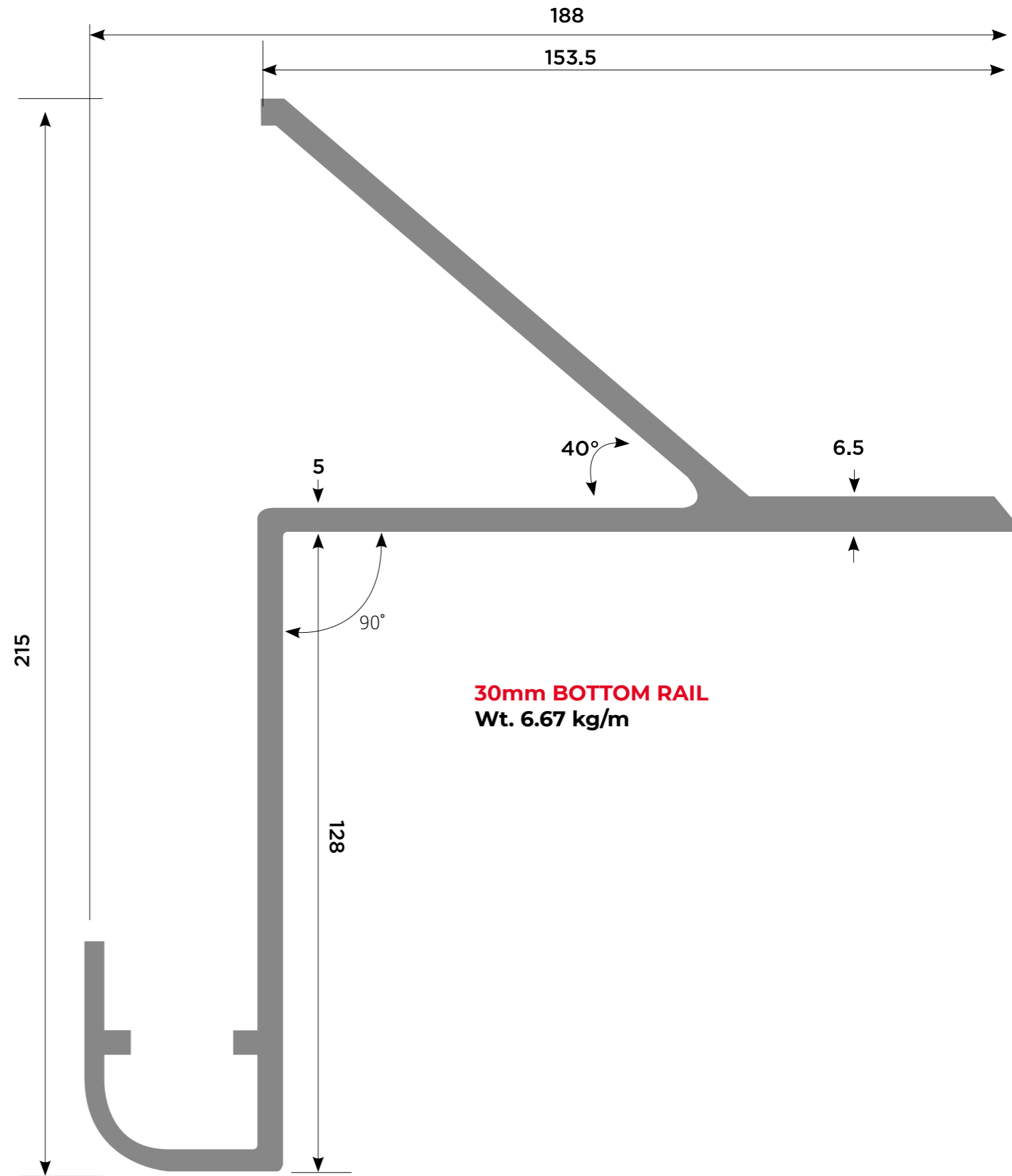
Page 103

30mm Plank

Page 104



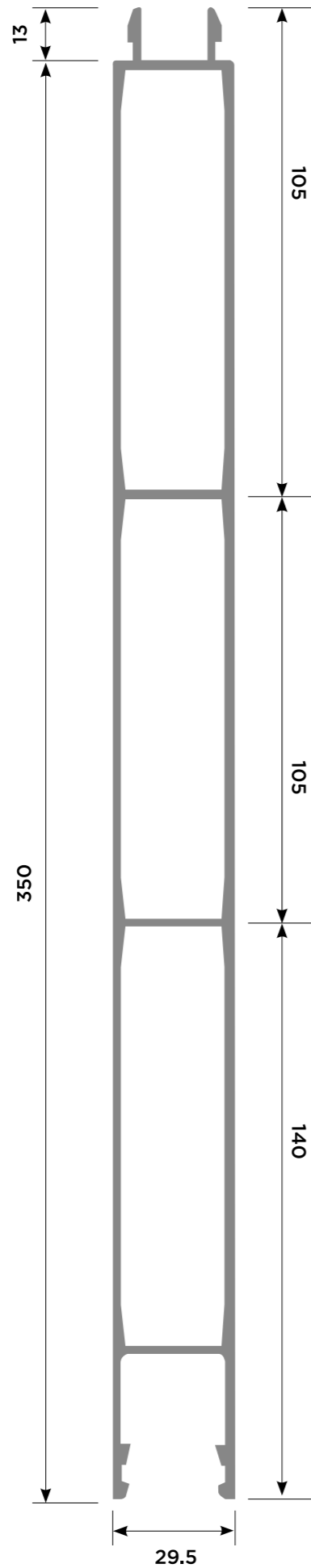
**30mm TOP RAIL**  
Wt. 7.65 kg/m



**30mm BOTTOM RAIL**  
Wt. 6.67 kg/m

## 30MM TIPPER BODY PROFILES

**30mm PLANK**  
Wt. 5.43 kg/m



NOT 1:1 SCALE

# ALUMINIUM

## ALUMINIUM STANDARD PRODUCTS

Round Bar	Page 106
Flat Bar	Page 106
Square Bar	Page 107
Box Section - Rectangular	Page 107
Box Section - Square	Page 107
Tee Section	Page 107
Round Tube	Page 107
Channel	Page 108
Equal Angle	Page 108
Unequal Angle	Page 108
RT channel	Page 109
Sheet	Page 109
Stucco Sheet	Page 109
Painted Sheet	Page 109
Plate	Page 110
Shate	Page 110
Diamond Brite	Page 110
Treadplate	Page 110

## Round Bar



Aluminium Round Bar Alloy 6082 T6

Size	KG/Metre
1/4" DIA (6.35mm)	0.09
3/8" DIA (9.525mm)	0.13
1/2" DIA (12.7mm)	0.19
5/8" DIA (15.875mm)	0.34
3/4" DIA (19.05mm)	0.53
7/8" DIA (22.225mm)	0.77
1" DIA (25.4mm)	1.05
1 1/8" DIA (28.58mm)	1.37
1 1/4" DIA (31.75mm)	1.73
1 3/8" DIA (34.93mm)	2.14
1 1/2" DIA (38.1mm)	2.59
1 3/4" DIA (41.28mm)	3.08
1 7/8" DIA (44.45mm)	3.61
2" DIA (50.8mm)	4.19
2 1/8" DIA (53.975mm)	4.81
2 1/4" DIA (57.15mm)	5.47
2 3/8" DIA (60.33mm)	6.18
2 1/2" DIA (63.5mm)	6.93
2 7/8" DIA (66.67mm)	7.72
3" DIA (76.2mm)	8.55
3 1/4" DIA (82.55mm)	9.43
3 1/2" DIA (88.9mm)	10.35
3 3/4" DIA (95.25mm)	12.31
4" DIA (101.6mm)	14.45
4 1/4" DIA (107.95mm)	16.76
4 1/2" DIA (114.3mm)	19.24
4 3/4" DIA (120.65mm)	21.89
5" DIA (127.0mm)	24.71
5 1/4" DIA (133.35mm)	27.70
5 1/2" DIA (139.7mm)	30.87
5 3/4" DIA (146.05mm)	34.20
6" DIA (152.4mm)	37.71
6 1/2" DIA (165.1mm)	41.39
7" DIA (177.8mm)	45.23
7 1/2" DIA (184.15mm)	49.25
8" DIA (203.2mm)	57.80
8 1/2" DIA (215.9mm)	67.04
9" DIA (228.6mm)	71.91
9 1/2" DIA (241.3mm)	76.96
10" DIA (254.0mm)	87.56
10 1/2" DIA (268.0mm)	98.85
11" DIA (279.4mm)	110.82
11 1/2" DIA (293.8mm)	123.47
12" DIA (304.8mm)	136.81
12 1/2" DIA (320.0mm)	150.01
13" DIA (330.2mm)	164.15
14" DIA (355.6mm)	179.01
15" DIA (381.0mm)	231.21
16" DIA (406.4mm)	268.15
18" DIA (457.0mm)	307.83
20" DIA (508.0mm)	350.24

## Flat Bar



Aluminium Flat Bar Alloy 6082 T6

Size	KG/Metre
3/8" X 1/4"	0.16
1/2" X 1/4"	0.22
5/8" X 1/4"	0.33
3/4" X 1/4"	0.41
7/8" X 1/4"	0.54
1" X 1/4"	0.72
1 1/8" X 1/4"	0.91
1 1/4" X 1/4"	1.16
1 3/8" X 1/4"	1.47
1 1/2" X 1/4"	1.84
1 3/4" X 1/4"	2.27
2" X 1/4"	2.76
2 1/8" X 1/4"	3.31
2 1/4" X 1/4"	3.92
2 3/8" X 1/4"	4.59
2 1/2" X 1/4"	5.32
2 7/8" X 1/4"	6.11
3" X 1/4"	6.96
3 1/4" X 1/4"	7.87
3 1/2" X 1/4"	8.84
3 3/4" X 1/4"	9.87
4" X 1/4"	10.96
4 1/4" X 1/4"	12.11
4 1/2" X 1/4"	13.32
4 3/4" X 1/4"	14.59
5" X 1/4"	15.92
5 1/4" X 1/4"	17.31
5 1/2" X 1/4"	18.76
5 3/4" X 1/4"	20.27
6" X 1/4"	21.84
6 1/4" X 1/4"	23.47
6 1/2" X 1/4"	25.16
6 3/4" X 1/4"	26.91
7" X 1/4"	28.72
7 1/4" X 1/4"	30.59
7 1/2" X 1/4"	32.52
7 3/4" X 1/4"	34.51
8" X 1/4"	36.56
8 1/4" X 1/4"	38.67
8 1/2" X 1/4"	40.84
8 3/4" X 1/4"	43.07
9" X 1/4"	45.36
9 1/4" X 1/4"	47.71
9 1/2" X 1/4"	50.12
9 3/4" X 1/4"	52.59
10" X 1/4"	55.12
10 1/4" X 1/4"	57.71
10 1/2" X 1/4"	60.36
10 3/4" X 1/4"	63.07
11" X 1/4"	65.84
11 1/4" X 1/4"	68.67
11 1/2" X 1/4"	71.56
11 3/4" X 1/4"	74.51
12" X 1/4"	77.52
12 1/4" X 1/4"	80.59
12 1/2" X 1/4"	83.72
12 3/4" X 1/4"	86.91
13" X 1/4"	90.16
13 1/4" X 1/4"	93.47
13 1/2" X 1/4"	96.84
13 3/4" X 1/4"	100.27
14" X 1/4"	103.76
14 1/4" X 1/4"	107.31
14 1/2" X 1/4"	110.92
14 3/4" X 1/4"	114.59
15" X 1/4"	118.32
15 1/4" X 1/4"	122.11
15 1/2" X 1/4"	125.96
15 3/4" X 1/4"	129.87
16" X 1/4"	133.84
16 1/4" X 1/4"	137.87
16 1/2" X 1/4"	141.96
16 3/4" X 1/4"	146.11
17" X 1/4"	150.32
17 1/4" X 1/4"	154.59
17 1/2" X 1/4"	158.92
17 3/4" X 1/4"	163.31
18" X 1/4"	167.76
18 1/4" X 1/4"	172.27
18 1/2" X 1/4"	176.84
18 3/4" X 1/4"	181.47
19" X 1/4"	186.16
19 1/4" X 1/4"	190.91
19 1/2" X 1/4"	195.72
19 3/4" X 1/4"	200.59
20" X 1/4"	205.52
20 1/4" X 1/4"	210.51
20 1/2" X 1/4"	215.56
20 3/4" X 1/4"	220.67
21" X 1/4"	225.84
21 1/4" X 1/4"	231.07
21 1/2" X 1/4"	236.36
21 3/4" X 1/4"	241.71
22" X 1/4"	247.12
22 1/4" X 1/4"	252.59
22 1/2" X 1/4"	258.12
22 3/4" X 1/4"	263.71
23" X 1/4"	269.36
23 1/4" X 1/4"	275.07
23 1/2" X 1/4"	280.84
23 3/4" X 1/4"	286.67
24" X 1/4"	292.56
24 1/4" X 1/4"	298.51
24 1/2" X 1/4"	304.52
24 3/4" X 1/4"	310.59
25" X 1/4"	316.72
25 1/4" X 1/4"	322.91
25 1/2" X 1/4"	329.16
25 3/4" X 1/4"	335.47
26" X 1/4"	341.84
26 1/4" X 1/4"	348.27
26 1/2" X 1/4"	354.76
26 3/4" X 1/4"	361.31
27" X 1/4"	367.92
27 1/4" X 1/4"	374.59
27 1/2" X 1/4"	381.32
27 3/4" X 1/4"	388.11
28" X 1/4"	394.96
28 1/4" X 1/4"	401.87
28 1/2" X 1/4"	408.94
28 3/4" X 1/4"	416.07
29" X 1/4"	423.26
29 1/4" X 1/4"	430.51
29 1/2" X 1/4"	437.82
29 3/4" X 1/4"	445.19
30" X 1/4"	452.62
30 1/4" X 1/4"	460.11
30 1/2" X 1/4"	467.66
30 3/4" X 1/4"	475.27
31" X 1/4"	482.94
31 1/4" X 1/4"	490.67
31 1/2" X 1/4"	498.46
31 3/4" X 1/4"	506.31
32" X 1/4"	514.22
32 1/4" X 1/4"	522.19
32 1/2" X 1/4"	530.22
32 3/4" X 1/4"	538.31
33" X 1/4"	546.46
33 1/4" X 1/4"	554.67
33 1/2" X 1/4"	563.04
33 3/4" X 1/4"	571.47
34" X 1/4"	579.96
34 1/4" X 1/4"	588.51
34 1/2" X 1/4"	597.12
34 3/4" X 1/4"	605.79
35" X 1/4"	614.52
35 1/4" X 1/4"	623.31
35 1/2" X 1/4"	632.16
35 3/4" X 1/4"	641.07
36" X 1/4"	650.04
36 1/4" X 1/4"	659.07
36 1/2" X 1/4"	668.16
36 3/4" X 1/4"	677.31
37" X 1/4"	686.52
37 1/4" X 1/4"	695.79
37 1/2" X 1/4"	705.12
37 3/4" X 1/4"	714.51
38" X 1/4"	723.96
38 1/4" X 1/4"	733.47
38 1/2" X 1/4"	743.04
38 3/4" X 1/4"	752.67
39" X 1/4"	762.36
39 1/4" X 1/4"	772.11
39 1/2" X 1/4"	781.92
39 3/4" X 1/4"	791.79
40" X 1/4"	801.72
40 1/4" X 1/4"	811.71
40 1/2" X 1/4"	821.76
40 3/4" X 1/4"	831.87
41" X 1/4"	842.04
41 1/4" X 1/4"	852.27
41 1/2" X 1/4"	862.56
41 3/4" X 1/4"	872.91
42" X 1/4"	883.32
42 1/4" X 1/4"	893.79
42 1/2" X 1/4"	904.32
42 3/4" X 1/4"	914.91
43" X 1/4"	925.56
43 1/4" X 1/4"	936.27
43 1/2" X 1/4"	947.04
43 3/4" X 1/4"	957.87
44" X 1/4"	968.76
44 1/4" X 1/4"	979.71
44 1/2" X 1/4"	990.72
44 3/4" X 1/4"	1001.79
45" X 1/4"	1012.92
45 1/4" X 1/4"	1024.11
45 1/2" X 1/4"	1035.36
45 3/4" X 1/4"	1046.67
46" X 1/4"	1058.04
46 1/4" X 1/4"	1069.47
46 1/2" X 1/4"	1080.96
46 3/4" X 1/4"	1092.51
47" X 1/4"	1104.12
47 1/4" X 1/4"	1115.79
47 1/2" X 1/4"	1127.52
47 3/4" X 1/4"	1139.31
48" X 1/4"	1151.16
48 1/4" X 1/4"	1163.07
48 1/2" X 1/4"	1174.94
48 3/4" X 1/4"	1186.87
49" X 1/4"	1198.86
49 1/4" X 1/4"	1210.91
49 1/2" X 1/4"	1223.02
49 3/4" X 1/4"	1235.19
50" X 1/4"	1247.42
50 1/4" X 1/4"	1259.71
50 1/2" X 1/4"	1272.06
50 3/4" X 1/4"	1284.47
51" X 1/4"	1296.94
51 1/4" X 1/4"	1309.47
51 1/2" X 1/4"	1324.56
51 3/4" X 1/4"	1339.71
52" X 1/4"	1354.92
52 1/4" X 1/4"	1370.19
52 1/2" X 1/4"	1385.72
52 3/4" X 1/4"	1401.31
53" X 1/4"	1416.96
53 1/4" X 1/4"	1432.67
53 1/2" X 1/4"	1449.04
53 3/4" X 1/4"	1465.47
54" X 1/4"	1481.96
54 1/4" X 1/4"	1498.51
54 1/2" X 1/4"	1515.12
54 3/4" X 1/4"	1531.79
55" X 1/4"	1548.52
55 1/4" X 1/4"	1565.31
55 1/2" X 1/4"	1581.96
55 3/4" X 1/4"	1598.67
56" X 1/4"	1615.44
56 1/4" X 1/4"	1632.27
56 1/2" X 1/4"	1649.06
56 3/4" X 1/4"	1665.91
57" X 1/4"	1682.82
57 1/4" X 1/4"	1700.79
57 1/2" X 1/4"	1718.82
57 3/4" X 1/4"	1736.91
58" X 1/4"	1755.06
58 1/4" X 1/4"	1773.27
58 1/2" X 1/4"	1791.64
58 3/4" X 1/4"	1810.07
59" X 1/4"	1828.56
59 1/4" X 1/4"	1847.11
59 1/2" X 1/4"	1864.82
59 3/4" X 1/4"	1882.59
60" X 1/4"	1900.42
60 1/4" X 1/4"	1918.31
60 1/2" X 1/4"	1936.36
60 3/4" X 1/4"	1954.47
61" X 1/4"	1972.64
61 1/4" X 1/4"	1990.87
61 1/2" X 1/4"	2009.46
61 3/4" X 1/4"	2028.11
62" X 1/4"	2046.92
62 1/4" X 1/4"	2065.89
62 1/2" X 1/4"	2085.02
62 3/4" X 1/4"	2104.31
63" X 1/4"	2123.76
63 1/4" X 1/4"	2143.37
63 1/2" X 1/4"	2163.14
63 3/4" X 1/4"	2183.07
64" X 1/4"	2203.16
64 1/4" X 1/4"	2223.41
64 1/2" X 1/4"	2243.82
64 3/4" X 1/4"	2264.39
65" X 1/4"	2285.12
65 1/4" X 1/4"	2305.01
65 1/2" X 1/4"	2325.86
65 3/4" X 1/4"	2346.87
66" X 1/4"	2368.04
66 1/4" X 1/4"	2389.37
66 1/2" X 1/4"	2412.96
66 3/4" X 1/4"	2436.71
67" X 1/4"	2460.62
67 1/4" X 1/4"	2484.69
67 1/2" X 1/4"	2508.92
67 3/4" X 1/4"	2533.31
68" X 1/4"	2557.86
68 1/4" X 1/4"	2582.57
68 1/2" X 1/4"	2607.44
68 3/4" X 1/4"	2632.47
69" X 1/4"	2657.66
69 1/4" X 1/4"	2683.01
69 1/2" X 1/4"	2708.52
69 3/4" X 1/4"	2734.19
70" X 1/4"	2760.02
70 1/4" X 1/4"	2786.01
70 1/2" X 1/4"	2812.06
70 3/4" X 1/4"	2838.27
71" X 1/4"	2864.64
71 1/4" X 1/4"	2891.17
71 1/2" X 1/4"	2917.86
71 3/4" X 1/4"	2944.71
72" X 1/4"	2971.72
72 1/4" X 1/4"	2998.89
72 1/2" X 1/4"	3026.22
72 3/4" X 1/4"	3053.71
73" X 1/4"	3081.36
73 1/4" X 1/4"	3109.17
73 1/2" X 1/4"	3135.84
73 3/4" X 1/4"	3162.67
74" X 1/4"	3189.66
74 1/4" X 1/4"	3216.81
74 1/2" X 1/4"	3242.12
74 3/4" X 1/4"	3267.59
75" X 1/4"	3293.22
75 1/4" X 1/4"	3318.91
75 1/2" X 1/4"	3345.76
75 3/4" X 1/4"	3372.77
76" X 1/4"	3400.04
76 1/4" X 1/4"	3427.47
76 1/2" X 1/4"	3453.36
76 3/4" X 1/4"	3479.41
77" X 1/4"	3505.62
77 1/4" X 1/4"	3531.99
77 1/2" X 1/4"	3554.72
77 3/4" X 1/4"	3577.61
78" X 1/4"	3600.66
78 1/4" X 1/4"	3623.87
78 1/2" X 1/4"	3650.34
78 3/4" X 1/4"	3676.97
79" X 1/4"	3703.76
79 1/4" X 1/4"	

## Channel



Aluminium Channel Alloy 6063/6063A T6

Size	KG/Metre
3/8" X 3/8" X 3/8" X 3/8"	0.11
1/2" X 1/2" X 1/2" X 1/2"	0.15
1/2" X 1/2" X 1/2" X 1/2"	0.27
3/4" X 3/4" X 3/4" X 3/4"	0.19
3/4" X 3/4" X 3/4" X 3/4"	0.35
3/4" X 3/4" X 3/4" X 3/4"	0.23
3/4" X 3/4" X 3/4" X 3/4"	0.44
7/8" X 7/8" X 7/8" X 7/8"	0.52
1" X 1/2" X 1/2" X 1/2"	0.38
1" X 3/4" X 1/2" X 1/2"	0.49
1" X 1" X 1/2" X 1/2"	0.31
1" X 1" X 3/4" X 1/2"	0.60
1 1/4" X 3/4" X 1/2" X 1/2"	0.55
1 1/4" X 1" X 1/2" X 1/2"	0.65
1 1/4" X 1 1/4" X 1/2" X 1/2"	0.76
1 1/2" X 3/4" X 1/2" X 1/2"	0.60
1 1/2" X 1 1/2" X 1/2" X 1/2"	0.93
1 3/4" X 1" X 1/2" X 1/2"	0.76
2" X 1/2" X 1/2" X 1/2"	0.60
2" X 3/4" X 1/2" X 1/2"	0.71
2" X 1" X 1/2" X 1/2"	0.82
2" X 1" X 3/4" X 1/2"	1.18
2" X 1 1/2" X 1/2" X 1/2"	1.04
2" X 2" X 1/2" X 1/2"	1.25
2 1/2" X 1" X 1/2" X 1/2"	0.93
4" X 2" X 1/2" X 1/2"	1.69

Aluminium Channel Alloy 6082 T6

Size	KG/Metre
1 1/4" X 1 1/4" X 1/2" X 1/2"	0.76
1 1/2" X 1 1/2" X 1/2" X 1/2"	0.49
1 1/2" X 1" X 1/2" X 1/2"	0.71
1 1/2" X 1 1/2" X 1/2" X 1/2"	0.93
1 1/2" X 1 1/2" X 3/4" X 3/4"	1.35
1 1/2" X 1 1/2" X 1/2" X 1/4"	1.74
2" X 1" X 1/2" X 1/2"	0.82
2" X 1" X 1/4" X 1/4"	1.52
2" X 1 1/2" X 1/4" X 1/4"	1.96
2" X 2" X 3/4" X 3/4"	1.84
2" X 2" X 1/4" X 1/4"	2.40
2 3/4" X 1 1/4" X 3/4" X 3/4"	1.43
2 1/2" X 1 1/4" X 3/4" X 3/4"	1.51
3" X 1" X 1/2" X 1/2"	1.04
3" X 1 1/2" X 1/2" X 1/2"	1.25
3" X 1 1/2" X 3/4" X 3/4"	1.84
3" X 1 1/2" X 1/4" X 3/4"	2.67
3" X 2" X 1/2" X 1/2"	1.47
3" X 2" X 3/4" X 3/4"	2.16
3" X 2" X 1/4" X 1/4"	2.83
3 1/2" X 1 1/2" X 1/4" X 3/4"	2.95
4" X 2" X 1/2" X 3/4"	3.65
5" X 2" X 1/4" X 3/4"	4.08
6" X 2" X 1/2" X 3/4"	4.52
6" X 3" X 1/2" X 3/4"	6.21
6" X 3" X 3/4" X 1/2"	8.49
8" X 3" X 3/4" X 1/2"	9.80
10" X 3" X 3/4" X 1/2"	11.10

## Equal Angle



Aluminium Equal Angle Alloy 6082 T6

Size	KG/Metre
1/2" X 1/2" X 1/2"	0.19
3/4" X 3/4" X 3/4"	0.30
1" X 1" X 1"	0.41
1" X 1" X 3/4"	0.59
1" X 1" X 1/2"	0.76
1 1/4" X 1 1/4" X 3/4"	0.52
1 1/4" X 1 1/4" X 3/4"	0.75
1 1/4" X 1 1/4" X 1/2"	0.98
1 1/2" X 1 1/2" X 1/2"	0.63
1 1/2" X 1 1/2" X 3/4"	0.92
1 1/2" X 1 1/2" X 1/4"	1.20
1 3/4" X 1 3/4" X 3/4"	1.08
1 3/4" X 1 3/4" X 1/2"	1.42
2" X 2" X 1 1/2"	0.85
2" X 2" X 3/4"	1.24
2" X 2" X 1/4"	1.63
2" X 2" X 3/8"	2.37
2 1/2" X 2 1/2" X 3/4"	1.57
2 1/2" X 2 1/2" X 1/2"	2.07
3" X 3" X 1 1/2"	1.28
3" X 3" X 3/4"	1.90
3" X 3" X 1/2"	2.50
3" X 3" X 3/8"	3.68
4" X 4" X 1 1/2"	3.37
4" X 4" X 3/4"	4.98
6" X 6" X 3/4"	10.02

Aluminium Equal Angle Alloy 6063A T6

Size	KG/Metre
1/2" X 1/2" X 3/4"	0.10
3/4" X 3/4" X 3/4"	0.13
3/4" X 3/4" X 1/2"	0.25
3/4" X 3/4" X 1/4"	0.16
3/4" X 3/4" X 3/8"	0.30
7/8" X 7/8" X 1/2"	0.35
25mm X 25mm X 3mm	0.38
1" X 1" X 3/4"	0.21
1" X 1" X 1/2"	0.41
1 1/4" X 1 1/4" X 3/4"	0.27
1 1/4" X 1 1/4" X 1/2"	0.52
1 1/2" X 1 1/2" X 3/4"	0.32
1 1/2" X 1 1/2" X 1/2"	0.63
1 3/4" X 1 3/4" X 3/4"	0.74
50mm X 50mm X 3mm	0.79
2" X 2" X 3/4"	0.43
2" X 2" X 1/2"	0.85
2" X 2" X 1/4"	1.24
2 1/2" X 2 1/2" X 1/2"	1.06

## Unequal Angle



Aluminium UN-Equal Angle Alloy 6063A T6

Size	KG/Metre
3/4" X 1/2" X 1/2"	0.13
3/4" X 1/2" X 3/4"	0.25
1" X 1/2" X 1/2"	0.16
1" X 1/2" X 3/4"	0.30
1" X 3/4" X 1/2"	0.33
1" X 3/4" X 3/4"	0.18
1" X 3/4" X 1/2"	0.35
1 1/4" X 1/2" X 1/2"	0.35
1 1/4" X 3/4" X 1/2"	0.41
1 1/4" X 1" X 1/2"	0.46
1 1/2" X 3/4" X 1/2"	0.46
1 1/2" X 1" X 1/2"	0.52
1 3/4" X 1" X 1/2"	0.57
2" X 1 1/2" X 1/2"	0.52
2" X 3/4" X 1/2"	0.57
50mm X 25mm X 3.0mm	0.58
2" X 1" X 1/2"	0.63
2" X 1 1/2" X 1/2"	0.74
2 1/2" X 1" X 1/2"	0.74
3" X 2" X 1/2"	1.06
4" X 1" X 1/2"	1.06
4" X 2" X 1/2"	1.28

Aluminium UN-Equal Angle Alloy 6082 T6

Size	KG/Metre
1 1/2" X 1" X 1/2"	0.52
2" X 1" X 1/2"	0.63
2" X 1" X 3/4"	0.92
2" X 1" X 1/4"	1.20
2" X 1 1/2" X 1/2"	0.74
2" X 1 1/2" X 3/4"	1.08
2" X 1 1/2" X 1/4"	1.41
2 1/2" X 1 1/2" X 3/4"	1.24
2 1/2" X 1 1/2" X 1/4"	1.63
3" X 1" X 1/2"	0.85
3" X 1" X 1/4"	1.64
3" X 1 1/2" X 1/2"	0.95
3" X 1 1/2" X 3/4"	1.41
3" X 1 1/2" X 1/4"	1.85
3" X 2" X 1/2"	1.06
3" X 2" X 3/4"	1.57
3" X 2" X 1/4"	2.07
4" X 2" X 1/2"	2.50
4" X 3" X 1/2"	2.94
6" X 3" X 3/4"	5.64

## RT-Channel



Aluminium Channel Alloy 6082 T6

Size	KG/Metre
1 1/4" X 1 1/4" X 1/2" X 1/2"	0.76
1 1/2" X 1 1/2" X 1/2" X 1/2"	0.49
1 1/2" X 1" X 1/2" X 1/2"	0.71
1 1/2" X 1 1/2" X 1/2" X 1/2"	0.93
1 1/2" X 1 1/2" X 3/4" X 3/4"	1.35
1 1/2" X 1 1/2" X 1/4" X 1/4"	1.74
2" X 1" X 1/2" X 1/2"	0.82
2" X 1" X 1/4" X 1/4"	1.52
2" X 1 1/2" X 1/4" X 1/4"	1.96
2" X 2" X 3/4" X 3/4"	1.84
2" X 2" X 1/4" X 1/4"	2.40
2 1/4" X 1 1/4" X 3/4" X 3/4"	1.43
2 1/2" X 1 1/4" X 3/4" X 3/4"	1.51
3" X 1" X 1/2" X 1/2"	1.04
3" X 1 1/2" X 1/2" X 1/2"	1.25
3" X 1 1/2" X 3/4" X 3/4"	1.84
3" X 1 1/2" X 1/4" X 3/4"	2.67
3" X 2" X 1/2" X 1/2"	1.47
3" X 2" X 3/4" X 3/4"	2.16
3" X 2" X 1/4" X 1/4"	2.83
3 1/2" X 1 1/2" X 1/2" X 3/4"	2.95
4" X 2" X 1/4" X 3/4"	3.65
5" X 2" X 1/4" X 3/4"	4.08
6" X 2" X 1/4" X 3/4"	4.52
6" X 3" X 1/4" X 3/4"	6.21
6" X 3" X 1/2" X 1/2"	8.49
8" X 3" X 3/4" X 1/2"	9.80
10" X 3" X 3/4" X 1/2"	11.10

## Stucco Sheet



Aluminium Stucco Sheet Alloy 1050A H14

Size	KG/Sheet
2000mm X 1000mm X 0.5mm	2.74
2500mm X 1250mm X 0.5mm	4.28
2000mm X 1000mm X 0.6mm	3.29
2500mm X 1250mm X 0.6mm	5.13
2000mm X 1000mm X 0.7mm	3.83
2500mm X 1250mm X 0.7mm	5.99
2000mm X 1000mm X 0.8mm	4.38
2500mm X 1250mm X 0.8mm	6.84
3000mm X 1250mm X 0.9mm	9.24
3000mm X 1500mm X 0.9mm	11.1
2500mm X 1250mm X 1.0mm	8.55
2500mm X 1250mm X 1.2mm	10.3
3000mm X 1250mm X 1.2mm	12.3
3000mm X 1500mm X 1.2mm	14.8

## Sheet



Aluminium Sheet Alloy 1050A H14/H24

Size	KG/Sheet
2000mm X 1000mm X 0.5mm	2.74
2500mm X 1250mm X 0.5mm	4.28
2000mm X 1000mm X 0.6mm	3.28
2500mm X 1250mm X 0.6mm	5.13
2000mm X 1000mm X 0.7mm	3.83
2500mm X 1250mm X 0.7mm	5.99
2000mm X 1000mm X 0.8mm	4.38
2500mm X 1250mm X 0.8mm	6.84
2438mm X 1219mm X 0.9mm	7.32
2000mm X 1000mm X 1.0mm	5.47
3000mm X 1000mm X 1.0mm	8.13
2500mm X 1250mm X 1.0mm	8.55
3000mm X 1250mm X 1.0mm	10.26
2500mm X 1000mm X 1.2mm	6.57
3000mm X 1000mm X 1.2mm	9.76
2438mm X 1219mm X 1.2mm	9.76
2500mm X 1250mm X 1.2mm	10.26
3000mm X 1250mm X 1.2mm	12.32
3658mm X 1250mm X 1.2mm	15.00
3000mm X 1500mm X 1.2mm	14.78
3658mm X 1500mm X 1.2mm	18.00
2000mm X 1000mm X 1.5mm	8.21
2500mm X 1000mm X 1.5mm	10.26
3000mm X 1000mm X 1.5mm	12.32
3100mm X 1000mm X 1.5mm	12.73
2500mm X 1250mm X 1.5mm	12.83
3000mm X 1250mm X 1.5mm	15.40
3250mm X 1250mm X 1.5mm	16.68
3500mm X 1250mm X 1.5mm	17.96
3658mm X 1250mm X 1.5mm	18.70
3750mm X 1250mm X 1.5mm	19.25
4000mm X 1250mm X 1.5mm	20.53
2500mm X 1500mm X 1.5mm	15.40
3000mm X 1500mm X 1.5mm	18.48
3658mm X 1500mm X 1.5mm	22.50
4000mm X 1500mm X 1.5mm	24.63
2438mm X 1219mm X 1.9mm	15.46
2500mm X 1250mm X 1.9mm	16.25
3100mm X 1250mm X 1.9mm	20.15
3000mm X 1500mm X 1.9mm	23.40
4000mm X 2000mm X 1.9mm	41.20
2000mm X 1000mm X 2.0mm	10.95
2500mm X 1000mm X 2.0mm	13.69
3000mm X 1000mm X 2.0mm	16.42
4000mm X 1000mm X 2.0mm	21.90
2500mm X 1250mm X 2.0mm	17.11
3000mm X 1250mm X 2.0mm	20.53
3100mm X 1250mm X 2.0mm	21.21
3250mm X 1250mm X 2.0mm	22.24
3500mm X 1250mm X 2.0mm	23.95
3658mm X 1250mm X 2.0mm	25.00
3750mm X 1250mm X 2.0mm	25.66
4000mm X 1250mm X 2.0mm	27.37
3000mm X 1400mm X 2.0mm	22.99
4000mm X 1400mm X 2.0mm	30.66
2500mm X 1500mm X 2.0mm	20.53
3000mm X 1500mm X 2.0mm	24.63
3100mm X 1500mm X 2.0mm	25.46
3250mm X 1500mm X 2.0mm	26.69
3500mm X 1500mm X 2.0mm	28.74
3658mm X 1500mm X 2.0mm	30.00
3750mm X 1500mm X 2.0mm	30.79
4000mm X 1500mm X 2.0mm	32.85
4000mm X 2000mm X 2.0mm	43.79
2438mm X 1219mm X 2.48mm	20.17

## Sheet



Aluminium Sheet Alloy 1050A H14/H24

Size	KG/Sheet
2000mm X 1000mm X 2.5mm	13.69
3000mm X 1000mm X 2.5mm	20.33
2500mm X 1250mm X 2.5mm	21.38
3000mm X 1500mm X 2.5mm	30.79
2438mm X 1219mm X 2.79mm	22.70
2438mm X 1219mm X 2.9mm	23.59
2500mm X 1250mm X 2.9mm	24.80
3100mm X 1250mm X 2.9mm	30.76
3000mm X 1500mm X 2.9mm	35.72
4000mm X 2000mm X 2.9mm	63.50
2000mm X 1000mm X 3.0mm	16.42
2500mm X 1000mm X 3.0mm	20.53
3000mm X 1000mm X 3.0mm	24.63
2500mm X 1250mm X 3.0mm	25.66
3000mm X 1250mm X 3.0mm	30.79
3100mm X 1250mm X 3.0mm	31.82
3250mm X 1250mm X 3.0mm	33.36
3500mm X 1250mm X 3.0mm	35.92
3658mm X 1250mm X 3.0mm	37.50
3750mm X 1250mm X 3.0mm	38.49
4000mm X 1250mm X 3.0mm	41.06
3000mm X 1400mm X 3.0mm	34.49
4000mm X 1400mm X 3.0mm	45.98
2500mm X 1500mm X 3.0mm	30.79
3250mm X 1500mm X 3.0mm	40.03
3000mm X 1500mm X 3.0mm	36.95
3100mm X 1500mm X 3.0mm	38.18
3500mm X 1500mm X 3.0mm	43.11
3658mm X 1500mm X 3.0mm	44.90
3750mm X 1500mm X 3.0mm	46.19
4000mm X 2000mm X 3.0mm	65.69

## Painted Sheet



Aluminium Painted Sheet, Alloy 3105/3003 H44 VC1 - White Painted and Vinyl Coated One Side

Size	KG/Sheet
2000mm X 1000mm X 0.5mm	2.80
2500mm X 1250mm X 0.5mm	

## Plate



Aluminium Plate Alloy 5083 0/H111

Size	KG/Plate
2500mm X 1250mm X 10.0mm	85
2500mm X 1250mm X 12.0mm	102
2500mm X 1250mm X 15.0mm	127
2500mm X 1250mm X 20.0mm	170
2500mm X 1250mm X 25.0mm	212



## Plate

Aluminium Plate Alloy 6082 T651

Size	KG/Plate
2500mm X 1250mm X 10.0mm	85
2500mm X 1250mm X 12.0mm	102



## Shate

Aluminium Shate Alloy 1050A H14

Size	KG/Sheet
2000mm X 1000mm X 4.0mm	21.60
3000mm X 1000mm X 4.0mm	32.52
2500mm X 1250mm X 4.0mm	34.21
3000mm X 1250mm X 4.0mm	40.65
2000mm X 1000mm X 5.0mm	27.00
2500mm X 1250mm X 5.0mm	42.77
2500mm X 1250mm X 6.0mm	51.32
2000mm X 1000mm X 6.0mm	32.85



## Diamond Bright

Aluminium Stucco Sheet Alloy 1050A H14

Size	KG/Plate
2500 X 1250 X 1.5mm	13.9
2500 X 1250 X 2.0mm	18.1
2500 X 1250 X 3.0mm	26.6

## Treadplate



Aluminium 5-Bar Treadplate Alloy 5754 H114

Size	KG/Plate
2438mm x 1219mm x 1.95mm	16.5
2438mm X 1219mm X 2.0mm	17.8
2500mm X 1250mm X 2.0mm	18.7
3000mm X 1500mm X 2.0mm	26.8
2438mm x 1219mm x 2.95mm	24.9
2000mm X 1000mm X 3.0mm	17.3
2438mm X 1219mm X 3.0mm	25.7
2500mm X 1250mm X 3.0mm	27.0
3000mm X 1500mm X 3.0mm	38.9
2438mm x 1219mm x 4.4mm	37.2
2000mm X 1000mm X 4.5mm	25.0
2438mm X 1219mm X 4.5mm	37.2
2500mm X 1250mm X 4.5mm	39.2
3000mm X 1500mm X 4.5mm	56.3
2438mm X 1219mm X 6.0mm	49.2
2500mm X 1250mm X 6.0mm	51.7
3000mm X 1500mm X 6.0mm	74.3

Aalco TripleGrip Aluminium Treadplate Alloy 5052 H32

Size	KG/Plate
2500 X 1250 X 1.5mm	13.9
2500 X 1250 X 2.0mm	18.1
2500 X 1250 X 3.0mm	26.6

# STAINLESS STEEL

## STAINLESS STEEL STANDARD PRODUCTS

Plate	Page 112
Circle Polished Sheet	Page 112
Sheet	Page 112
Treadplate	Page 112
Round Tube	Page 112
Square Tube	Page 113
Rectangular Tube	Page 113

## Plate



Stainless Steel Hot Rolled Plate Grades 1.4307 (304L) & 1.4404 (316L)

Size	KG/Plate
2000mm X 1000mm X 3.0mm	48
2500mm X 1250mm X 3.0mm	75
3000mm X 1500mm X 3.0mm	108
2000mm X 1000mm X 4.0mm	64
2500mm X 1250mm X 4.0mm	100
3000mm X 1500mm X 4.0mm	144
2000mm X 1000mm X 5.0mm	80
2500mm X 1250mm X 5.0mm	125
3000mm X 1500mm X 5.0mm	180
4000mm X 2000mm X 5.0mm	320
2000mm X 1000mm X 6.0mm	96
2500mm X 1250mm X 6.0mm	150
3000mm X 1500mm X 6.0mm	216
4000mm X 2000mm X 6.0mm	384
6000mm X 2000mm X 6.0mm	576
2000mm X 1000mm X 8.0mm	128
2500mm X 1250mm X 8.0mm	200
3000mm X 1500mm X 8.0mm	288
4000mm X 2000mm X 8.0mm	512
2000mm X 1000mm X 10.0mm	160
2500mm X 1250mm X 10.0mm	250
3000mm X 1500mm X 10.0mm	360
4000mm X 2000mm X 10.0mm	640
6000mm X 2000mm X 10.0mm	960
2500mm X 1250mm X 12.0mm	300
3000mm X 1500mm X 12.0mm	432
4000mm X 2000mm X 12.0mm	768
2500mm X 1250mm X 15.0mm	375
3000mm X 1500mm X 15.0mm	557
2500mm X 1250mm X 20.0mm	500
3000mm X 1500mm X 20.0mm	720
2500mm X 1250mm X 25mm	625
3000mm X 1500mm X 25mm	900
2500mm X 1250mm X 30mm	750
3000mm X 1500mm X 30mm	1080

## Circle Polished Sheet

Circle Polished Stainless Steel Sheet Grade 1.4301 (304) - 50mm Circles

Size	KG/Sheet
2500mm x 1250mm x 0.9mm	23.0
2500mm x 1250mm x 1.2mm	30.7
2500mm x 1250mm x 1.5mm	38.4
2500mm x 1250mm x 2.0mm	51.2

Circle Polished Stainless Steel Sheet Grade 1.4016 (430) - 50mm Circles

Size	KG/Sheet
2500mm x 1250mm x 0.9mm	23.0

## Sheet



Stainless Steel Sheet Grade 1.4301 (304) - Polished 240 Grit and PVC Coated 1 Side

Size	KG/Sheet
2000mm X 1000mm X 0.7mm	11.5
2500mm X 1250mm X 0.7mm	17.9
2000mm X 1000mm X 0.9mm	14.7
2500mm X 1250mm X 0.9mm	23.0
3000mm X 1500mm X 0.9mm	33.2
2000mm X 1000mm X 1.0mm	16.4
2500mm X 1250mm X 1.0mm	25.6
2000mm X 1000mm X 1.2mm	19.6
2500mm X 1250mm X 1.2mm	30.7
3000mm X 1500mm X 1.2mm	44.2
2000mm X 1000mm X 1.5mm	24.6
2500mm X 1250mm X 1.5mm	38.4
3000mm X 1500mm X 1.5mm	55.3
2000mm X 1000mm X 2.0mm	32.7
2500mm X 1250mm X 2.0mm	51.2
3000mm X 1500mm X 2.0mm	73.7
2000mm X 1000mm X 2.5mm	40.9
2500mm X 1250mm X 2.5mm	63.9
3000mm X 1500mm X 2.5mm	92.1
2000mm X 1000mm X 3.0mm	49.6
2500mm X 1250mm X 3.0mm	77.5
3000mm X 1500mm X 3.0mm	111.6

## Treadplate

Stainless Steel Treadplate BSEN 10088: Part 3 / ASTM A793 / DIN 59220 (T) Pattern 1 Grade AISI 304

Size	KG/Plate
3000mm X 1000mm X 3.0mm	78
3000mm X 1250mm X 3.0mm	98
3000mm X 1250mm X 4.5mm	143
3000mm X 1250mm X 6.0mm	180

## Round Tube



Round Tube Grades 304 & 316 - Mirror Polish

Size	KG/Metre
½" OD X 1.2mm	0.44
½" OD X 1.5mm	0.54
½" OD X 1.5mm	0.42
¾" OD X 18SWG	0.54
¾" OD X 1.5mm	0.65
¾" OD X 1.2mm	0.63
¾" OD X 1.5mm	0.77
¾" OD X 2.0mm	1.00
19mm OD X 1.2mm	0.53
1" OD X 1.2mm	0.72
1" OD X 1.5mm	0.89
1" OD X 2.0mm	1.17
1¼" OD X 1.2mm	0.91
1¼" OD X 1.5mm	1.13
1½" OD X 1.2mm	1.10
1½" OD X 1.5mm	1.40
1½" OD X 2.0mm	1.80
1¾" OD X 1.5mm	1.60
2" OD X 1.2mm	1.48
2" OD X 1.5mm	1.84
2" OD X 2.0mm	2.44
2" OD X 3.0mm	3.56
2½" OD X 1.5mm	2.31
3" OD X 1.5mm	2.78

Round Tube Grades 304 & 316 - Brushed Finish

Size	KG/Metre
¾" OD X 1.5mm	0.65
1" OD X 1.5mm	0.89
1½" OD X 1.5mm	1.36
1½" OD X 2.0mm	1.79
1½" OD X 3.0mm	2.61
2" OD X 1.5mm	1.84
2" OD X 2.0mm	2.42
2" OD X 3.0mm	3.56
3" OD X 3.0mm	5.45
4" OD X 3.0mm	7.34

## Square Tube



Square Tube Grade 1.4301 (304) - Descaled Finish

Size	KG/Metre
12.7mm X 12.7mm X 1.2mm	0.45
12.7mm X 12.7mm X 1.5mm	0.55
40mm X 40mm X 4.0mm	4.81
50mm X 50mm X 4.0mm	5.96
50mm X 50mm X 5.0mm	7.41
60mm X 60mm X 4.0mm	7.22
60mm X 60mm X 5.0mm	8.90
80mm X 80mm X 4.0mm	9.82
80mm X 80mm X 5.0mm	12.40
100mm X 100mm X 4.0mm	12.40
100mm X 100mm X 5.0mm	15.38
100mm X 100mm X 6.0mm	17.50
100mm X 100mm X 8.0mm	23.26
120mm X 120mm X 3.0mm	11.80
120mm X 120mm X 4.0mm	15.00
120mm X 120mm X 5.0mm	18.66
120mm X 120mm X 6.0mm	21.20
150mm X 150mm X 3.0mm	14.06

Square Tube Grade 1.4301 (304) - Brushed Finish

Size	KG/Metre
150mm X 150mm X 4.0mm	18.62
150mm X 150mm X 5.0mm	22.40
150mm X 150mm X 6.0mm	27.36
150mm X 150mm X 8.0mm	34.30
150mm X 150mm X 10.0mm	41.65
200mm X 200mm X 3.0mm	18.62
200mm X 200mm X 5.0mm	30.40
200mm X 200mm X 6.0mm	36.09
200mm X 200mm X 8.0mm	47.10
200mm X 200mm X 10.0mm	57.60

Square Tube Grade 1.4404 (316) - Descaled Finish

Size	KG/Metre
80mm X 80mm X 4.0mm	9.82
100mm X 100mm X 4.0mm	12.40
100mm X 100mm X 5.0mm	15.38
100mm X 100mm X 6.0mm	17.50
100mm X 100mm X 8.0mm	21.60
120mm X 120mm X 4.0mm	14.77
120mm X 120mm X 5.0mm	18.66
120mm X 120mm X 6.0mm	21.20
150mm X 150mm X 4.0mm	18.60
150mm X 150mm X 5.0mm	23.08
150mm X 150mm X 6.0mm	27.51

## Rectangular Tube



Rectangular Tube Grade 304 - Brushed Finish

Size	KG/Metre
20mm X 10mm X 1.5mm	0.66
30mm X 10mm X 1.2mm	0.73
30mm X 10mm X 1.5mm	0.90
30mm X 15mm X 1.5mm	1.00
30mm X 20mm X 1.5mm	1.15
40mm X 15mm X 1.5mm	1.26
40mm X 20mm X 1.2mm	1.11
40mm X 20mm X 1.5mm	1.37
40mm X 20mm X 2.0mm	1.84
50mm X 25mm X 1.2mm	1.42
50mm X 25mm X 1.5mm	1.76
50mm X 25mm X 2.0mm	2.32
50mm X 25mm X 3.0mm	3.46
50mm X 30mm X 1.5mm	1.86
50mm X 30mm X 2.0mm	2.45
50mm X 30mm X 3.0mm	3.76
60mm X 20mm X 1.5mm	1.86
60mm X 30mm X 1.5mm	2.12
60mm X 30mm X 2.0mm	2.80
60mm X 30mm X 3.0mm	4.13
60mm X 40mm X 1.5mm	2.33
60mm X 40mm X 2.0mm	3.08
60mm X 40mm X 3.0mm	4.65
80mm X 40mm X 1.5mm	2.80
80mm X 40mm X 2.0mm	3.71
80mm X 40mm X 3.0mm	5.49
80mm X 60mm X 3.0mm	6.53
100mm X 50mm X 2.0mm	4.68
100mm X 40mm X 3.0mm	6.53
100mm X 50mm X 3.0mm	6.95
100mm X 60mm X 3.0mm	7.53
120mm X 60mm X 3.0mm	8.39

Rectangular Tube Grade 316 - Dull Polish

Size	KG/Metre
40mm X 20mm X 1.5mm	1.37
50mm X 25mm X 1.5mm	1.76
60mm X 40mm X 2.0mm	3.06
80mm X 40mm X 2.0mm	3.71
80mm X 40mm X 3.0mm	5.49
100mm X 50mm X 2.0mm	4.68
100mm X 50mm X 3.0mm	6.95

# WE'VE GOT YOU COVERED

Aalco has 18 service centres nationwide which offer reliable on-time delivery anywhere in the UK.

Each centre is stocked to meet the immediate needs of customers in the local area backed by extensive bulk stock ranges held in our central warehouse.

All standard and special stock items are available for next day delivery, with flexible scheduling all part of the Aalco difference.



**ABERDEEN**  
Unit 9B, Peterseat Drive  
Peterseat Park  
Altens Industrial Estate  
Aberdeen  
AB12 3HT  
☎ 01224 854810  
☎ 01224 871982  
✉ aberdeen@aalco.co.uk

**AYLESBURY**  
Unit 1, Premus  
Coldharbour Way  
Aylesbury  
Buckinghamshire  
HP19 8AP  
☎ 01296 461700  
☎ 01296 339923  
✉ aylesbury@aalco.co.uk

**BELFAST**  
The Belfast Metal Centre  
Unit 4, Mallusk Way  
Blackwater Industrial Estate  
Mallusk, Newtownabbey  
BT36 4AA  
☎ 02890 838 838  
☎ 02890 837 837  
✉ belfast@aalco.co.uk

**BIRMINGHAM**  
Shelah Road  
Halesowen  
West Midlands  
B63 3PH  
☎ 0121 585 3600  
☎ 0121 585 6864  
✉ birmingham@aalco.co.uk

**CHEPSTOW**  
Avenue West  
Newhouse Park Estate  
Chepstow  
Monmouthshire  
NP16 6UD  
☎ 01291 638 638  
☎ 01291 638 600  
✉ chepstow@aalco.co.uk

**DYFED**  
Units 3-4  
Capel Hendre Industrial Estate  
Ammanford  
Carmarthenshire  
SA18 3SJ  
☎ 01269 842044  
☎ 01269 845276  
✉ dyfed@aalco.co.uk

**ESSEX**  
Unit 2, Carnival Park  
Festival Way  
Basildon  
Essex  
SS14 3WN  
☎ 01268 884200  
☎ 01268 884220  
✉ essex@aalco.co.uk

**GLASGOW**  
117 Clydesmill Place  
Cambuslang Investment Park  
Glasgow  
G32 8RF  
☎ 0141 646 3200  
☎ 0141 646 3260  
✉ glasgow@aalco.co.uk

**HULL**  
Saxon Way  
Priory Park West  
Hessle  
Hull  
HU13 9PB  
☎ 01482 626262  
☎ 01482 626263  
✉ hull@aalco.co.uk

**LEEDS**  
Unit 1  
Revie Road off Elland Road  
Leeds  
LS11 8JG  
☎ 0113 276 3300  
☎ 0113 276 0382  
✉ leeds@aalco.co.uk

**LIVERPOOL**  
207 Great Howard Street  
Liverpool  
L5 9ZH  
☎ 0151 207 3551  
☎ 0151 207 2657  
✉ liverpool@aalco.co.uk

**MANCHESTER**  
Express Trading Estate  
Stone Hill Road  
Farnworth  
Bolton  
BL4 9NN  
☎ 01204 863456  
☎ 01204 863430  
✉ manchester@aalco.co.uk

**NEWCASTLE**  
First Avenue  
Team Valley Trading Estate  
Gateshead  
Tyne & Wear  
NE11 0NU  
☎ 0191 491 1133  
☎ 0191 491 1177  
✉ newcastle@aalco.co.uk

**NORWICH**  
Roundtree Way  
Mousehold Lane  
Norwich  
NR7 8SR  
☎ 01603 787878  
☎ 01603 789999  
✉ norwich@aalco.co.uk

**NOTTINGHAM**  
Harrimans Lane  
Dunkirk  
Nottingham  
NG7 2SD  
☎ 0115 988 2600  
☎ 0115 988 2636  
✉ nottingham@aalco.co.uk

**SOUTHAMPTON**  
Unit 2  
Airways Distribution Park  
Wide Lane  
Eastleigh  
SO18 2RT  
☎ 023 8087 5200  
☎ 023 8087 5275  
✉ southampton@aalco.co.uk

**STOKE**  
Unit F, Forge Way  
Brown Lees Industrial Estate  
Biddulph  
Stoke-on-Trent  
ST8 7DN  
☎ 01782 375700  
☎ 01782 375701  
✉ stoke@aalco.co.uk

**SWANLEY**  
Unit 7  
The Interchange  
Wested Lane  
Swanley, Kent  
BR8 8TE  
☎ 01322 610900  
☎ 01322 610910  
✉ swanley@aalco.co.uk

**DUBLIN**  
Amari House,  
Fonthill Industrial Park,  
Clondalkin,  
Dublin 22,  
D22 W201  
☎ +353 1 6298 600  
☎ +353 1 6299 200  
✉ dublin@amari-dublin.com

**CORK**  
Unit 8 & 9  
South Ring West Business Park,  
Tramore Road  
Cork,  
T12 PP58  
☎ +353 21 4310 520  
☎ +353 21 4310 519  
✉ cork@amari-cork.com

## AMARI IRELAND LTD

Blank lined area for notes on page 116.

Blank lined area for notes on page 117.

Blank lined area for notes on page 118.

Blank lined area for notes on page 119.

# aalco®

Your first choice supplier  
for all your metal needs

## LET'S BUILD IT TOGETHER

The Road Transport Industry is a fast-paced and expanding marketplace with constantly evolving challenges and the need for innovation and product development to meet them. At Aalco we aim to provide a comprehensive range of products to fulfil market demands, from flooring to roofing and just about everything in between.



FLEXIBLE. RESPONSIVE. TRUSTED.

 [aalco.co.uk](http://aalco.co.uk)