

aalco[®]

The UK's largest independent multi-metals stockholder



Stainless Steel High Pressure Fittings

Threaded Fittings



90° Elbow



45° Elbow



Equal Tee



Reducing Tee



Cap



Full Coupling



Half Coupling



Union

Socket Weld Fittings



90° Elbow



45° Elbow



Equal Tee



Reducing Tee



Full Coupling



Union



Cap

The information contained herein is based on our present knowledge and experience and is given in good faith. However, no liability will be accepted by the Company in respect of any action taken by any third party in reliance thereon.

As the products detailed herein may be used for a wide variety of purposes and as the Company has no control over their use, the Company specifically excludes all conditions or warranties expressed or implied by statute or otherwise as to dimensions, properties and/or their fitness for any particular purpose. Any advice given by the Company to any third party is given for that party's assistance only and without any liability on the part of the Company.

Any contract between the Company and a customer will be subject to the Company's Conditions of Sale. The extent of the Company's liabilities to any customer is clearly set out in those Conditions; a copy of which is available on request.

Dimensions: Please note that all dimensions are approximate and may vary according to manufacturing tolerances. (Issue 2 - March 2012)

aalco[®]

The UK's largest independent
multi-metals stockholder

Stainless Steel High Pressure Fittings

To complement the already extensive stock range of Stainless Steel ANSI Pipe, Fittings and Flanges, Aalco now holds a range of ANSI B16.11 3000lb High Pressure Fittings.

The range includes 3000lb Socket Weld fittings and 3000lb NPT Threaded Fittings, both in grades 304L and 316L.

If you do not find what you require here, please call your local Service Centre, listed on the back cover, as the range is always expanding.

AALCO is a registered trademark of Aalco Metals Ltd



90° Elbow

SOCKET WELDING - Dimensions in millimeters

DN	Nominal Pipe Size	B	C		D	A	G (min)	J (min)	Grades Available	
			(Avg)	(Min)					304L	316L
15	½	21.8	4.67	4.09	15.8	15.5	3.73	9.5	✓	✓
20	¾	27.2	4.90	4.27	21.0	19.0	3.91	12.5	✓	✓
25	1	33.9	5.69	4.98	26.7	22.5	4.55	12.5	✓	✓
32	1¼	42.7	6.07	5.28	35.1	27.0	4.85	12.5	✓	✓
40	1½	48.8	6.35	5.54	40.9	32.0	5.08	12.5	✓	✓
50	2	61.2	6.93	6.04	52.5	38.0	5.54	16.0	✓	✓



45° Elbow

SOCKET WELDING - Dimensions in millimeters

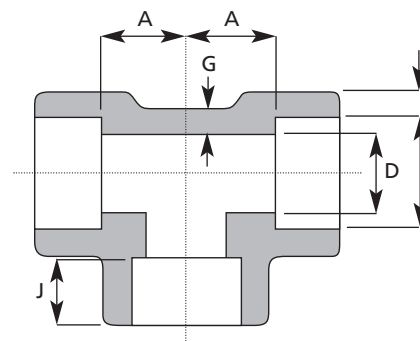
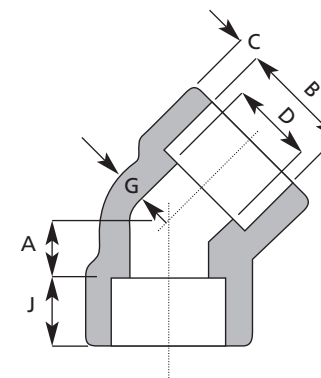
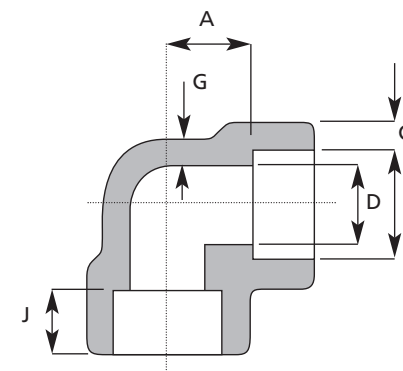
DN	Nominal Pipe Size	B	C		D	A	G (min)	J (min)	Grades Available	
			(Avg)	(Min)					304L	316L
15	½	21.8	4.67	4.09	15.8	11.0	3.73	9.5	✓	-
20	¾	27.2	4.90	4.27	21.0	13.0	3.91	12.5	✓	-
25	1	33.9	5.69	4.98	26.7	14.0	4.55	12.5	✓	✓
40	1½	48.8	6.35	5.54	40.9	20.5	5.08	12.5	✓	✓
50	2	61.2	6.93	6.04	52.5	25.5	5.54	16.0	✓	✓



Equal Tee

SOCKET WELDING - Dimensions in millimeters

DN	Nominal Pipe Size	B	C		D	A	G (min)	J (min)	Grades Available	
			(Avg)	(Min)					304L	316L
15	½	21.8	4.67	4.09	15.8	15.5	3.73	9.5	✓	-
20	¾	27.2	4.90	4.27	21.0	19.0	3.91	12.5	✓	✓
25	1	33.9	5.69	4.98	26.7	22.5	4.55	12.5	✓	✓
40	1½	48.8	6.35	5.54	40.9	32.0	5.08	12.5	✓	✓
50	2	61.2	6.93	6.04	52.5	38.0	5.54	16.0	✓	✓

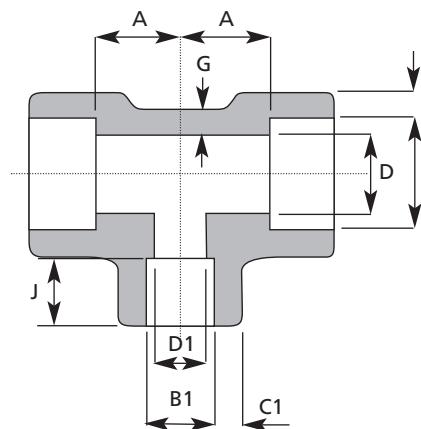




Reducing Tees

SOCKET WELDING - Dimensions in millimeters

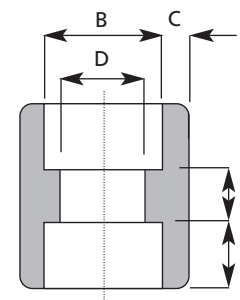
Nom. Pipe Size		Flow						Branch					Grades Available	
Flow	Branch	B	C		D	A	G (min)	B1	C1		D1	J (min)	304L	316L
			(Avg)	(Min)					(Avg)	(Min)				
¾	½	27.2	4.90	4.27	21.0	19.0	3.91	21.8	4.01	3.5	15.8	9.5	-	✓
1	½	33.9	5.69	4.98	26.7	22.5	4.55	21.8	4.01	3.5	15.8	9.5	✓	✓
1	¾	33.9	5.69	4.98	26.7	2.5	4.55	27.2	4.90	4.27	21.0	12.5	✓	✓
1½	½	48.8	6.35	5.54	40.9	32.0	5.08	21.8	4.01	3.5	15.8	9.5	✓	✓
1½	¾	48.8	6.35	5.54	40.9	32.0	5.08	27.2	4.90	4.27	21.0	12.5	✓	✓
1½	1	48.8	6.35	5.54	40.9	32.0	5.08	33.9	5.69	4.98	26.7	12.5	-	✓
2	½	61.2	6.93	6.04	52.5	38.0	5.54	21.8	4.01	3.5	15.8	9.5	✓	✓
2	¾	61.2	6.93	6.04	52.5	38.0	5.54	27.2	4.90	4.27	21.0	12.5	✓	✓
2	1	61.2	6.93	6.04	52.5	38.0	5.54	33.9	5.69	4.98	26.7	12.5	✓	✓
2	1½	61.2	6.93	6.04	52.5	38.0	5.54	48.8	6.35	5.54	40.9	12.5	-	✓



Full Coupling

SOCKET WELDING - Dimensions in millimeters

DN	Nominal Pipe Size	B	C		D	E (min)	J (min)	Grades Available	
			(Avg)	(Min)				304L	316L
15	½	21.8	4.67	4.09	15.8	9.5	9.5	✓	✓
20	¾	27.2	4.90	4.27	21.0	9.5	12.5	✓	✓
25	1	33.9	5.69	4.98	26.7	12.5	12.5	✓	✓
32	1½	42.7	6.07	5.28	35.1	12.5	12.5	✓	-
40	1½	48.8	6.35	5.54	40.9	12.5	12.5	✓	✓
50	2	61.2	6.93	6.04	52.5	19.0	16.0	✓	✓





Union

SOCKET WELDING - Dimensions in millimeters

Nom. Pipe Size	Pipe End (min) A	Socket Bore B	Socket Wall (min) C	Water Way Bore D	Laying Lngth E	Male Flange (min) F	Nut (min) G	Thrds / 25.4mm	Bearing (min) J	Socket Depth K	Length Assem. Nom. L	Clear Assem. Nut N	Grades Available	
													304L	316L
½	31.2	22.23 21.72	4.09	16.56 15.04	26.9 20.6	3.68	3.68	14	1.50	9.7	49.0	58.4	-	✓
¾	37.1	27.56 27.05	4.27	21.69 20.17	31.8 25.4	4.06	4.06	11	1.68	12.7	56.9	66.0	✓	✓
1	45.5	34.29 33.78	4.98	27.41 25.88	34.3 26.2	4.57	4.45	11	1.85	12.7	62.0	78.7	✓	✓
1½	61.5	49.15 48.64	5.54	41.66 40.13	42.2 34.0	5.84	5.59	10	2.31	12.7	76.5	111.8	✓	✓
2	75.2	61.62 61.11	6.05	53.26 51.74	45.6 37.3	6.60	6.35	10	2.69	15.7	86.1	132.1	✓	✓



90° Elbow

THREADED - Dimensions in millimeters

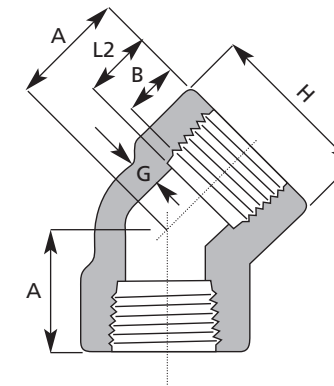
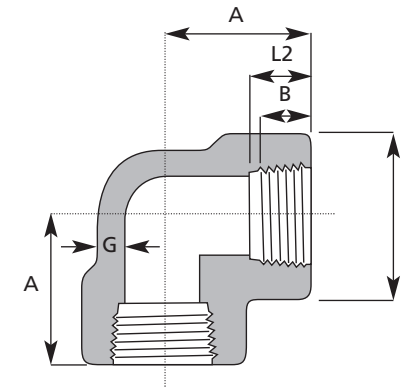
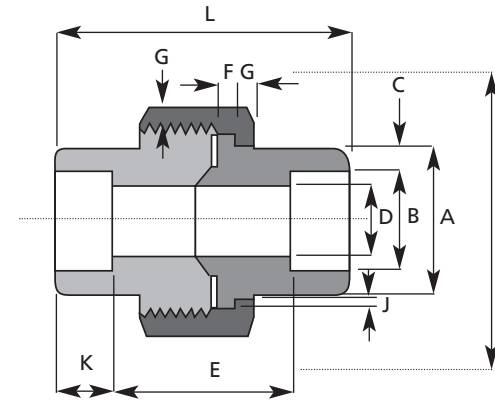
DN	Nominal Pipe Size	Length of Thread (min)		A	G (min)	H	Grades Available	
		B	L2				304L	316L
15	½	10.9	13.6	25	4.09	38	✓	✓
20	¾	12.7	13.9	28	4.32	46	✓	✓
25	1	14.7	17.3	33	4.98	56	✓	✓
32	1½	17.0	18.0	51	5.28	62	✓	✓
40	1½	17.8	18.4	60	5.56	75	✓	✓
50	2	19.0	19.2	64	7.14	84	✓	✓



45° Elbow

THREADED - Dimensions in millimeters

DN	Nominal Pipe Size	Length of Thread (min)		A	G (min)	H	Grades Available	
		B	L2				304L	316L
15	½	10.9	13.6	25	4.09	38	✓	-
20	¾	12.7	13.9	28	4.32	46	✓	-
25	1	14.7	17.3	33	4.98	56	✓	-
40	1½	17.8	18.4	43	5.56	75	✓	-
50	2	19.0	19.2	44	7.14	84	✓	-



Threads
Minimum 4 Full Threads
Engagement Class 2A/2B fit
ANSI B1:1



Equal Tee

THREADED - Dimensions in millimeters

DN	Nominal Pipe Size	Length of Thread (min)		A	G (min)	H	Grades Available	
		B	L2				304L	316L
15	½	10.9	13.6	33	4.09	38	✓	✓
20	¾	12.7	13.9	38	4.32	46	✓	✓
25	1	14.7	17.3	44	4.98	56	✓	✓
40	1½	17.8	18.4	60	5.56	75	✓	-
50	2	19.0	19.2	64	7.14	84	✓	✓



Reducing Tees

THREADED - Dimensions in millimeters

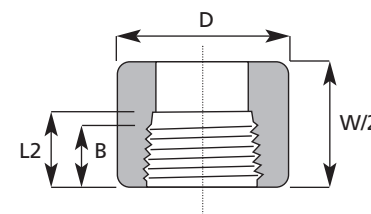
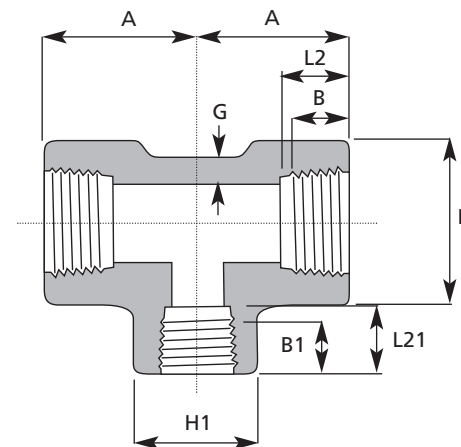
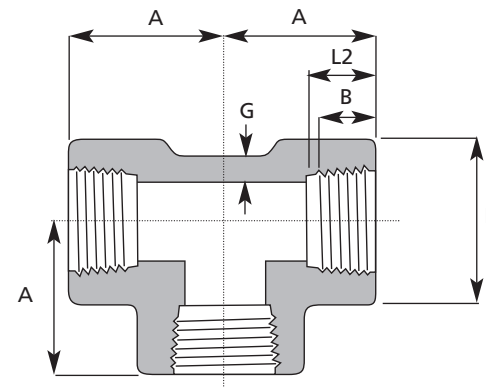
Nom. Pipe Size		Length of Thread (min)				Flow			Branch	Grades Available
Flow	Branch	Flow		Branch		A	G (min)	H	H1	316L
		B	L2	B1	L21					
¾	½	12.7	13.9	10.9	13.6	38	4.32	46	38	✓
1	½	14.7	17.3	10.9	13.6	44	4.98	56	38	✓



Half Coupling

THREADED - Dimensions in millimeters

DN	Nominal Pipe Size	Length of Thread (min)		W	D	Grades Available	
		B	L2			304L	316L
6	¼	6.4	6.7	32	16	-	✓
10	¾	9.1	10.4	38	22	-	✓
15	½	10.9	13.6	48	28	-	✓
20	¾	12.7	13.9	51	35	-	✓
25	1	14.7	17.3	60	44	-	✓
40	1½	17.8	18.4	79	64	-	✓





Full Coupling

THREADED - Dimensions in millimeters

DN	Nominal Pipe Size	Length of Thread (min)		W	D	Grades Available	
		B	L2			304L	316L
6	¼"	6.4	6.7	32	16	-	✓
8	¼"	8.1	10.2	35	19	-	✓
10	¾"	9.1	10.4	38	22	-	✓
15	½"	10.9	13.6	48	28	✓	✓
20	¾"	12.7	13.9	51	35	✓	✓
25	1"	14.7	17.3	60	44	✓	✓
32	1¼"	17.0	18.0	67	57	✓	-
40	1½"	17.8	18.4	79	64	✓	✓
50	2"	19.0	19.2	86	76	✓	✓



Union

THREADED - Dimensions in millimeters

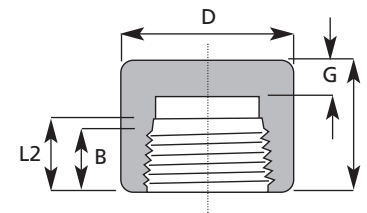
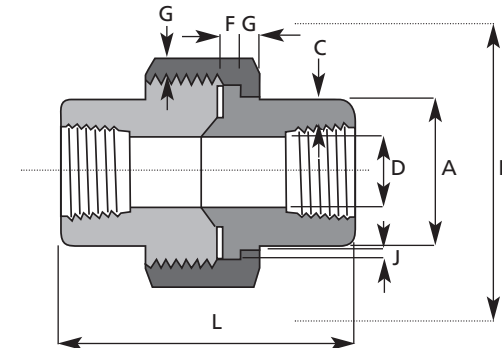
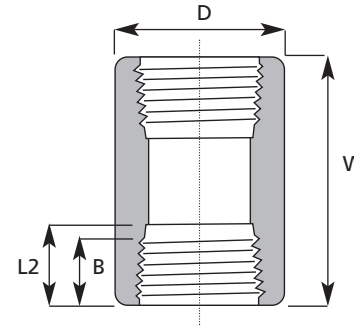
Nom. Pipe Size	Pipe End (min) A	Wall (min) C	Water Way Bore D	Male Flange (min) F	Nut (min) G	Thrds / 25.4mm	Bearing (min) J	Length Assem. Nom. L	Clear Assem. Nut N	Grades Available	
										304L	316L
½"	27.7	3.73	17.86 17.07	3.68	3.68	14	1.50	49	58.4	-	✓
¾"	33.5	3.91	23.01 21.39	4.06	4.06	11	1.68	56.9	66.0	✓	✓
1"	41.4	4.55	28.98 27.74	4.57	4.45	11	1.85	62.0	78.7	✓	✓
1¼"	50.5	4.85	37.69 35.36	5.33	5.21	10	2.13	71.1	94.0	-	✓
1½"	57.2	5.08	43.54 41.20	5.84	5.59	10	2.31	76.5	111.8	✓	✓
2"	70.1	5.54	55.58 52.12	6.60	6.35	10	2.69	86.1	132.1	✓	✓



Cap

THREADED - Dimensions in millimeters

DN	Nominal Pipe Size	Length of Thread (min)		P	D	G (min)	Grades Available	
		B	L2				304L	316L
15	½"	10.9	13.6	32	28	6.4	-	✓
20	¾"	12.7	13.9	37	35	6.4	-	✓
50	2"	19.0	19.2	48	76	12.7	-	✓



Threads
Minimum 4 Full Threads
Engagement Class 2A/2B fit
ANSI B1:1



Hexagon Nipple

THREADED - Dimensions in millimeters

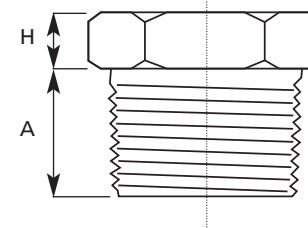
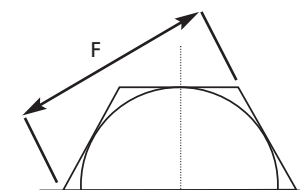
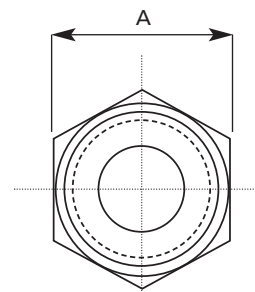
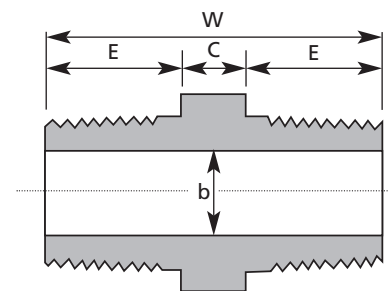
DN	Nominal Pipe Size	A (Min)	W (Min)	E (Min)	b	C (Min)	Grades Available	
							304L	316L
6	¼	11	26	10	5	6	-	✓
8	¼	15	36	15	8	6	-	✓
10	¾	18	40	16	11	8	-	✓
15	½	22	48	20	14	8	-	✓
20	¾	27	52	21	19	10	-	✓
25	1	35	60	25	24	10	-	✓
40	1½	50	68	26	38	16	-	✓
50	2	62	71	27	49	17	-	✓



Hexagon Plug

THREADED - Dimensions in millimeters

DN	Nominal Pipe Size	A (Min)	F (Nom)	H (Min)	Grades Available	
					304L	316L
6	¼	10	11	6	-	✓
8	¼	11	16	6	-	✓
10	¾	13	18	8	-	✓
15	½	14	22	8	-	✓
20	¾	16	27	10	-	✓
25	1	19	36	10	-	✓
40	1½	21	50	16	-	✓
50	2	22	65	18	-	✓



aalco[®]

Stainless Steel High Pressure Fittings



As one of the largest independent metal stockholders in the UK, we have a lot to offer our customers:

- An extensive inventory of Aluminium, Copper, Brass and bronze in all semi-finished forms
- A wide range of grades / alloys in all shapes and sizes
- A comprehensive processing service which includes polishing, coating, blanking and 'cut to length'
- A knowledgeable and dedicated workforce with nationwide coverage provided by our 18 Service Centres
- Reliable on-time delivery of orders

For further information, please contact your local Aalco Service Centre, or visit our website

www.aalco.co.uk

ABERDEEN

Tel 01224 854810

e-mail aberdeen@aalco.co.uk

AYLESBURY

Tel 01296 461700

e-mail aylesbury@aalco.co.uk

BELFAST

Tel 02890 838838

e-mail belfast@aalco.co.uk

BIRMINGHAM

Tel 0121 585 3600

e-mail birmingham@aalco.co.uk

CHEPSTOW

Tel 01291 638638

e-mail chepstow@aalco.co.uk

DYFED

Tel 01269 842044

e-mail dyfed@aalco.co.uk

ESSEX

e-mail essex@aalco.co.uk

GLASGOW

Tel 0141 646 3200

e-mail glasgow@aalco.co.uk

HULL

Tel 01482 626262

e-mail hull@aalco.co.uk

LEEDS

Tel 0113 276 3300

e-mail leeds@aalco.co.uk

LIVERPOOL

Tel 0151 207 3551

e-mail liverpool@aalco.co.uk

MANCHESTER

Tel 01204 863456

e-mail manchester@aalco.co.uk

NEWCASTLE

Tel 0191 4911133

e-mail newcastle@aalco.co.uk

NORWICH

Tel 01603 787878

e-mail norwich@aalco.co.uk

NOTTINGHAM

Tel 0115 988 2600

e-mail nottingham@aalco.co.uk

PLYMOUTH

Tel 01752 770877

e-mail plymouth@aalco.co.uk

SOUTHAMPTON

Tel 02380 875200

e-mail southampton@aalco.co.uk

STOKE

Tel 01782 375700

e-mail stoke@aalco.co.uk

SWANLEY

Tel 01322 610900

e-mail swanley@aalco.co.uk